

# HOT ROD 500S

---

Spare Parts .....	1
Figure A: Machine Assembly .....	1
Figure B: Machine Assembly .....	3
Miscellaneous Items (not shown in figure A, B) .....	3
Electrical Schematic .....	4
CODE: 50732 .....	4



# Spare Parts

SP50732 REV07  
07/24

ASSEMBLY PAGE NAME			Machine Assembly	Machine Assembly	Miscellaneous items			
<b>CODE NO.:</b>	<b>K NO.:</b>	<b>FIGURE NO.:</b>	<b>A</b>	<b>B</b>	<b>-</b>			
50732	K14089-1	HOT ROD 500S 380/440V	1	1	1			

\*items highlighted in bold are recommended spare parts

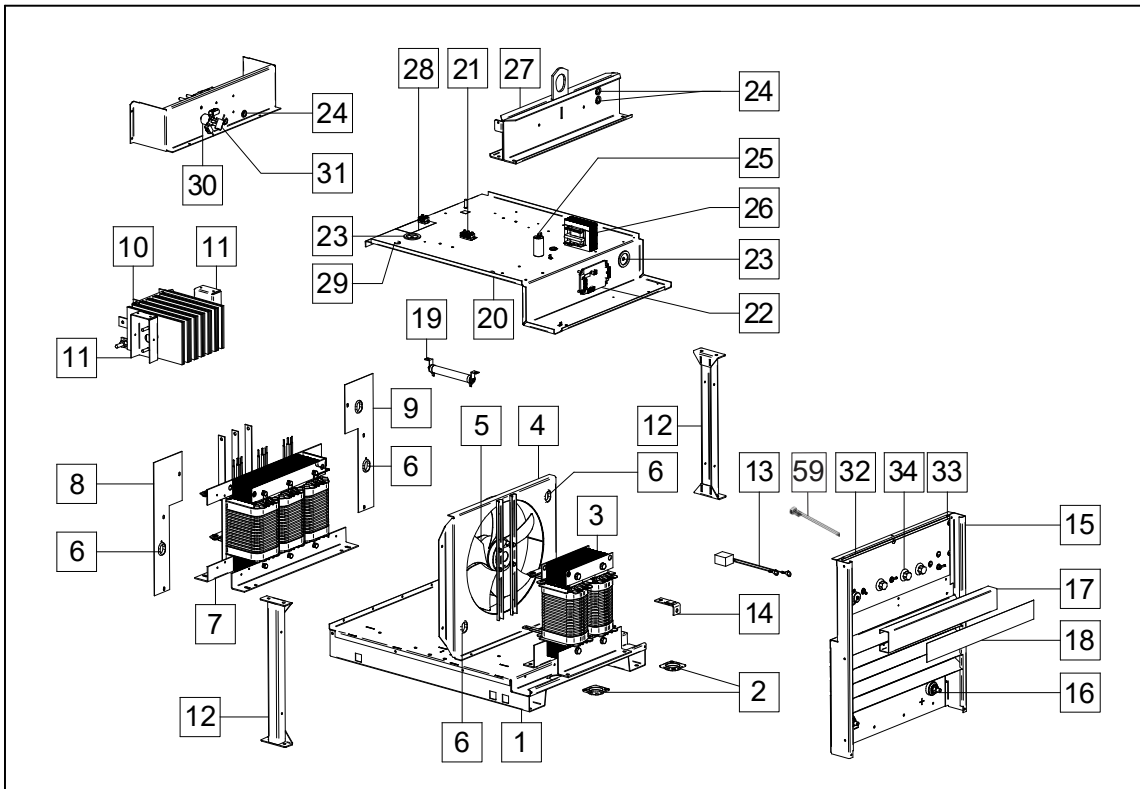


Figure A.

Figure A: Machine Assembly

Item	Description	Part Number	QTY	1	2	3	4	5	6	7
1	BASE PANEL	R-3019-233-1/08R	1	X						
2	CABLE BUSH	R-2013-092-1R	2	X						
3	CHOKE L1	R-4034-112-1R	1	X						
	TEMPERATURE SENSOR 160°C	1115-769-112R	1	X						
4	PARTITION	R-3019-235-1/08R	1	X						
5	<b>FAN</b>	<b>R-8040-150-2R</b>	<b>1</b>	<b>X</b>						
6	RUBBER CABLE BUSH	1373-111-331R	6	X						
7	TRANSFORMER T1	R-4034-111-1R	1	X						
8	AIR DEFLECTOR	R-1019-266-2/08R	1	X						
9	AIR DEFLECTOR	R-1019-266-1/08R	1	X						
10	RECTIFIER SET V	R-0010-099-3R	1	X						
	TEMPERATURE SENSOR 80°C	1115-769-016R	1	X						

11	BRACKET	R-1019-265-1/08R	2	X						
12	BRACKET	R-3019-246-1/08R	2	X						
13	FILTER	R-0010-376-1R	1	X						
14	SHUNT	0941-712-031R	1	X						
15	FRONT PANEL	R-3019-234-1R	1	X						
16	SOCKET	R-8040-272-1R	2	X						
17	COVER	R-1012-448-1/02R	1	X						
18	STICKER	R-0010-380-1R	1	X						
19	RESISTOR	1158-112-700R	1	X						
20	SHELF	R-3019-239-1/02R	1	X						
21	TERMINAL BLOCK	1131-990-022R	5	X						
<b>22</b>	<b>P.C. BOARD</b>	<b>R-6042-011-3R</b>	<b>1</b>	<b>X</b>						
23	RUBBER CABLE BUSH	1361-599-131R	2	X						
24	RUBBER CABLE BUSH	1373-182-002R	5	X						
25	CAPACITOR C1	1158-121-000R	1	X						
<b>26</b>	<b>TRANSFORMER T2</b>	<b>R-4034-136-1R</b>	<b>1</b>	<b>X</b>						
27	BRACKET	R-3019-236-1/08R	1	X						
28	STICKER	R-0010-365-1R	1	X						
29	HOLE PLUG	1361-599-197R	2	X						
30	STAND-OFF INSULATOR	1361-599-602R	1	X						
31	CAPACITOR C2, C3, C4	1158-125-373R	3	X						
32	FRONT PANEL	R-3019-238-1/08R	1	X						
33	STICKER	R-0010-379-1R	1	X						
34	KNOBS	9ET10491R	3	X						
59	HARNESS OF CAPACITORS	R-5041-628-3	1	X						

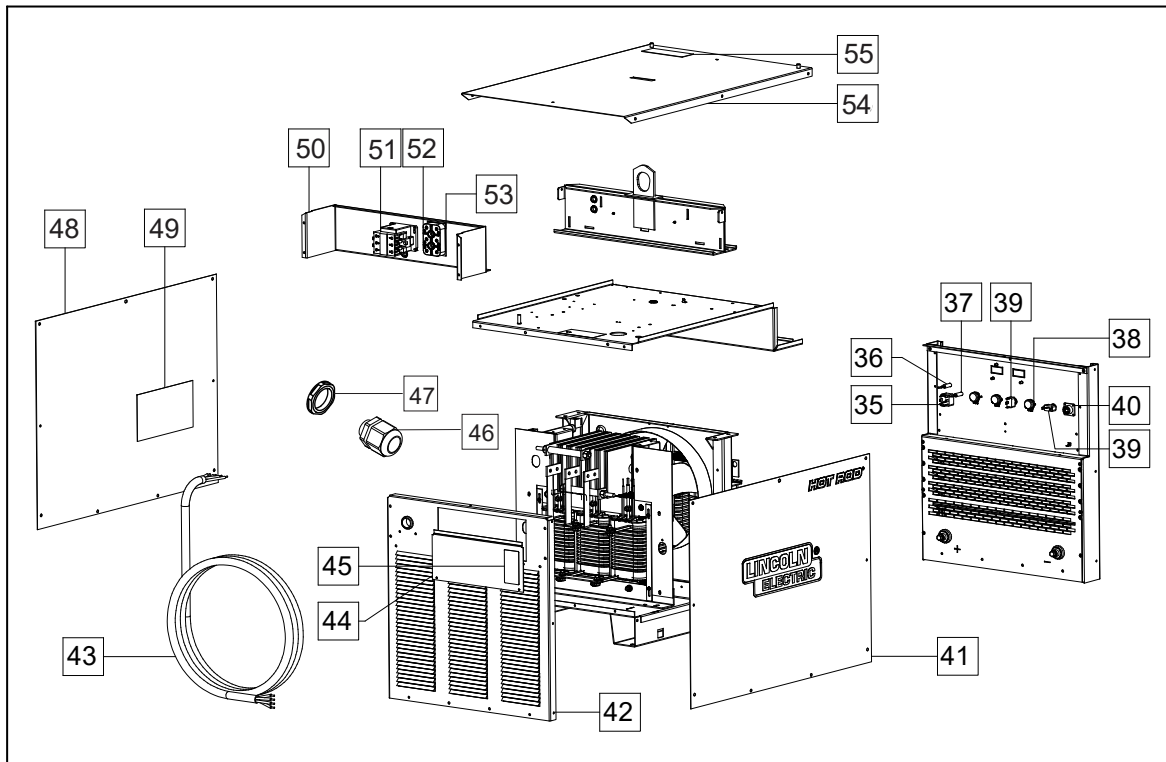


Figure B.

**Figure B: Machine Assembly**

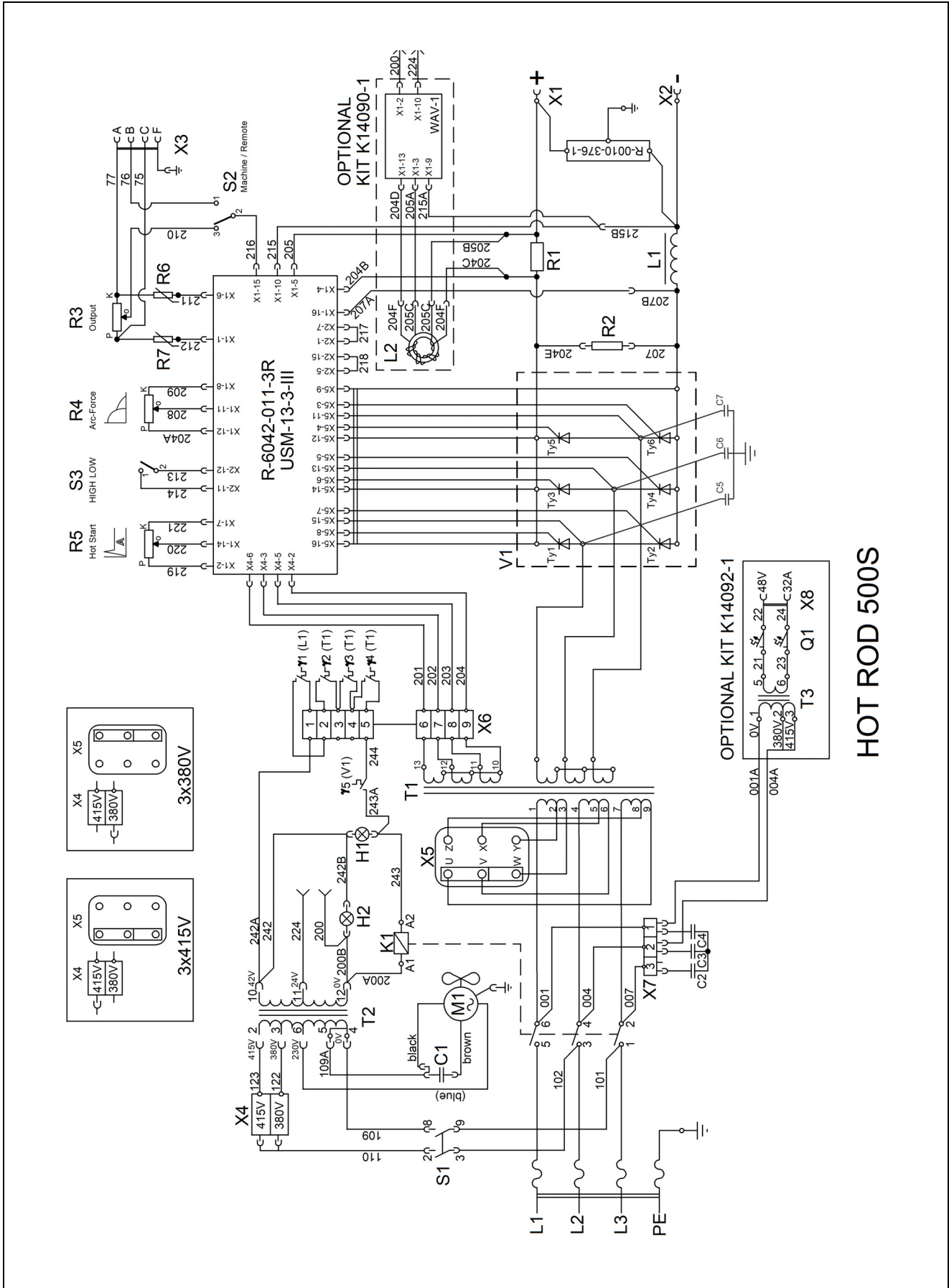
Item	Description	Part Number	QTY	1	2	3	4	5	6	7
35	SWITCH S1	1158-650-028R	1	X						
36	LAMP H2	0917-421-080R	1	X						
37	LAMP H1	0917-421-042R	1	X						
38	POTENCIOMETER R3, R4, R5	1158-113-013R	3	X						
39	SWITCH S2, S3	1115-280-005R	2	X						
40	REMOTE SOCKET X3	1158-641-008R	1	X						
41	LEFT SIDE PANEL	R-1019-267-1R	1	X						
42	REAR PANEL	R-1019-259-1/02R	1	X						
43	POWER LEAD	R-5041-121-2R	1	X						
44	SHIELD	R-1019-261-1/02R	1	X						
45	STICKER	R-0010-383-1R	1	X						
46	CABLE CLAMP	W8403226-1R	1	X						
47	NUT FOR CABLE CLAMP	W8403226-2R	1	X						
48	RIGHT SIDE PANEL	R-1019-268-1R	1	X						
49	STICKER	R-0010-381-1R	1	X						
50	SHIELD	R-1019-263-1/02R	1	X						
51	CONTACTOR K1	1115-212-243R	1	X						
52	TERMINAL BLOCK X5	1361-599-255R	1	X						
53	PLATE	D-2731-731-1R	1	X						
54	COVER	R-3019-240-1/02R	1	X						
55	STICKER	2719-107-698R	1	X						

**Miscellaneous Items (not shown in figure A, B)**

Item	Description	Part Number	QTY	1	2	3	4	5	6	7
56	WIRING HARNESS (PRIMARY)	R-5041-218-1R	1	X						
57	WIRING HARNESS (SECONDARY)	R-5041-219-1R	1	X						
58	GROUP OF CONDUCTORS	R-5041-220-1R	1	X						

# Electrical Schematic

CODE: 50732



HOT ROD 500S