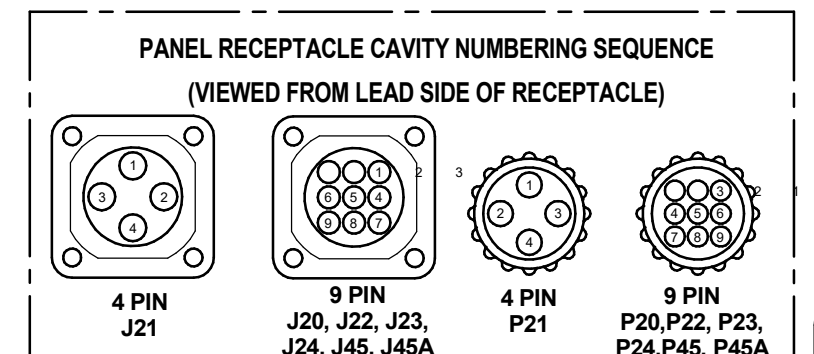
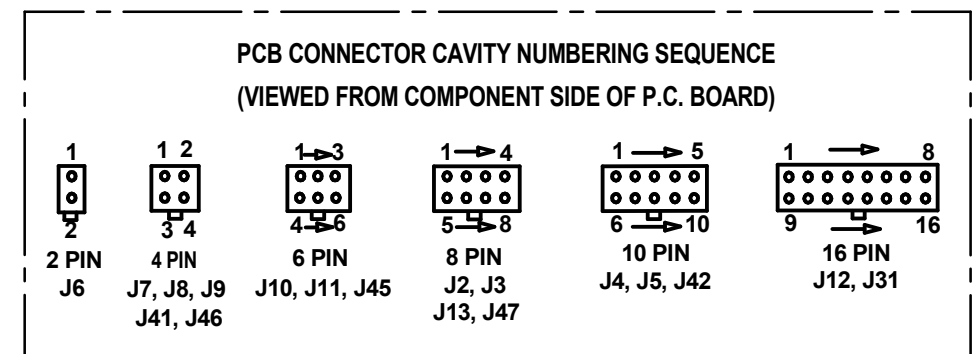
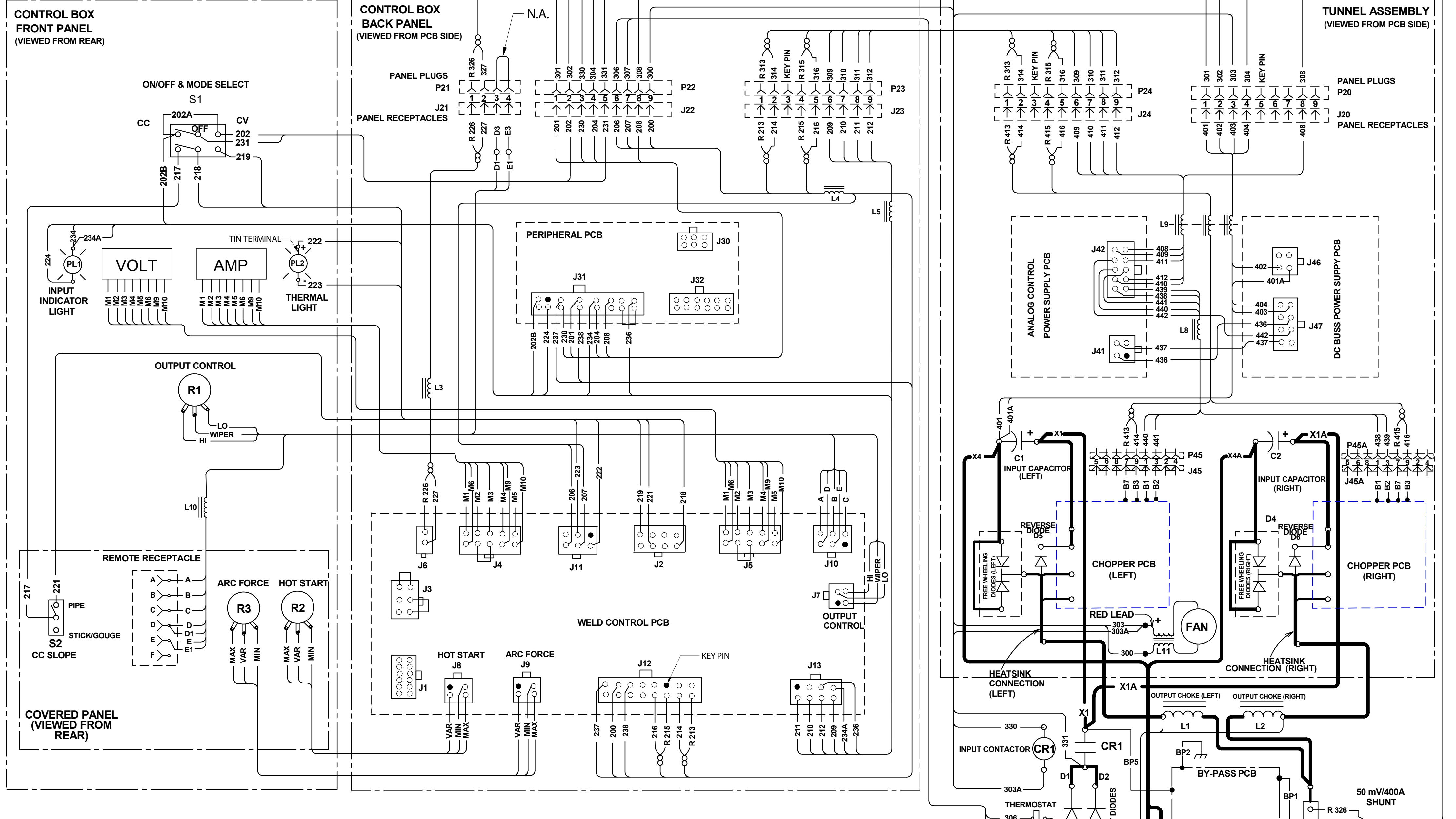


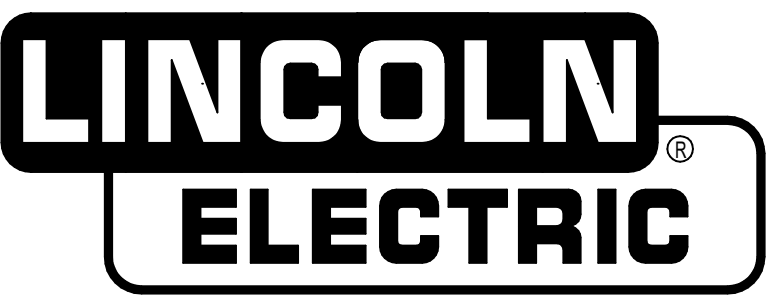
# MULTI WELD 350 WIRING DIAGRAM G3676-1 REV: B



L3 THROUGH L11: RF CHOKES  
 R1: 10K, MULTI-TURN  
 R2, R3: 10K, ONE TURN

**NOTES:**  
 N.A. CUT THIS JUMPER TO ENABLE ON/OFF OUTPUT SWITCHING FROM REMOTE RECEPTACLE (SEE INSTRUCTION MANUAL)  
 N.B. R-XXX DENOTES A RED LEAD NUMBERED XXX

**GENERAL INFORMATION**  
 ELECTRICAL SYMBOLS PER E1537  
 RESISTORS = OHMS/WATT UNLESS OTHERWISE SPECIFIED  
 ALL SWITCH WIRING VIEWED FROM REAR OF SWITCH  
 NOTE: SINCE COMPONENTS OR CIRCUITRY OF A PRINTED CIRCUIT BOARD MAY CHANGE WITHOUT AFFECTING THE INTERCHANGEABILITY OF A COMPLETE BOARD, THIS DIAGRAM MAY NOT SHOW THE EXACT COMPONENTS OR CIRCUITRY OF CONTROLS HAVING A COMMON CODE NUMBER.



CLEVELAND, OHIO U.S.A.