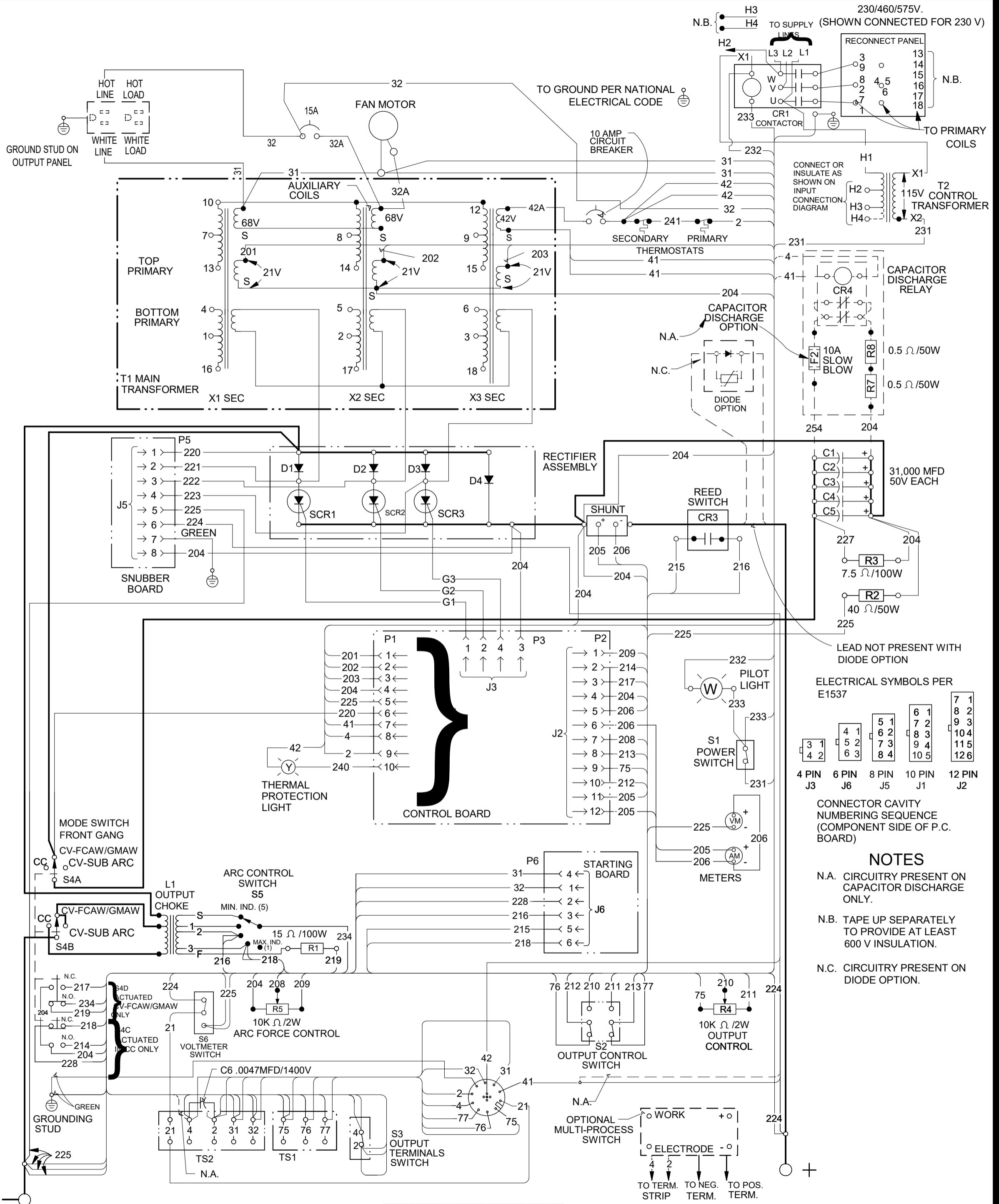


# DC-400 WIRING DIAGRAM L12058 REV: D



ELECTRICAL SYMBOLS PER E1537

3 1	4 1	5 1	6 1	7 1
4 2	5 2	6 2	7 2	8 2
	6 3	7 3	8 3	9 3
		8 4	9 4	10 4
			10 5	11 5
				12 6

4 PIN J3    6 PIN J6    8 PIN J5    10 PIN J1    12 PIN J2

CONNECTOR CAVITY NUMBERING SEQUENCE (COMPONENT SIDE OF P.C. BOARD)

### NOTES

- N.A. CIRCUITRY PRESENT ON CAPACITOR DISCHARGE ONLY.
- N.B. TAPE UP SEPARATELY TO PROVIDE AT LEAST 600 V INSULATION.
- N.C. CIRCUITRY PRESENT ON DIODE OPTION.



CLEVELAND, OHIO U.S.A.