

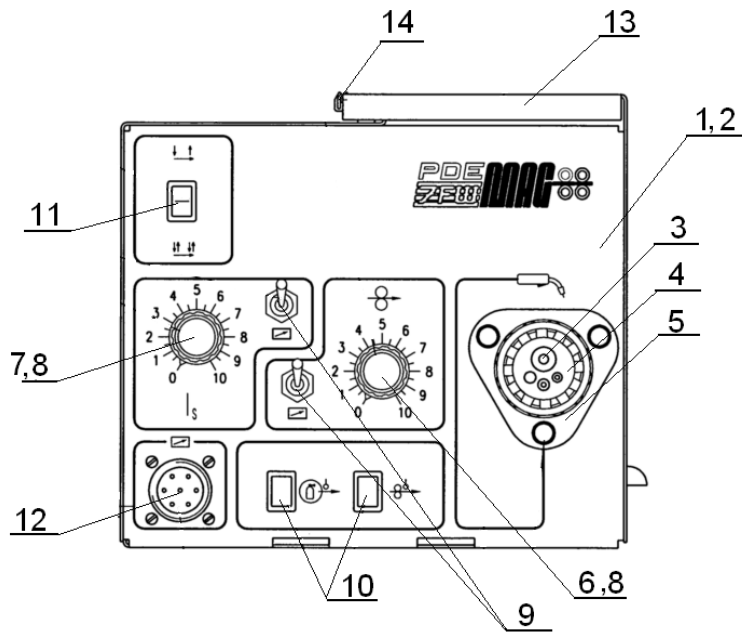
**CODE B18049-1, B18211-1**

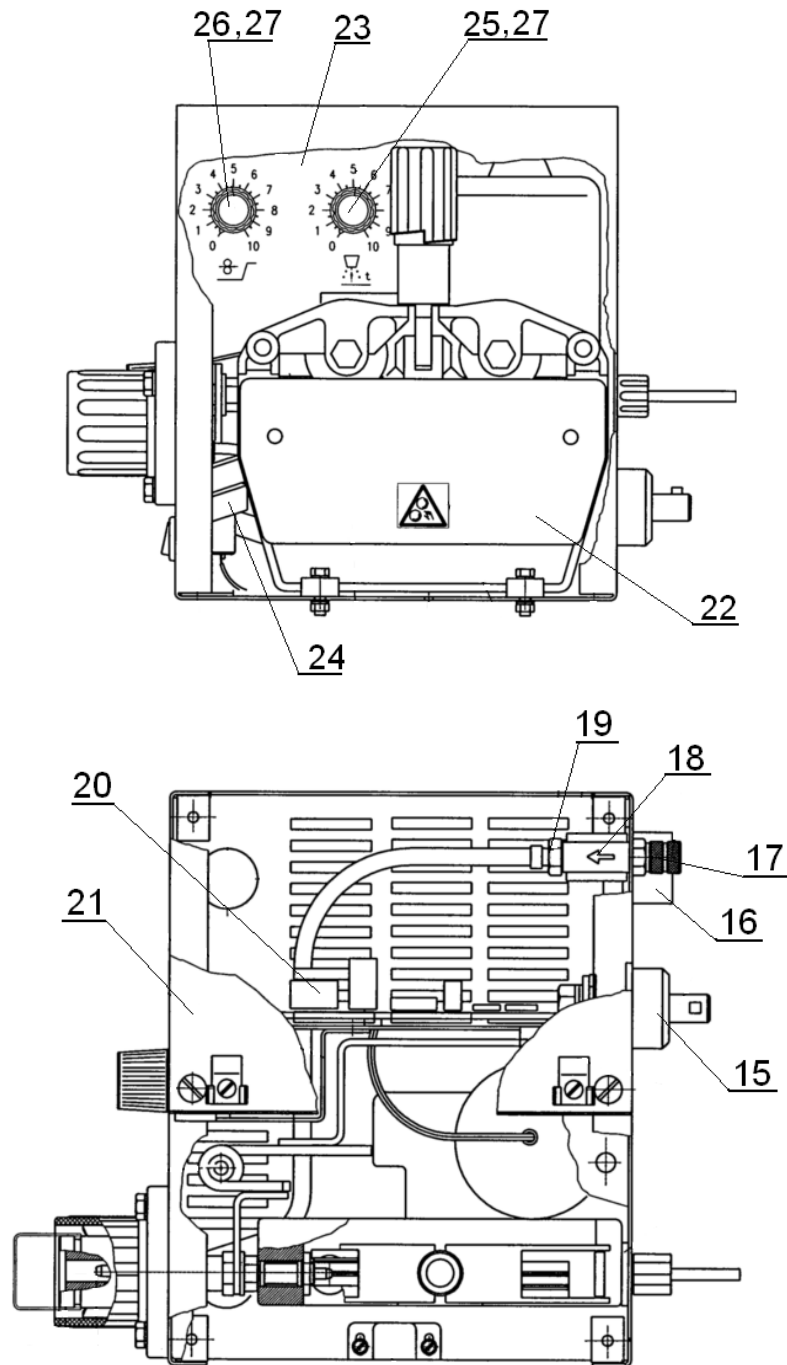
ASSEMBLY PAGE NAME			Machine Assembly	Wire feeder Assembly
CODE NO.:	K NO.:	FIGURE NO.:	A	B
-	B18211-1	PDE 7 F	1	1
-	B18049-1	PDE 7 FW	2	1

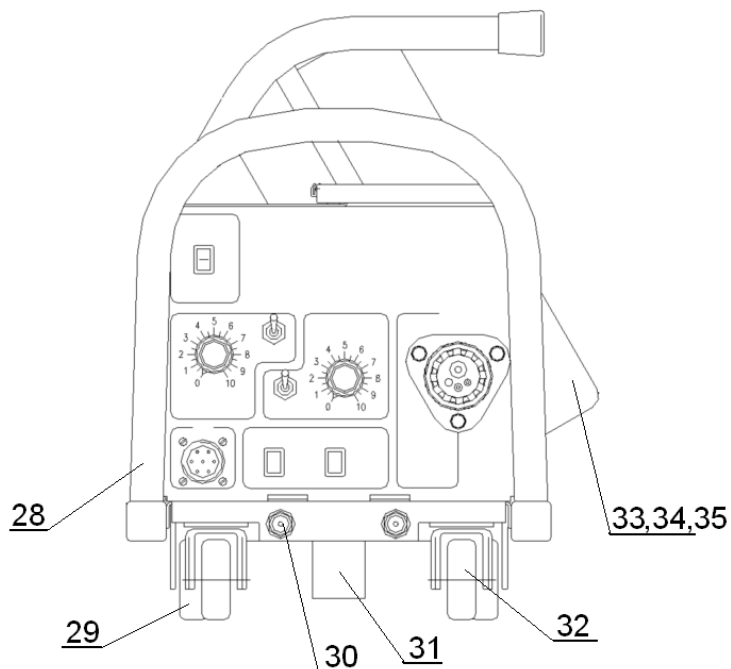
**Figure A: Machine Assembly**

POS	DESCRIPTION	PART NUMBER	Q- TY	1 2	
				1	2
1	BASE WITH PRINT PDE-7 FW	C-2773-154-1R	1	-	X
2	BASE WITH PRINT PDE-7 F	C-2773-154-4R	1	X	-
3	OUTLET GUDIE TUBE 5X2X100	D-1829-066-3R	1	X	X
4	EURO SOCKET	C-2985-005-3R	1	X	X
5	EURO COVER	1361-599-708R	1	X	X
6	POTENTIOMETERS 10KOHM	1158-113-304R	1	X	X
7	POTENTIOMETERS 1KOHM	1158-113-302R	1	X	X
8	KNOB BIG	1158-910-025R	2	X	X
9	SWITCH 2GL50 - 73	1158-650-024R	2	X	X
10	SWITCH WP-8.5	1115-270-064R	1	X	X
11	SWITCH W10	1115-270-031R	2	X	X
12	HOLDER SZR28P7EG7	1158-641-031R	1	X	X
13	RIGHT SIDE PANEL WITH PRINT	D-2721-836-1R	1	X	X
14	HINGE	D-4736-006-2R	2	X	X
15	SOCKET GSm 50-90	D-2985-002-1R	1	X	X
16	HOLDER SZR28P7ESZ7	1158-641-057R	1	X	X
17	QUICK CONNECT COUPLING	0744-000-151R	1	X	X
18	GAS VALVE ELF 5511 42V	0972-423-002R	1	X	X
19	TUBE COUPLING	R-2013-060-1R	1	X	X
20	CONTROL P.C. BOARD US-41S	0918-432-061R	1	X	X
21	LEFT SIDE PANEL	C-2721-938-1/02R	1	X	X
22	WIRE FEEDER + MOTOR-CWF5110	0744-000-163R	1	X	X
23	DIVIDER PANEL	D-2721-912-1R	1	X	X
24	CONDUCTOR-RAIL	C-3218-031-1R	1	X	X
25	POTENTIOMETERS 470KOHM	1158-113-282R	1	X	X
26	POTENTIOMETERS 10KOHM	1158-113-304R	1	X	X
27	KNOB SMALL	1158-910-043R	2	X	X
28	RACK	B-3631-288-1/08R	1	X	X
29	WHEEL	1029-660-064R	2	X	X
30	QUICK CONNECT COUPLING	0744-000-152R	4	-	X
31	BUSH	D-1891-154-1/08R	1	X	X
32	TURNING WHEEL	1029-660-063R	2	X	X
33	PLASTIC SHROUD ASSEMBLY	0749-901-006R	1	X	X
34	SLEEVE	C-3891-001-2R	1	X	X
35	KNOB (RED)	1361-599-366R	1	X	X

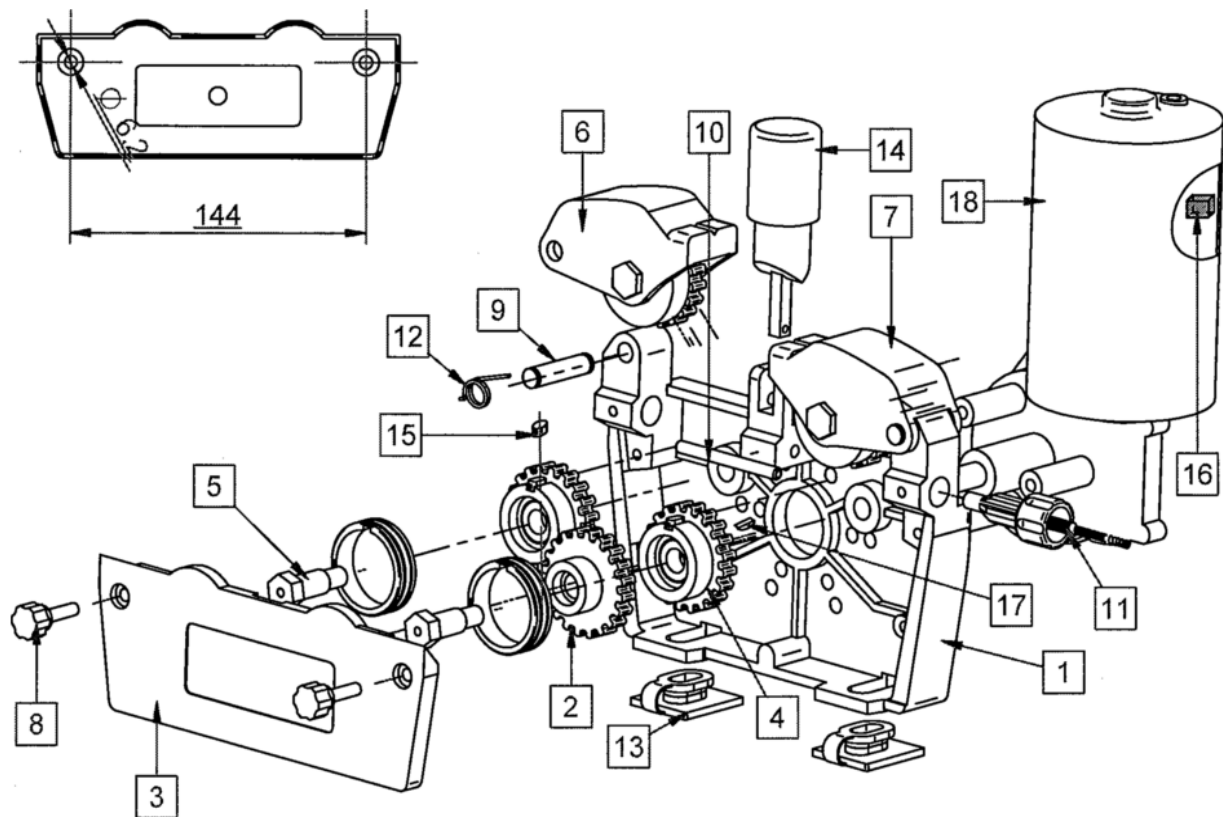
36	WIRING HARNESS	B-7639-424-1R	1	X	X
----	----------------	---------------	---	---	---






**Wire Feeder Assembly (FIGURE B) OLD VERSION**

Pos.	Description 1	Item number	Q-TY	1
	WIRE FEEDER + MOTOR	0744-000-163R	1	X
	WIRE FEEDER WITHOUT MOTOR	0646-231-018R	1	X
1	FEED PLATE A	0646-231-112R	1	X
2	GEAR WHEEL MOTOR	0646-231-050R	1	X
3	ROLL COVER A	0646-231-093R	1	X
4	GEAR WHEEL ROLL	0646-231-051R	2	X
5	AXIS DRIVE ROLL	0646-231-054R	2	X
6	PRESSURE ARM COMPL.L A	0646-231-113R	1	X
7	PRESSURE ARM COMPL.R A	0646-231-114R	1	X
8	SPECAL SCREW A	0646-231-087R	2	X
9	AXIS PRESURRE ARM A	0646-231-115R	2	X
10	INTERMEDIATE GUIDE A	0646-231-058R	1	X
11	INLET GUIDE COMPL.	0646-231-056R	1	X
12	SPRING PRESSURE ARM	0646-231-110R	2	X
13	INSULATING WASHER	0646-231-111R	2	X
14	FIXING ARM COMPL. A	0646-231-092R	1	X
15	KEY GEAR WHEEL	0646-231-079R	2	X
16	BRUSH TO ELVI 90W 42V	1111-311-043R	2	X
17	WOODRUFF KEY	0646-231-102R	1	X
18	MOTOR ELVI-42V 90W	1111-722-042R	1	X



**Wire Feeder Assembly (FIGURE B) NEW VERSION**

Pos.	Description 1	Item number	Q-TY	1
	WIRE FEEDER + MOTOR	0744-000-163R	1	X
	WIRE FEEDER WITHOUT MOTOR	0646-231-018R	1	X
1	FEED PLATE B	0646-231-103R	1	X
2	GEAR WHEEL MOTOR	0646-231-050R	1	X
3	ROLL COVER B	0646-231-083R	1	X
4	GEAR WHEEL ROLL	0646-231-051R	2	X
5	AXIS DRIVE ROLL	0646-231-054R	2	X
6	PRESSURE ARM COMPL.L B	0646-231-104R	1	X
7	PRESSURE ARM COMPL.R B	0646-231-105R	1	X
8	SPECIAL SCREW B	0646-231-106R	2	X
9	AXIS PRESSURE ARM B	0646-231-107R	2	X
10	INTERMEDIATE GUIDE B	0646-231-108R	1	X
11	INLET GUIDE COMPL.	0646-231-056R	1	X
12	SPRING PRESSURE ARM	0646-231-110R	2	X
13	INSULATING WASHER	0646-231-111R	2	X
14	FIXING ARM COMPL. B	0646-231-082R	1	X
15	KEY GEAR WHEEL	0646-231-079R	2	X
16	BRUSH TO ELVI 90W 42V	1111-311-043R	2	X
17	WOODRUFF KEY	0646-231-102R	1	X
18	MOTOR ELVI-42V 90W	1111-722-042R	1	X

