

LEGEND

- C4 1 MFD.
- C5 .022 MFD.
- C6 .022 MFD.
- C7 .02 MFD.
- D1 12.5 AMP
- D4 1 AMP.
- D5 3 AMP.
- D6 3 AMP.
- D7 1 AMP.

DZ1 27 V.

F2 10 AMP.

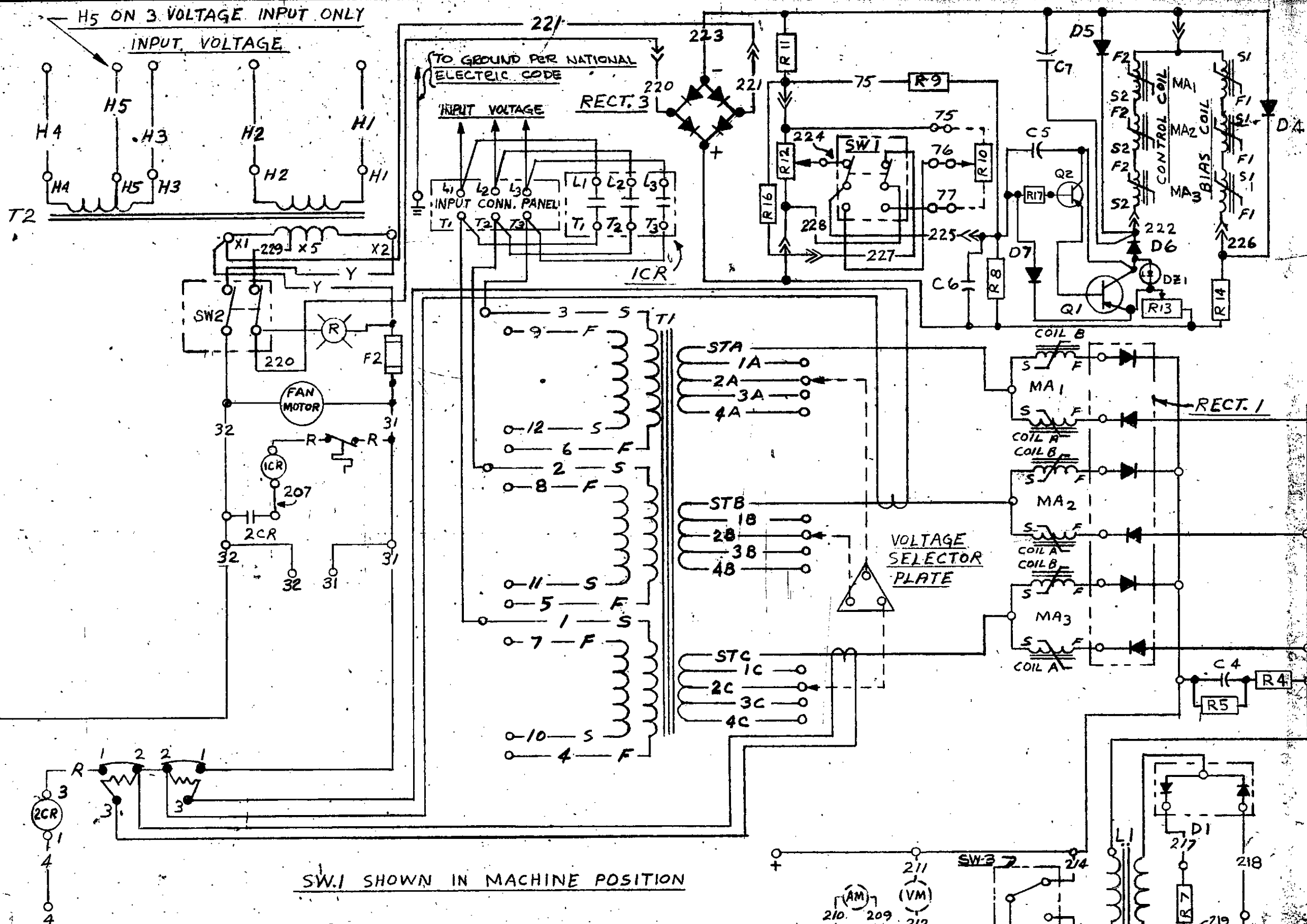
- R4 22 Ω
- R5 4.7 KΩ
- R6 100 Ω
- R7 50 Ω
- R8 3.0 KΩ
- R9 3.0 KΩ
- R10 10 KΩ
- R11 1.5 KΩ
- R12 10 KΩ POT
- R13 3.0 Ω 25W
- R14 4.8 Ω 10W
- R16 10 K Ω
- R17 2.2 KΩ \*

- SW1 VOLTAGE CONTROL SWITCH
- SW2 POWER ON-OFF SWITCH
- SW3 CONTROL CIRCUIT SWITCH
- T1 MAIN TRANSFORMER
- T2 AUX. TRANSFORMER
- MA1 } MAG-AMP. TRANSFORMERS
- MA2 }
- MA3 }
- ICR INPUT CONTACTOR S-67
- 2CR PILOT RELAY

RECT. 1 MAIN POWER RECT.  
RECT. 3 CONTROL CIRCUIT RECT.

- Q1 2N5879
- Q2 2N5815
- L1 CHOKE

\* - NOT ON EARLIER MACHINES



SW1 SHOWN IN MACHINE POSITION

NOTE SEE WIRING DIAGRAM FOR INPUT CONNECTIONS.

LEAD COLOR CODE  
G - GREEN  
Y - YELLOW  
R - RED

ANSI ELECTRICAL SYMBOLS PER E-1537

UNLESS OTHERWISE SPECIFIED TOLERANCE  
ON 2 PLACE DECIMALS IS ± .02  
ON 3 PLACE DECIMALS IS ± .002  
ON ALL ANGLES IS ± .5 OF A DEGREE  
MATERIAL TOLERANCE ("Y") TO AGREE  
WITH PUBLISHED STANDARDS.

THE LINCOLN ELECTRIC CO.  
CLEVELAND, OHIO U.S.A.

DATE 2-14-77 SCALE

TYPE IDEALARC R3S-600  
SUBJECT SCHEMATIC DIAGRAM  
SHEET NO. M-13507