

# WIRE FEEDER WELDER (180 MODEL)

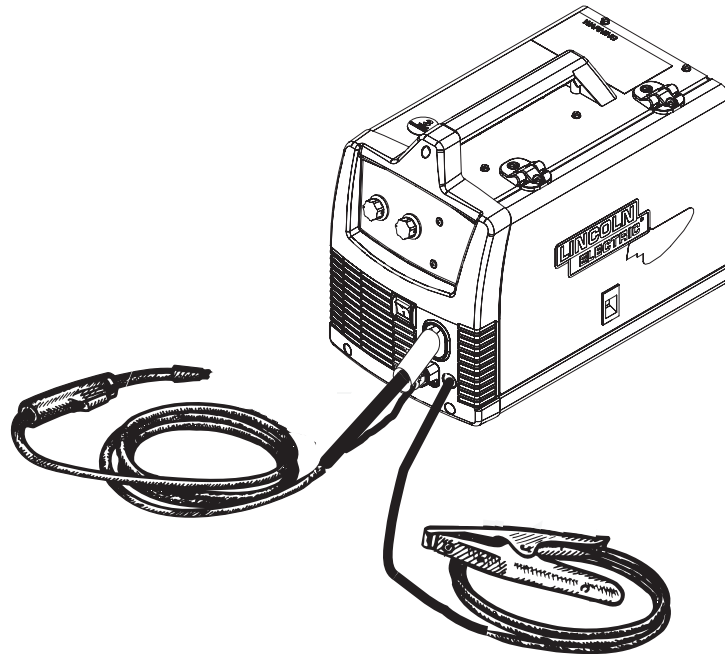
IMT10075

September, 2010

For use with machines having Code Numbers: 11646, 11647, 11648, 11649, 11650

## TABLE OF CONTENTS

<b>Installation</b> .....	<b>Section A</b>
Technical Specifications .....	A-1
Safety Precautions .....	A-1
Location .....	A-1
Stacking .....	A-1
Tilting .....	A-1
Identify and Locate Components for 180 Amp A-2	
<b>Operation</b> .....	<b>Section B</b>
Safety and Product Description .....	B-1
Controls and Settings .....	B-2, B-3
Drive Roll and Wire Guides Table .....	B-4
Setting Up and Making a Flux-Cored Weld thru B-4	
Setting Up and Making a MIG Weld and Install Shielding Gas .....	B-7 thru B-10
Setting Up and Making an Aluminum Weld	B-11
<b>Accessories</b> .....	<b>Section C</b>
Optional Accessories .....	C-1
Utility Carts .....	C-2, C-3
<b>Maintenance</b> .....	<b>Section D</b>
Safety Precautions .....	D-1
Wire Feed Compartment, Fan Motor, Wire Reel Maintenance .....	D-1
Gun And Cable Maintenance .....	D-2
Overload Protection .....	D-2
Component Replacement Procedures .....	D-2
<b>Troubleshooting</b> .....	<b>Section E</b>
Safety Precautions .....	E-1
How to Use Troubleshooting Guide .....	E-1
Troubleshooting Guide .....	E-2 thru E-3
<b>Wiring Diagram and Dimension Print</b>	
<b>Section F</b>	
<b>Parts Pages</b> .....	<b>P-660, P-202-E</b>



**Safety Depends on You**  
Lincoln arc welding and cutting equipment is designed and built with safety in mind. However, your overall safety can be increased by proper installation ... and thoughtful operation on your part. **DO NOT INSTALL, OPERATE OR REPAIR THIS EQUIPMENT WITHOUT READING THIS MANUAL AND THE SAFETY PRECAUTIONS CONTAINED THROUGHOUT.** And, most importantly, think before you act and be careful.

OPERATOR'S MANUAL

MANUAL DE OPERACIÓN

MANUEL DE L'OPÉRATEUR



Copyright © Lincoln Global Inc.

# THANK YOU FOR SELECTING A QUALITY PRODUCT BY LINCOLN ELECTRIC.

## PLEASE EXAMINE CARTON AND EQUIPMENT FOR DAMAGE IMMEDIATELY

When this equipment is shipped, title passes to the purchaser upon receipt by the carrier. Consequently, claims for material damaged in shipment must be made by the purchaser against the transportation company at the time the shipment is received.

## SAFETY DEPENDS ON YOU

Lincoln arc welding and cutting equipment is designed and built with safety in mind. However, your overall safety can be increased by proper installation ... and thoughtful operation on your part. **DO NOT INSTALL, OPERATE OR REPAIR THIS EQUIPMENT WITHOUT READING THIS MANUAL AND THE SAFETY PRECAUTIONS CONTAINED THROUGHOUT.** And, most importantly, think before you act and be careful.

### **WARNING**

This statement appears where the information must be followed exactly to avoid serious personal injury or loss of life.

### **CAUTION**

This statement appears where the information must be followed to avoid minor personal injury or damage to this equipment.



## KEEP YOUR HEAD OUT OF THE FUMES.

**DON'T** get too close to the arc. Use corrective lenses if necessary to stay a reasonable distance away from the arc.

**READ** and obey the Safety Data Sheet (SDS) and the warning label that appears on all containers of welding materials.

**USE ENOUGH VENTILATION** or exhaust at the arc, or both, to keep the fumes and gases from your breathing zone and the general area.

**IN A LARGE ROOM OR OUTDOORS**, natural ventilation may be adequate if you keep your head out of the fumes (See below).

**USE NATURAL DRAFTS** or fans to keep the fumes away from your face.

If you develop unusual symptoms, see your supervisor. Perhaps the welding atmosphere and ventilation system should be checked.



## WEAR CORRECT EYE, EAR & BODY PROTECTION

**PROTECT** your eyes and face with welding helmet properly fitted and with proper grade of filter plate (See ANSI Z49.1).

**PROTECT** your body from welding spatter and arc flash with protective clothing including woolen clothing, flame-proof apron and gloves, leather leggings, and high boots.

**PROTECT** others from splatter, flash, and glare with protective screens or barriers.

**IN SOME AREAS**, protection from noise may be appropriate.

**BE SURE** protective equipment is in good condition.

Also, wear safety glasses in work area **AT ALL TIMES.**



## SPECIAL SITUATIONS

**DO NOT WELD OR CUT** containers or materials which previously had been in contact with hazardous substances unless they are properly cleaned. This is extremely dangerous.

**DO NOT WELD OR CUT** painted or plated parts unless special precautions with ventilation have been taken. They can release highly toxic fumes or gases.

## Additional precautionary measures

**PROTECT** compressed gas cylinders from excessive heat, mechanical shocks, and arcs; fasten cylinders so they cannot fall.

**BE SURE** cylinders are never grounded or part of an electrical circuit.

**REMOVE** all potential fire hazards from welding area.

**ALWAYS HAVE FIRE FIGHTING EQUIPMENT READY FOR IMMEDIATE USE AND KNOW HOW TO USE IT.**



## SECTION A: WARNINGS



### CALIFORNIA PROPOSITION 65 WARNINGS



**WARNING:** Breathing diesel engine exhaust exposes you to chemicals known to the State of California to cause cancer and birth defects, or other reproductive harm.

- Always start and operate the engine in a well-ventilated area.
- If in an exposed area, vent the exhaust to the outside.
- Do not modify or tamper with the exhaust system.
- Do not idle the engine except as necessary.

For more information go to [www.P65warnings.ca.gov/diesel](http://www.P65warnings.ca.gov/diesel)

**WARNING:** This product, when used for welding or cutting, produces fumes or gases which contain chemicals known to the State of California to cause birth defects and, in some cases, cancer. (California Health & Safety Code § 25249.5 *et seq.*)



**WARNING:** Cancer and Reproductive Harm  
[www.P65warnings.ca.gov](http://www.P65warnings.ca.gov)

**ARC WELDING CAN BE HAZARDOUS. PROTECT YOURSELF AND OTHERS FROM POSSIBLE SERIOUS INJURY OR DEATH. KEEP CHILDREN AWAY. PACEMAKER WEARERS SHOULD CONSULT WITH THEIR DOCTOR BEFORE OPERATING.**

Read and understand the following safety highlights. For additional safety information, it is strongly recommended that you purchase a copy of "Safety in Welding & Cutting - ANSI Standard Z49.1" from the American Welding Society, P.O. Box 351040, Miami, Florida 33135 or CSA Standard W117.2-1974. A Free copy of "Arc Welding Safety" booklet E205 is available from the Lincoln Electric Company, 22801 St. Clair Avenue, Cleveland, Ohio 44117-1199.

**BE SURE THAT ALL INSTALLATION, OPERATION, MAINTENANCE AND REPAIR PROCEDURES ARE PERFORMED ONLY BY QUALIFIED INDIVIDUALS.**



### FOR ENGINE POWERED EQUIPMENT.

- 1.a. Turn the engine off before troubleshooting and maintenance work unless the maintenance work requires it to be running.
- 1.b. Operate engines in open, well-ventilated areas or vent the engine exhaust fumes outdoors.
- 1.c. Do not add the fuel near an open flame welding arc or when the engine is running. Stop the engine and allow it to cool before refueling to prevent spilled fuel from vaporizing on contact



with hot engine parts and igniting. Do not spill fuel when filling tank. If fuel is spilled, wipe it up and do not start engine until fumes have been eliminated.

- 1.d. Keep all equipment safety guards, covers and devices in position and in good repair. Keep hands, hair, clothing and tools away from V-belts, gears, fans and all other moving parts when starting, operating or repairing equipment.
- 1.e. In some cases it may be necessary to remove safety guards to perform required maintenance. Remove guards only when necessary and replace them when the maintenance requiring their removal is complete. Always use the greatest care when working near moving parts.
- 1.f. Do not put your hands near the engine fan. Do not attempt to override the governor or idler by pushing on the throttle control rods while the engine is running.
- 1.g. To prevent accidentally starting gasoline engines while turning the engine or welding generator during maintenance work, disconnect the spark plug wires, distributor cap or magneto wire as appropriate.
- 1.h. To avoid scalding, do not remove the radiator pressure cap when the engine is hot.



### ELECTRIC AND MAGNETIC FIELDS MAY BE DANGEROUS



- 2.a. Electric current flowing through any conductor causes localized Electric and Magnetic Fields (EMF). Welding current creates EMF fields around welding cables and welding machines
- 2.b. EMF fields may interfere with some pacemakers, and welders having a pacemaker should consult their physician before welding.
- 2.c. Exposure to EMF fields in welding may have other health effects which are now not known.
- 2.d. All welders should use the following procedures in order to minimize exposure to EMF fields from the welding circuit:
  - 2.d.1. Route the electrode and work cables together - Secure them with tape when possible.
  - 2.d.2. Never coil the electrode lead around your body.
  - 2.d.3. Do not place your body between the electrode and work cables. If the electrode cable is on your right side, the work cable should also be on your right side.
  - 2.d.4. Connect the work cable to the workpiece as close as possible to the area being welded.
  - 2.d.5. Do not work next to welding power source.



## ELECTRIC SHOCK CAN KILL.



- 3.a. The electrode and work (or ground) circuits are electrically “hot” when the welder is on. Do not touch these “hot” parts with your bare skin or wet clothing. Wear dry, hole-free gloves to insulate hands.
- 3.b. Insulate yourself from work and ground using dry insulation. Make certain the insulation is large enough to cover your full area of physical contact with work and ground.

**In addition to the normal safety precautions, if welding must be performed under electrically hazardous conditions (in damp locations or while wearing wet clothing; on metal structures such as floors, gratings or scaffolds; when in cramped positions such as sitting, kneeling or lying, if there is a high risk of unavoidable or accidental contact with the workpiece or ground) use the following equipment:**

- Semiautomatic DC Constant Voltage (Wire) Welder.
  - DC Manual (Stick) Welder.
  - AC Welder with Reduced Voltage Control.
- 3.c. In semiautomatic or automatic wire welding, the electrode, electrode reel, welding head, nozzle or semiautomatic welding gun are also electrically “hot”.
  - 3.d. Always be sure the work cable makes a good electrical connection with the metal being welded. The connection should be as close as possible to the area being welded.
  - 3.e. Ground the work or metal to be welded to a good electrical (earth) ground.
  - 3.f. Maintain the electrode holder, work clamp, welding cable and welding machine in good, safe operating condition. Replace damaged insulation.
  - 3.g. Never dip the electrode in water for cooling.
  - 3.h. Never simultaneously touch electrically “hot” parts of electrode holders connected to two welders because voltage between the two can be the total of the open circuit voltage of both welders.
  - 3.i. When working above floor level, use a safety belt to protect yourself from a fall should you get a shock.
  - 3.j. Also see Items 6.c. and 8.



## ARC RAYS CAN BURN.



- 4.a. Use a shield with the proper filter and cover plates to protect your eyes from sparks and the rays of the arc when welding or observing open arc welding. Headshield and filter lens should conform to ANSI Z87.1 standards.
- 4.b. Use suitable clothing made from durable flame-resistant material to protect your skin and that of your helpers from the arc rays.
- 4.c. Protect other nearby personnel with suitable, non-flammable screening and/or warn them not to watch the arc nor expose themselves to the arc rays or to hot spatter or metal.



## FUMES AND GASES CAN BE DANGEROUS.



- 5.a. Welding may produce fumes and gases hazardous to health. Avoid breathing these fumes and gases. When welding, keep your head out of the fume. Use enough ventilation and/or exhaust at the arc to keep fumes and gases away from the breathing zone. **When welding hardfacing (see instructions on container or SDS) or on lead or cadmium plated steel and other metals or coatings which produce highly toxic fumes, keep exposure as low as possible and within applicable OSHA PEL and ACGIH TLV limits using local exhaust or mechanical ventilation unless exposure assessments indicate otherwise. In confined spaces or in some circumstances, outdoors, a respirator may also be required. Additional precautions are also required when welding on galvanized steel.**
- 5.b. The operation of welding fume control equipment is affected by various factors including proper use and positioning of the equipment, maintenance of the equipment and the specific welding procedure and application involved. Worker exposure level should be checked upon installation and periodically thereafter to be certain it is within applicable OSHA PEL and ACGIH TLV limits.
- 5.c. Do not weld in locations near chlorinated hydrocarbon vapors coming from degreasing, cleaning or spraying operations. The heat and rays of the arc can react with solvent vapors to form phosgene, a highly toxic gas, and other irritating products.
- 5.d. Shielding gases used for arc welding can displace air and cause injury or death. Always use enough ventilation, especially in confined areas, to insure breathing air is safe.
- 5.e. Read and understand the manufacturer’s instructions for this equipment and the consumables to be used, including the Safety Data Sheet (SDS) and follow your employer’s safety practices. SDS forms are available from your welding distributor or from the manufacturer.
- 5.f. Also see item 1.b.



## WELDING AND CUTTING SPARKS CAN CAUSE FIRE OR EXPLOSION.



- 6.a. Remove fire hazards from the welding area. If this is not possible, cover them to prevent the welding sparks from starting a fire. Remember that welding sparks and hot materials from welding can easily go through small cracks and openings to adjacent areas. Avoid welding near hydraulic lines. Have a fire extinguisher readily available.
- 6.b. Where compressed gases are to be used at the job site, special precautions should be used to prevent hazardous situations. Refer to "Safety in Welding and Cutting" (ANSI Standard Z49.1) and the operating information for the equipment being used.
- 6.c. When not welding, make certain no part of the electrode circuit is touching the work or ground. Accidental contact can cause overheating and create a fire hazard.
- 6.d. Do not heat, cut or weld tanks, drums or containers until the proper steps have been taken to insure that such procedures will not cause flammable or toxic vapors from substances inside. They can cause an explosion even though they have been "cleaned". For information, purchase "Recommended Safe Practices for the Preparation for Welding and Cutting of Containers and Piping That Have Held Hazardous Substances", AWS F4.1 from the American Welding Society (see address above).
- 6.e. Vent hollow castings or containers before heating, cutting or welding. They may explode.
- 6.f. Sparks and spatter are thrown from the welding arc. Wear oil free protective garments such as leather gloves, heavy shirt, cuffless trousers, high shoes and a cap over your hair. Wear ear plugs when welding out of position or in confined places. Always wear safety glasses with side shields when in a welding area.
- 6.g. Connect the work cable to the work as close to the welding area as practical. Work cables connected to the building framework or other locations away from the welding area increase the possibility of the welding current passing through lifting chains, crane cables or other alternate circuits. This can create fire hazards or overheat lifting chains or cables until they fail.
- 6.h. Also see item 1.c.
- 6.i. Read and follow NFPA 51B "Standard for Fire Prevention During Welding, Cutting and Other Hot Work", available from NFPA, 1 Batterymarch Park, PO box 9101, Quincy, MA 022690-9101.
- 6.j. Do not use a welding power source for pipe thawing.



## CYLINDER MAY EXPLODE IF DAMAGED.



- 7.a. Use only compressed gas cylinders containing the correct shielding gas for the process used and properly operating regulators designed for the gas and pressure used. All hoses, fittings, etc. should be suitable for the application and maintained in good condition.
- 7.b. Always keep cylinders in an upright position securely chained to an undercarriage or fixed support.
- 7.c. Cylinders should be located:
  - Away from areas where they may be struck or subjected to physical damage.
  - A safe distance from arc welding or cutting operations and any other source of heat, sparks, or flame.
- 7.d. Never allow the electrode, electrode holder or any other electrically "hot" parts to touch a cylinder.
- 7.e. Keep your head and face away from the cylinder valve outlet when opening the cylinder valve.
- 7.f. Valve protection caps should always be in place and hand tight except when the cylinder is in use or connected for use.
- 7.g. Read and follow the instructions on compressed gas cylinders, associated equipment, and CGA publication P-1, "Precautions for Safe Handling of Compressed Gases in Cylinders," available from the Compressed Gas Association, 14501 George Carter Way Chantilly, VA 20151.



## FOR ELECTRICALLY POWERED EQUIPMENT.



- 8.a. Turn off input power using the disconnect switch at the fuse box before working on the equipment.
- 8.b. Install equipment in accordance with the U.S. National Electrical Code, all local codes and the manufacturer's recommendations.
- 8.c. Ground the equipment in accordance with the U.S. National Electrical Code and the manufacturer's recommendations.

**Refer to**  
**<http://www.lincolnelectric.com/safety>**  
**for additional safety information.**

## TECHNICAL SPECIFICATIONS 180 Amp units (K2481-1, K2515-1, K2659-1, K2689-1, K2698-1)

INPUT – SINGLE PHASE ONLY			
<u>Standard Voltage/Frequency</u> 230 V      60 Hz 208 V      60 Hz		<u>Input Current</u> 20 Amps @ rated output 20 Amps @ rated output	
RATED OUTPUT			
<u>Voltage/Duty Cycle</u> 230 V      30% 208 V      30%		<u>Current</u> 130 Amps 130 Amps	<u>Voltage at Rated Amperes</u> 20 17
OUTPUT			
<u>Welding Current Range</u> 30-180 Amps		<u>Open Circuit Voltage</u> 34 V	<u>Wire Speed Range</u> 50 - 500 in/min. (1.3 - 12.7 m/min.)
RECOMMENDED INPUT CABLE AND FUSE SIZES			
<u>Input Voltage/Frequency</u> 230 V      60 Hz	<u>Fuse or Breaker Size</u> <sup>1</sup> 40 Amp Super Lag	<u>Input Amps</u> 20	<u>Power Cord</u> 50 Amp, 250 V, Three Prong Plug (NEMA Type 6-50P)
PHYSICAL DIMENSIONS			
<u>Height</u> 13.7 in 347 mm	<u>Width</u> 10.15 in 258 mm	<u>Depth</u> 17.9 in 454 mm	<u>Weight</u> 64 lbs 29 kg

<sup>1</sup> If connected to a circuit protected by fuses use Time Delay Fuse marked "D".

Read entire installation section before starting installation.

### SAFETY PRECAUTIONS

#### WARNING



#### ELECTRIC SHOCK can kill.

- Only qualified personnel should perform this installation.
- Only personnel that have read and understood the POWER MIG Operating Manual should install and operate this equipment.
- Machine must be plugged into a receptacle which is grounded per any national, local or other applicable electrical codes.
- The POWER MIG power switch is to be in the OFF ("O") position when installing work cable and gun and when connecting power cord to input power.

### SELECT SUITABLE LOCATION

Locate the welder in a dry location where there is free circulation of clean air into the louvers in the back and out the front of the unit. A location that minimizes the amount of smoke and dirt drawn into the rear louvers reduces the chance of dirt accumulation that can block air passages and cause overheating.

### STACKING

WIRE FEEDER WELDER(180 MODEL) cannot be stacked.

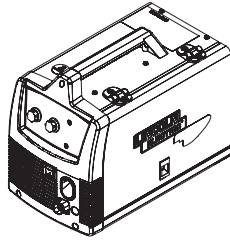
### TILTING

Each machine must be placed on a secure, level surface, directly or on recommended cart. The machine may topple over if this procedure is not followed.

IDENTIFY AND LOCATE COMPONENTS FOR 180 AMP UNIT

INCLUDED COMPONENTS

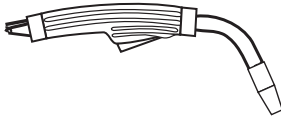
- Wire Feeder Welder.



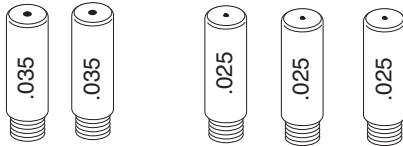
- Work Cable & Clamp.



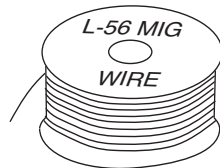
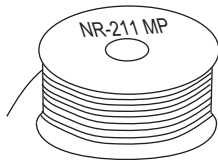
- Magnum 100L Welding Gun.



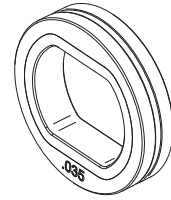
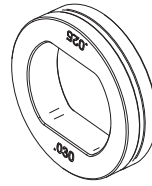
- 3 .035 Contact Tips (1 installed on the welding gun).
- 3 .025 Contact Tips.



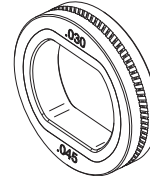
- Spool of .035 diameter NR-211MP Innershield Flux-cored Wire.
- Spool of .025 diameter L-56 MIG Wire.



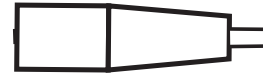
- .025-.030 Smooth Drive Roll
- .035 Smooth Drive Roll.



- .030 -.045 Knurled Drive Roll (Installed on Machine).



- Black Flux-cored Gasless Gun Nozzle (Installed on Welding Gun).

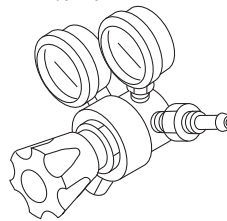


- Brass MIG Gas Gun Nozzle.

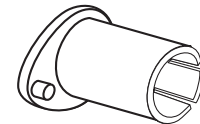


- 2" Spindle Adapter (For 8" Reel of wire)
- Regulator
- Gas Hose
- Learn to Weld (LTW1 Manual)
- DVD

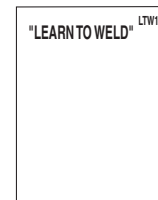
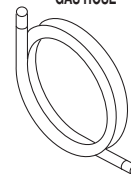
REGULATOR



2" SPINDLE ADAPTER (FOR 8" REEL OF WIRE)



GAS HOSE



DVD



WIRE FEEDER WELDER (180 MODEL)



Read entire operation section before operating the WIRE FEEDER WELDERS.

## ⚠ WARNING



### ELECTRIC SHOCK can kill.

- Do not touch electrically live parts or electrode with skin or wet clothing. Insulate yourself from work and ground.
- Always wear dry insulating gloves.



### FUMES AND GASES can be dangerous.

- Keep your head out of fumes.
- Use ventilation or exhaust to remove fumes from breathing zone.



### WELDING SPARKS can cause fire or explosion.

- Keep flammable material away.
- Do not weld on closed containers.



### ARC RAYS can burn eyes and skin.

- Wear eye, ear and body protection.

Observe all safety information throughout this manual.

---

## PRODUCT DESCRIPTION (PRODUCT CAPABILITIES)

This small portable wire feed welder is capable of MIG welding on steel, stainless steel, and aluminum. The wire feed welder is also capable of flux-cored welding on mild steel.

MIG welding stands for Metal Inert Gas welding and requires a separate bottle of shielding gas to protect the weld until it cools. Appropriate shielding gas based on the type of material you are welding can be purchased separately from your local welding gas distributor. MIG welding is ideal for welding on thinner and clean materials when a very clean excellent cosmetic looking weld is required. An example would be automotive body panels.

Self Shielding Flux-cored Welding does not require separate shielding gas to protect the weld since the welding wire has special additives known as flux to protect the weld until it cools. Flux-cored welding is ideal for medium to thicker material and if welding on painted or rusty steel. Flux-cored welding is also ideal in outdoor applications where windy conditions might blow the MIG shielding gas away from the weld. Flux-cored welding produces a good looking weld but does not produce an excellent weld appearance as MIG welding does.

Your machine includes the necessary items to weld with either the MIG or the flux-cored welding process on steel. To weld on stainless steel optional stainless steel welding wire can be purchased separately. This machine can weld aluminum using .035 diameter 4043 aluminum welding wire. Since aluminum welding wire is soft an optional aluminum spool gun is recommended for best results. A welding Procedure Decal is located inside machine door to help provide suggested settings for welding.

## COMMON WELDING ABBREVIATIONS

### GMAW (MIG)

- Gas Metal Arc Welding

### FCAW (Innershield or Outershield)

- Flux Core Arc Welding



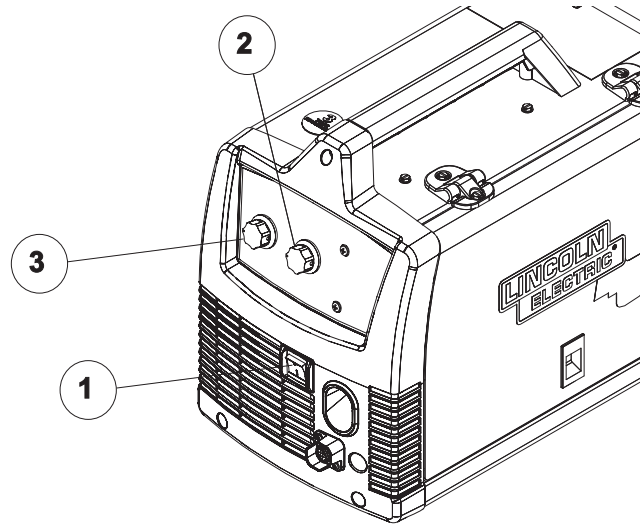
## CONTROLS AND SETTINGS

This machine has the following controls:

See Figure B.1

1. **POWER SWITCH** – Turns power on and off to the machine.
2. **ARC VOLTAGE CONTROL** – This knob sets the output voltage of the machine. Along with wire feed speed (WFS) this control sets a weld procedure. Refer to the procedure decal on the inside wire drive compartment door to set a correct welding procedure based on type of material and thickness being welded.
3. **WIRE FEED SPEED CONTROL (WFS)** – The knob sets the speed that the machine feeds wire. Along with arc voltage this control sets a weld procedure. Refer to the procedure decal on the inside wire drive compartment door to set a correct welding procedure based on type of material and thickness being welded.

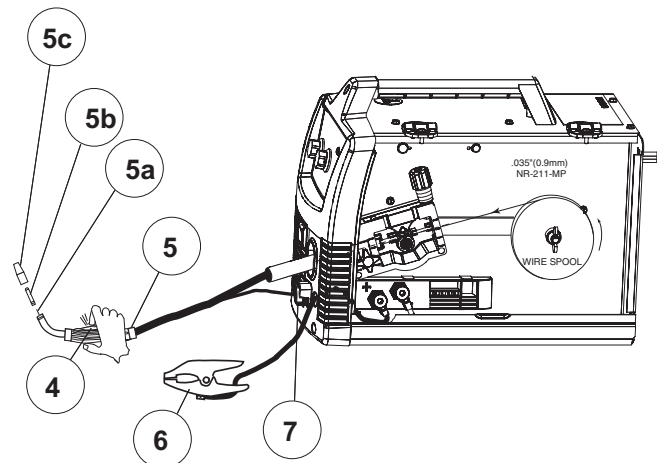
FIGURE B.1



See Figure B.2

4. **GUN TRIGGER** – Depress the trigger to activate the wire drive to feed wire and energize the output of the machine. Depress the trigger to weld and release the trigger to stop welding.
5. **WELDING GUN** – Delivers wire and welding current to the weld.
  - a. **Gun Liner** – wire travels through the liner from the wire drive. The gun liner will feed .025 to .035 wire. The 180A machine can weld with .045 wire if an optional .045 liner is installed in the gun.
  - b. **Contact Tip** – provides electrical contact to the wire.
  - c. **Nozzle** – When flux-cored welding the black nozzle protects the mounting threads on the gun. When MIG welding the brass nozzle funnels the shielding gas to the weld.
6. **WORK CLAMP & CABLE** – Clamps to the work piece being welded and completes the electrical welding circuit.
7. **GUN TRIGGER CONNECTOR RECEPTACLE** – Plug the 4 pin gun trigger connector into this receptacle.

FIGURE B.2

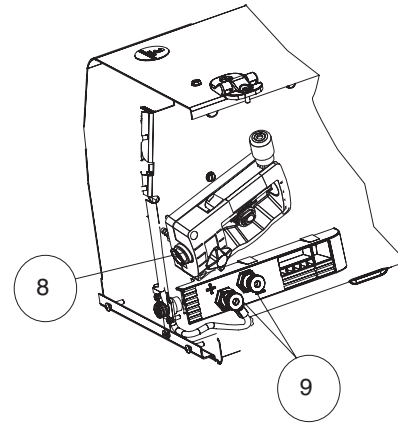


See Figure B.3

**8. WELDING GUN CONNECTOR BUSHING & THUMBSCREW** – Provides electrical power to the welding gun. The thumbscrew holds the welding gun into the connector block. (Front of Machine, Side Door and Wire Drive Cover have been removed for clarity of Items 8 and 9).

**9. OUTPUT TERMINALS** –These connections allow to change the welding polarity of the machine depending on whether you are MIG welding or flux-cored welding.

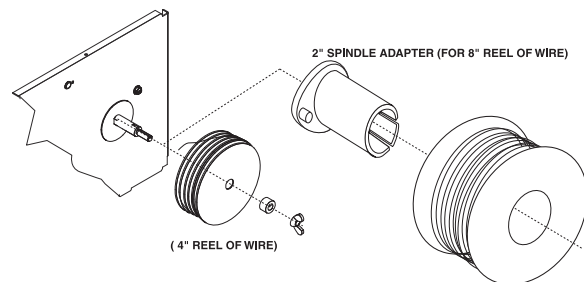
FIGURE B.3



See Figure B.4

**10. WIRE SPOOL SPINDLE AND BRAKE** – Holds a 4 inch diameter spool. Use the 2 inch spindle adapter included with the machine to use 8 inch diameter spools. The thumbscrew sets the brake friction to prevent the spool from over rotating when the trigger is released.

FIGURE B.4



See Figure B.5

**11. WIRE DRIVE & COMPONENTS** – Feeds wire from the wire spool through the drive and through the welding gun to the weld.

- a. **Drive Roll** – Drives the wire through the drive system. The drive roll has a groove to match the specific wire type and diameter. Refer to Table B.1 for available drive rolls.
- b. **Liner & Outgoing Guide** – The liner guides the wire between the bearing on the Pivot Arm Assembly and Drive Roll and through the outgoing guide.
- c. **Drive Roll Tension Thumbscrew** – Turning clockwise increases the force on the drive roll and turning counterclockwise decreases the force.

FIGURE B.5

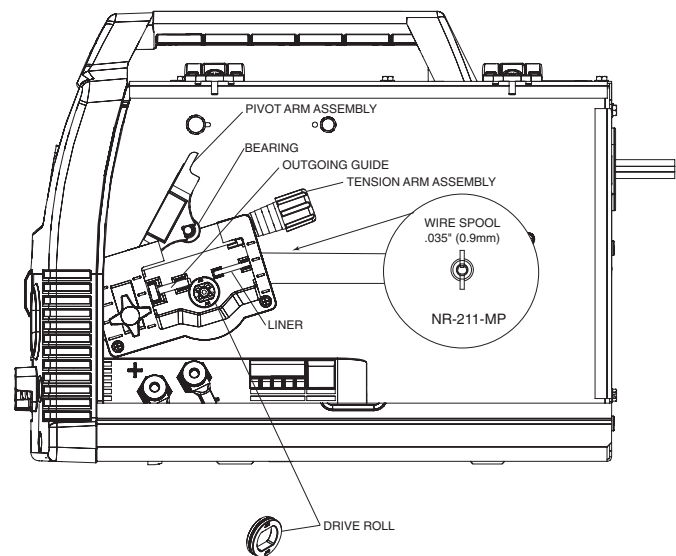


TABLE B.1  
DRIVE ROLLS

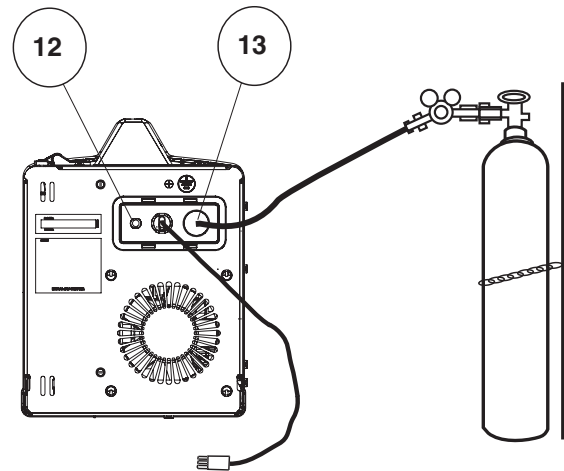
Wire Diameter & Type	Drive Roll	Drive Roll Part Number
.025 MIG wire	.025/.030 Smooth Drive Roll	KP2529-1
.030 MIG wire		
.035 MIG wire	.035 Smooth Drive Roll	KP2529-2
.030 flux-cored	.030/.045 Knurled Drive Roll	KP2529-3
.035 flux-cored		
.045 flux-cored	.030/.045 Knurled Drive Roll	KP2529-3

See Figure B.6

**12. CIRCUIT BREAKER** – If the rated input current of the machine is exceeded this circuit breaker will trip. Press to reset.

**13. GAS INLET** –Shielding gas connects to this inlet

FIGURE B.6



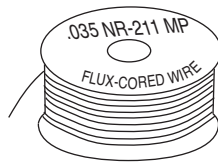
SETTING UP AND MAKING A FLUX-CORED WELD

A. ITEMS NEEDED FOR FLUX CORED WELDING

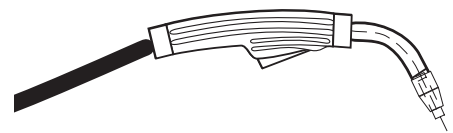
1. .035 Contact Tip



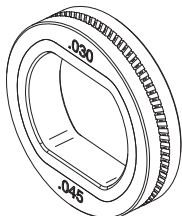
3. .035 NR-211MP Flux-Cored Wire



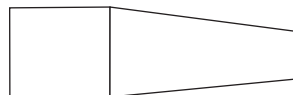
5. Welding Gun



2. Knurled Drive Roll



4. Black Flux Cored gun nozzle



7. Work Cable & Clamp



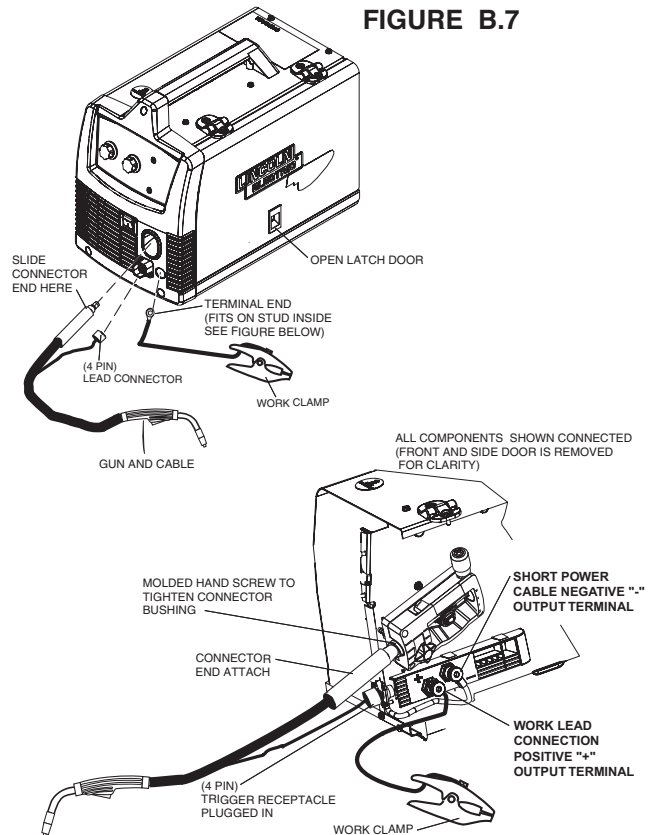
WIRE FEEDER WELDER (180 MODEL)



## B. CONNECT LEADS AND CABLES ON THE MACHINE

(See Figure B.7)

1. Open the case side door
2. Slide the connector end of the gun and cable through the hole in the machine front and into the gun connector bushing on the wire drive.
3. Make sure the gun connector end is seated fully into the wire drive and tighten the molded hand screw to secure the gun connector.
4. Plug the gun trigger lead connector into the 4 pin gun trigger receptacle on the machine front.
5. Wire Drive Polarity. Flux cored welding requires negative (-) polarity. Connect the short power cable from the wire drive to the negative (-) output terminal and tighten threaded knob.
6. Work Lead Connection. Slide the lugged end of the work cable through the hole in the machine front and place on the positive (+) output terminal and tighten threaded knob.

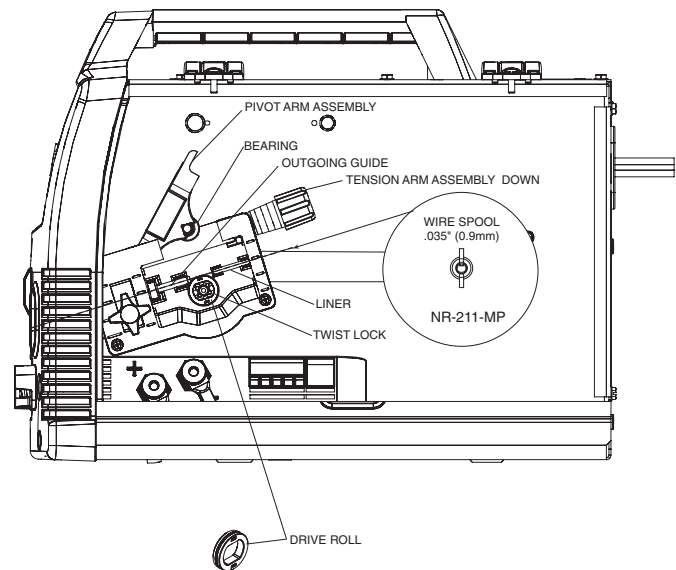


## C. LOAD WIRE SPOOL

(See Figure B.8)

1. Locate the blue labeled 4" diameter spool of .035 NR-211MP flux-cored wire and place onto wire spool spindle. Orient the spool so that the wire feeds off the top of the spool.
2. Secure spool in place by tightening the wing nut against the spacer that holds the wire spool on the spindle.
3. Open the pivot arm assembly by rotating the tension arm assembly down and lift pivot arm assembly up.
4. Remove drive roll by turning the twist lock that holds the drive roll on. Install the .030/.045 knurled drive roll.
5. Carefully unwind and straighten the first six inches of welding wire from the spool. Do not let the end of the wire go to prevent the wire from unspooling.

**FIGURE B.8**



WIRE FEEDER WELDER (180 MODEL)



(See Figure B.9)

6. Feed the wire through the inlet liner, over the drive roll groove, thru the outgoing guide and wire drive outlet on the gun side.

7. Close the Pivot Arm Assembly and secure by pivoting the Tension Arm Assembly back to the up position.

(See Figure B.10)

8. Remove the nozzle from the gun and contact tip and straighten the gun out flat.

9. Turn the machine power to on and depress the gun trigger to feed the wire through the gun liner until the wire comes out of the threaded end of the gun several inches. (See figure B.11)

10. When trigger is released spool of wire should not unwind. Adjust wire spool brake accordingly.

## WARNING



**MOVING PARTS AND ELECTRICAL CONTACT CAN CAUSE INJURY OR BE FATAL.**

- When the gun trigger is depressed drive rolls, spool of wire and electrode are **ELECTRICALLY LIVE (HOT)**.

- Keep away from moving parts and pinch points.

- Keep all Doors, Covers, panels and guards securely in place.

**DO NOT REMOVE OR CONCEAL WARNING LABELS.**



11. Install the .035 contact tip

12. Install the black flux cored welding nozzle to the gun.

13. Trim the wire stickout to 3/8" from the contact tip. (See Figure B.12)

14. Close the case side door. The machine is now ready to weld.

15. Read "Learn to Weld" (LTW1) that is included with the machine or watch the "How to Weld" DVD included with the machine.

16. Based on the thickness of the material you are going to weld and the type and diameter of the welding wire set the voltage and the wire feed speed per the procedure decal attached to the inside of the wire drive compartment door.

FIGURE B.9

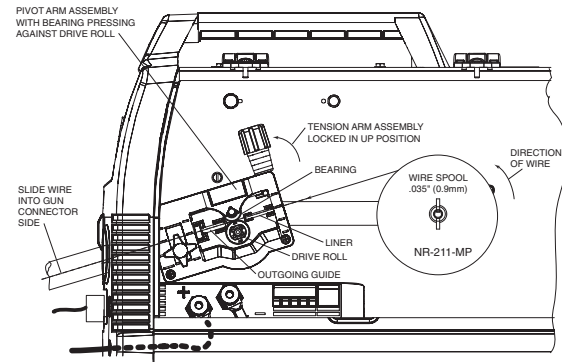


FIGURE B.10

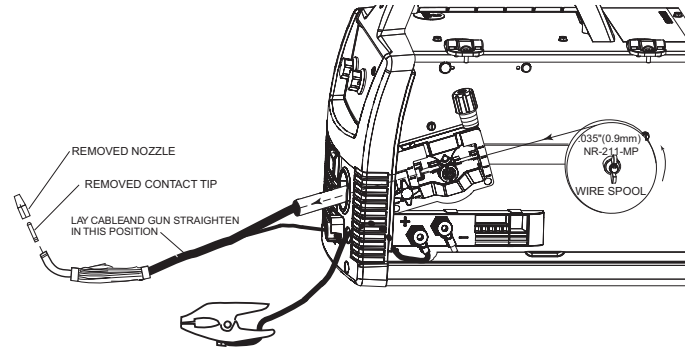


FIGURE B.11

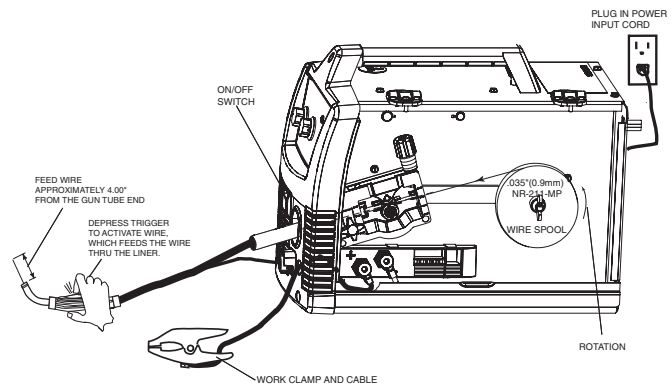
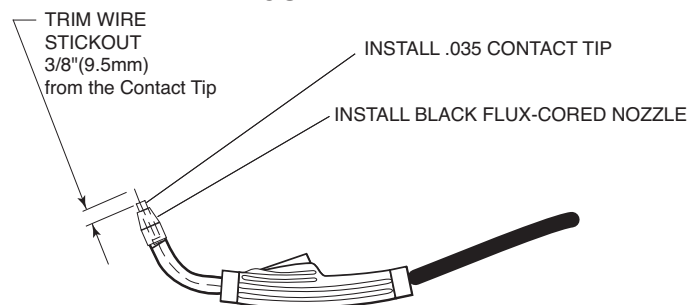


FIGURE B.12



WIRE FEEDER WELDER (180 MODEL)



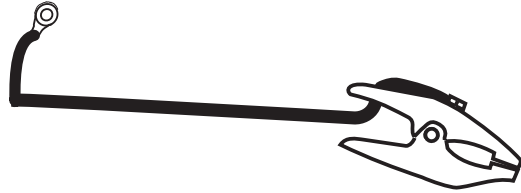
# SETTING UP AND MAKING A MIG WELD

## A. ITEMS NEEDED FOR MIG WELDING

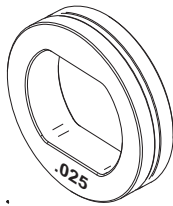
1. .025 Contact Tip



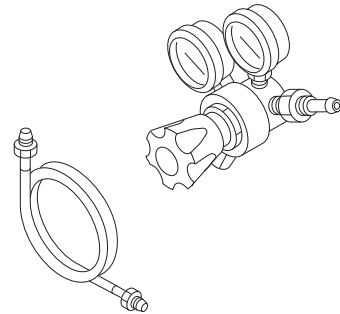
7. Work Cable & Clamp



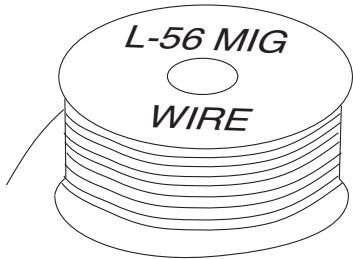
3. .025 Drive Roll



8. Gas Regulator & Gas Line

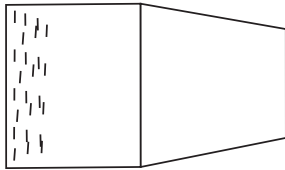


4. .025 SuperArc L-56 Solid MIG Wire

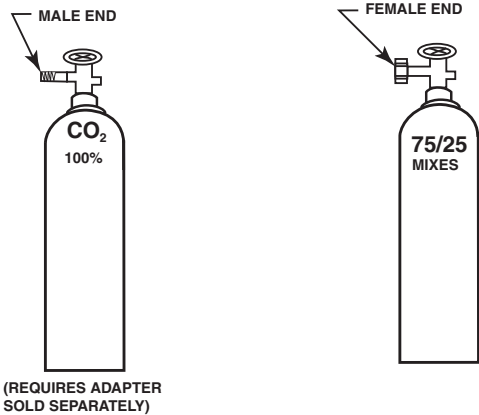
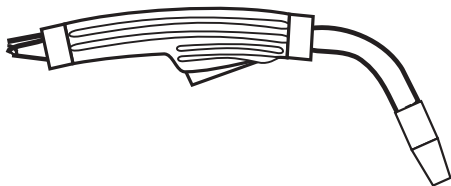


9. Bottle of 75/25 Ar/CO<sub>2</sub> shielding gas (or 100% CO<sub>2</sub> shielding gas) (note this requires a CO<sub>2</sub> regulator adapter which is sold separately).

5. Brass gun nozzle



6. Welding Gun



## B. INSTALL SHIELDING GAS

MIG welding requires an appropriate bottle of shielding gas. For mild steel either a cylinder bottle of Ar/CO<sub>2</sub> or 100% CO<sub>2</sub> can be used refer to the following instructions to properly connect shielding gas to the machine.

### ⚠ WARNING

**CYLINDER may explode if damaged. Keep cylinder upright and chained to support**



- Keep cylinder away from areas where it may be damaged.
- Never lift welder with cylinder attached.
- Never allow welding electrode to touch cylinder.
- Keep cylinder away from welding or other live electrical circuits.

### ⚠ WARNING



**BUILDUP OF SHIELDING GAS may harm health or kill.**

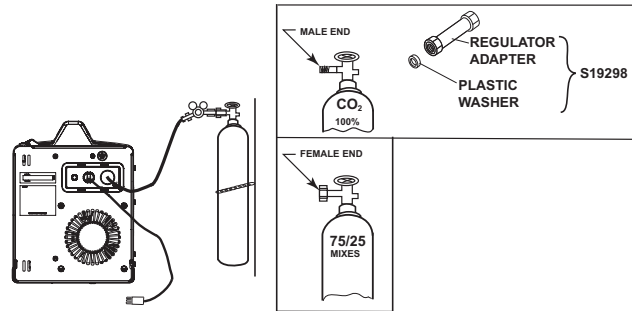
- Shut off shielding gas supply when not in use.

1. Secure the cylinder to a wall or other stationary support to prevent the cylinder from falling over. Insulate the cylinder from the work circuit and earth ground. Refer to Figure B.13.
2. With the cylinder securely installed, remove the cylinder cap. Stand to one side away from the outlet and open the cylinder valve very slightly for an instant. This blows away any dust or dirt which may have accumulated in the valve outlet.

### ⚠ WARNING

**BE SURE TO KEEP YOUR FACE AWAY FROM THE VALVE OUTLET WHEN “CRACKING” THE VALVE. Never stand directly in front of or behind the flow regulator when opening the cylinder valve. Always stand to one side.**

FIGURE B.13



3. Attach the flow regulator to the cylinder valve and tighten the union nut securely with a wrench.

**NOTE:** If connecting to 100% CO<sub>2</sub> cylinder, a CO<sub>2</sub> regulator adapter is required. Purchase separately S19298 CO<sub>2</sub> adapter be sure to install plastic washer included in the fitting on the bottle side.(See Figure B.13 )

4. Refer to Figure B.13. Attach one end of inlet gas hose to the outlet fitting of the flow regulator and tighten the union nut securely with a wrench. Connect the other end to the machine Solenoid Inlet Fitting (5/8-18 female threads — for CGA — 032 fitting). Make certain the gas hose is not kinked or twisted.

## SHIELDING GAS

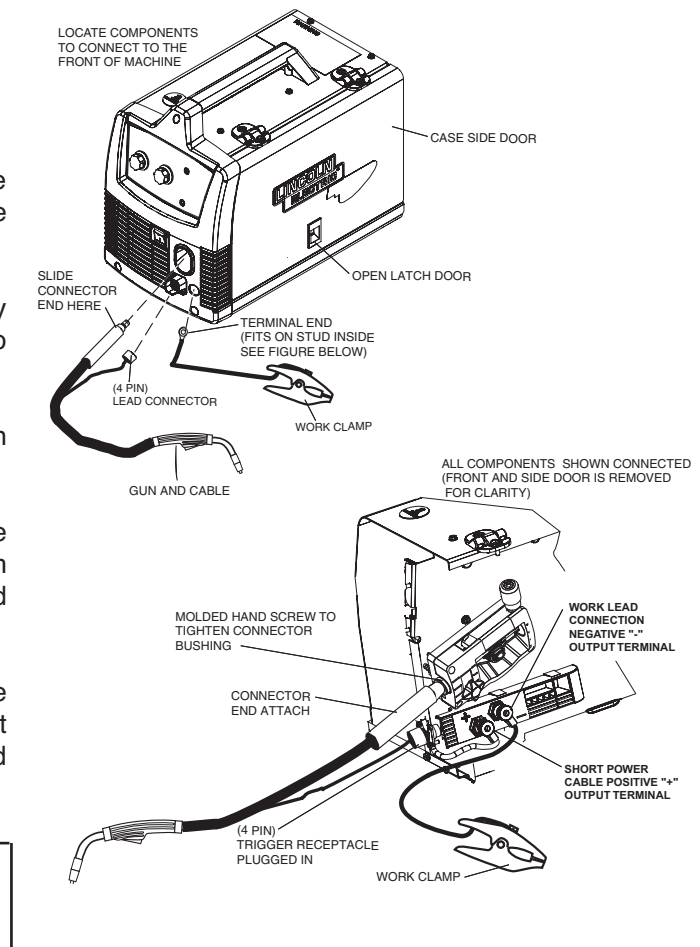
1. For CO<sub>2</sub>, open the cylinder very slowly. For argon-mixed gas, open cylinder valve slowly a fraction of a turn. When the cylinder pressure gauge pointer stops moving, open the valve fully.
2. Set gas flow rate for 30 to 40 cubic feet per hour (14 to 18 l/min.) under normal conditions, increase to as high as 40 to 50 CFH (18 to 23.5 l/min.) under drafty (slightly windy) conditions.
3. Keep the cylinder valve closed, except when using the machine.

## C. CONNECT LEADS AND CABLES ON THE MACHINE

(See Figure B.14)

1. Open the case side door.
2. Slide the connector end of the gun and cable through the hole of the machine front and into the gun connector bushing on the wire drive.
3. Make sure the gun connector end is seated fully into the wire drive and tighten the thumbscrew to secure the gun.
4. Plug the gun trigger lead connector into the 4 pin gun trigger receptacle on the machine front.
5. Wire Drive Polarity. MIG welding requires Positive (+) polarity. Connect the short power cable from the wire drive to the positive (+) output terminal and tighten the thumbscrew.
6. Work Lead Connection. Slide the lugged end of the work cable through the hole in the machine front and place on the negative (-) output terminal and tighten thumbscrew.

FIGURE B.14

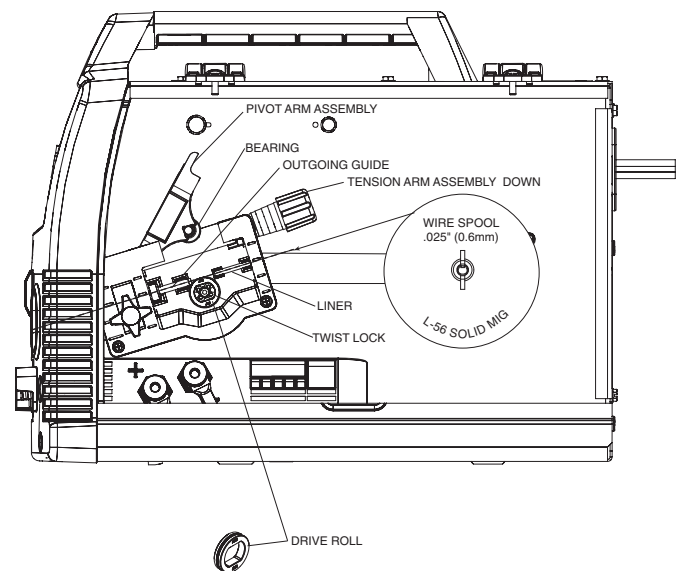


## D. LOAD WIRE SPOOL

(See Figure B.15)

1. Locate the green labeled 4" diameter spool of .025 L-56 solid MIG wire and place onto wire spool spindle. Orient the spool so that the wire feeds off the top of the spool.
2. Secure spool in place by tightening the wing nut against the spacer that holds the wire spool on the spindle.
3. Open the pivot arm assembly by rotating the tension arm assembly down and lift pivot arm assembly up.
4. Remove drive roll by turning the twist lock that holds the drive roll on. Install the .025-.035 smooth grooved drive roll.
5. Carefully unwind and straighten the first six inches of welding wire from the spool. Do not let the end of the wire go to prevent the wire from unspooling.

FIGURE B.15



WIRE FEEDER WELDER (180 MODEL)





(See Figure B.16)

6. Feed the wire through the inlet liner, over the drive roll groove, thru the outgoing guide and wire drive outlet on the gun side.
7. Close the Pivot Arm Assembly and secure by pivoting the Tension Arm Assembly back to the up position.

(See Figure B.17)

8. Remove the nozzle from the gun and contact tip and straighten the gun out flat.
9. Turn the machine power to on and depress the gun trigger to feed the wire through the gun liner until the wire comes out of the threaded end of the gun several inches. (See Figure B.18)
10. When trigger is released spool of wire should not unwind. Adjust wire spool brake accordingly.

### ⚠ WARNING



**MOVING PARTS AND ELECTRICAL CONTACT CAN CAUSE INJURY OR BE FATAL.**

- When the gun trigger is depressed drive rolls, spool of wire and electrode are **ELECTRICALLY LIVE (HOT)**.
  - Keep away from moving parts and pinch points.
  - Keep all Doors, Covers, panels and guards securely in place.
- DO NOT REMOVE OR CONCEAL WARNING LABELS.**



11. Install the .025 contact tip.
12. Install the brass gas MIG welding nozzle to the gun.
13. Trim the wire stickout to 3/8 from the nozzle end. (See Figure B.19)
14. Close the case side door. The machine is now ready to weld.
15. Read "Learn to Weld" (LWTW1) that is included with the machine or watch the "How to Weld" DVD included with the machine.
16. Based on the thickness of the material you are going to weld and the type and diameter of the welding wire set the voltage and the wire feed speed per the procedure decal attached to the inside of the wire drive compartment door.

FIGURE B.16

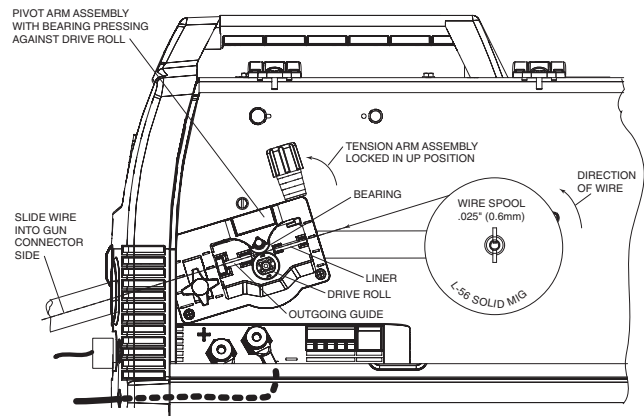


FIGURE B.17

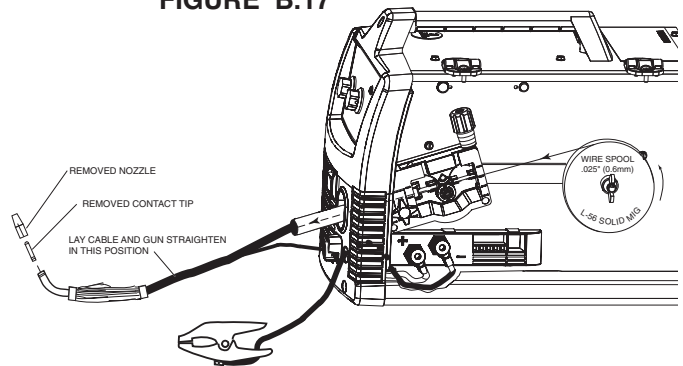


FIGURE B.18

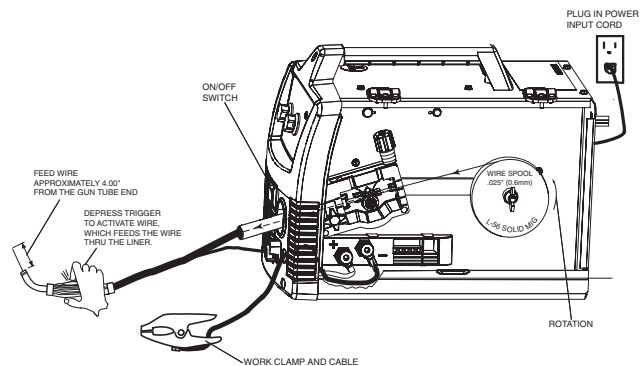
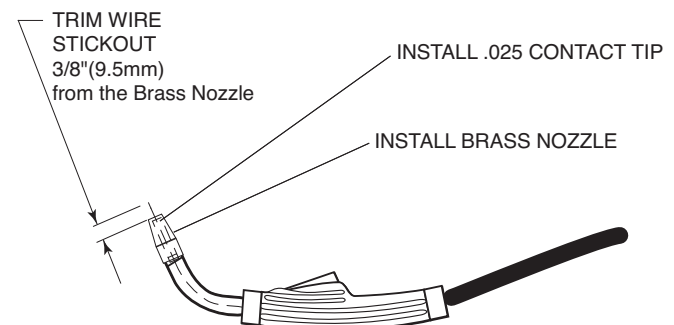


FIGURE B.19



WIRE FEEDER WELDER (180 MODEL)



**SETTING UP AND MAKING A ALUMINUM WELD USING SPOOL GUN**

1. Follow the MIG welding steps in the previous section.
2. Connect a bottle of 100% Argon shielding Gas per previous section.
3. Disconnect Magnum 100L Gun.
4. Install optional K2532-1 Magnum 100SG spool gun per instructions included with gun.
5. Set Gun selector toggle switch to Spool Gun position. (See Figure B.20)

**FIGURE B.20**

6. Turn machine on and make weld per recommended settings on Procedure Decal inside machine door.

**K2525-1 - Spot Timer Kit**

Timer kit, when turned on, allows you to set a fixed weld time so that when the gun trigger is pulled the machine will weld for a fixed time period up to 10 seconds. Ideal for making consistent spot welds when welding on thin sheet metal

**K2528-1 - .045 Innershield Kit (For 230V models)**

Includes everything needed to weld with .045 diameter Innershield wire. Includes an .035/.045 Magnum™ 100L gun liner, .045 Contact Tip, gasless nozzle, knurled drive roll, .035-.045 inner wire guide, and a 10 lb. (4.5kg) spool of .045"(0.9mm) Innershield® NR®-212 wire.

**K2532-1 - Magnum 100SG Pool Gun**

Designed to easily feed small 4" diameter (1lb. spools of) .030 or .035 aluminum wire. Includes gun, adapter kit, three extra .035 contact tips, gas nozzle, and spool of Superglaze 4043 .035" diameter welding wire. Packaged in a convenient carry case.

**K2377-1 - Small Canvas Cover**

Protect your machine when not in use. Made from attractive red canvas that is flame retardant, mildew resistant and water repellent. Includes a convenient side pocket to hold welding gun.



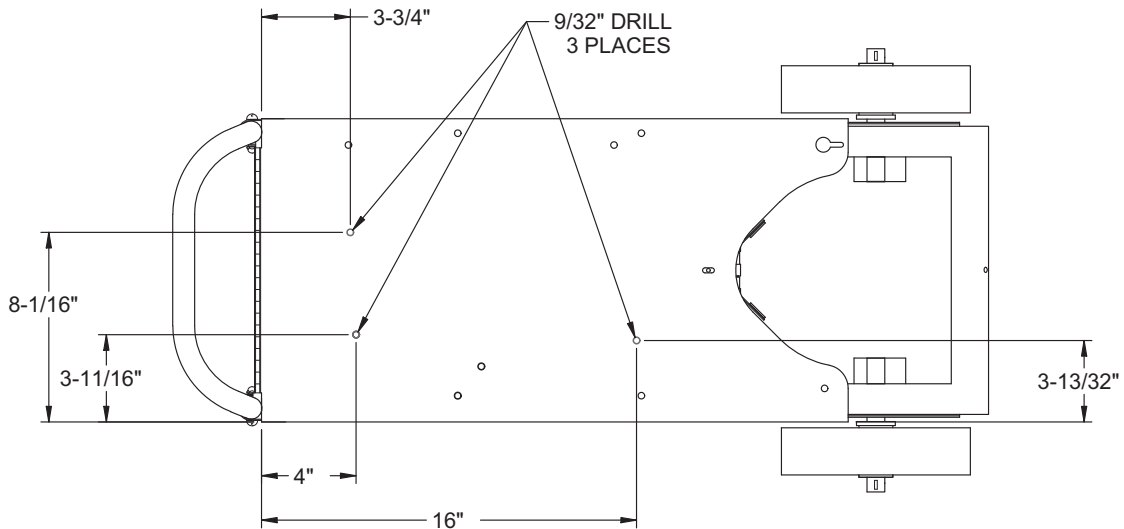
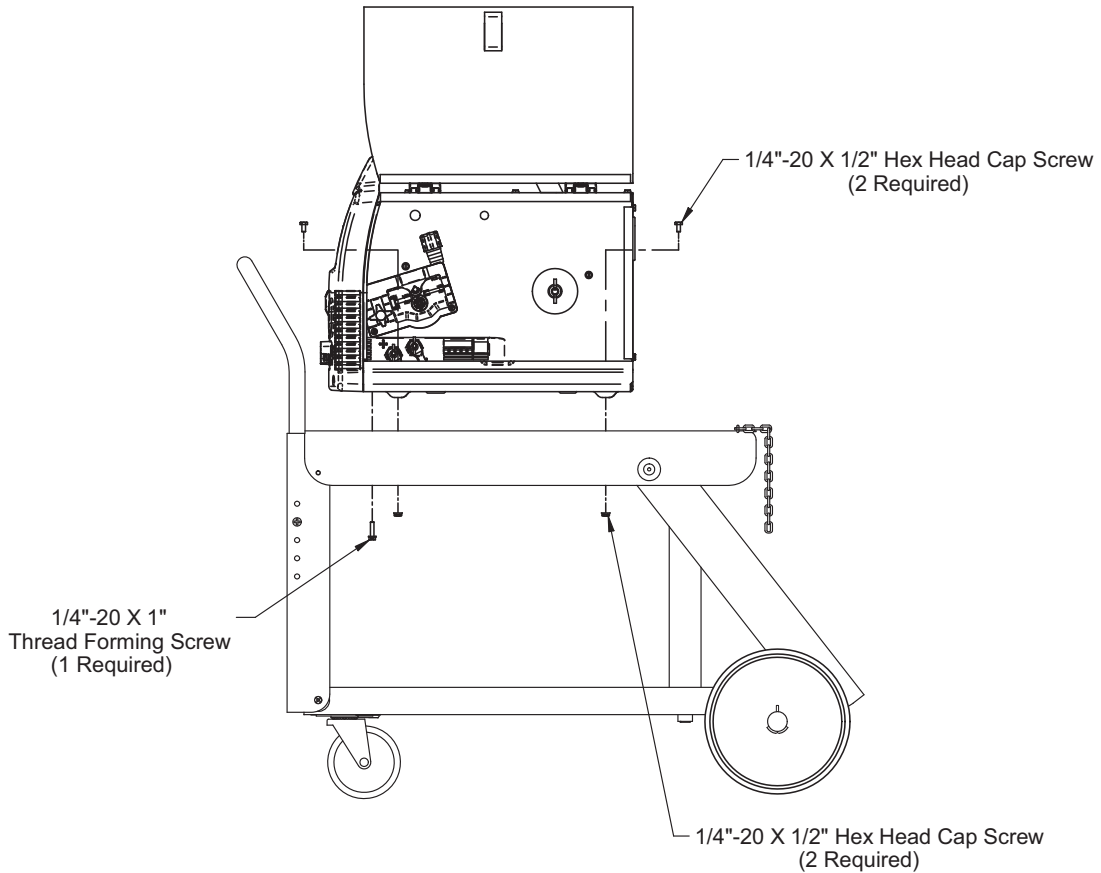
For additional Optional and Miscellaneous Parts  
(See Parts Pages)

**K520—Utility Cart**

Heavy duty cart stores and transports welder, 150 cubic foot shielding gas cylinder, welding cables and accessories. Includes stable platforms for welder and gas bottle platform, lower tray for added storage capacity and adjustable height handle.



For mounting welding machines to K520 carts that do not have slotted mounting holes. Drill 9/32" holes (3 places) into the cart top as shown and attach the welding machine to the cart with the proper hardware shown.



**WIRE FEEDER WELDER (180 MODEL)**

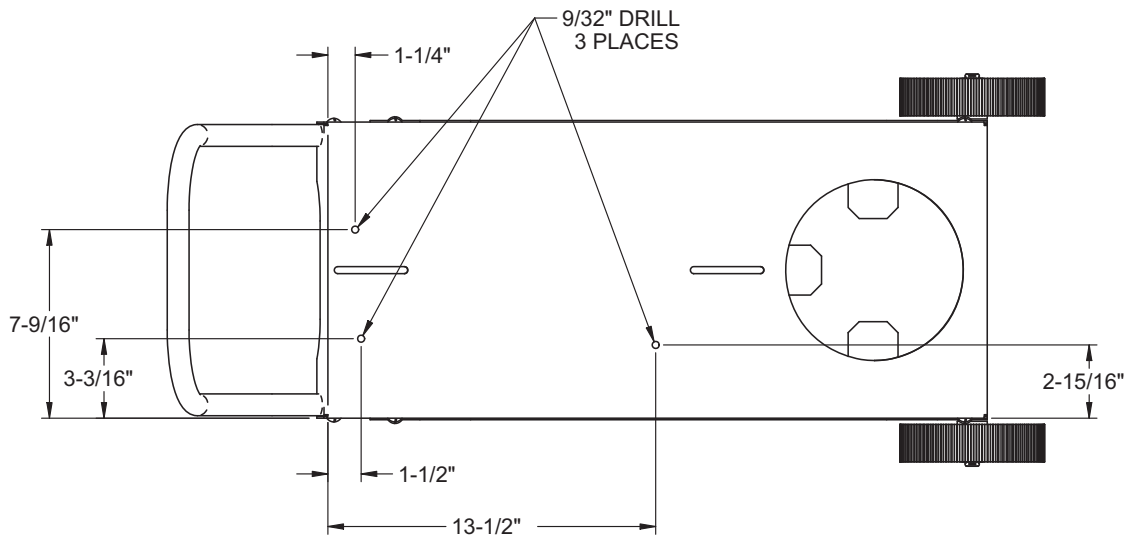
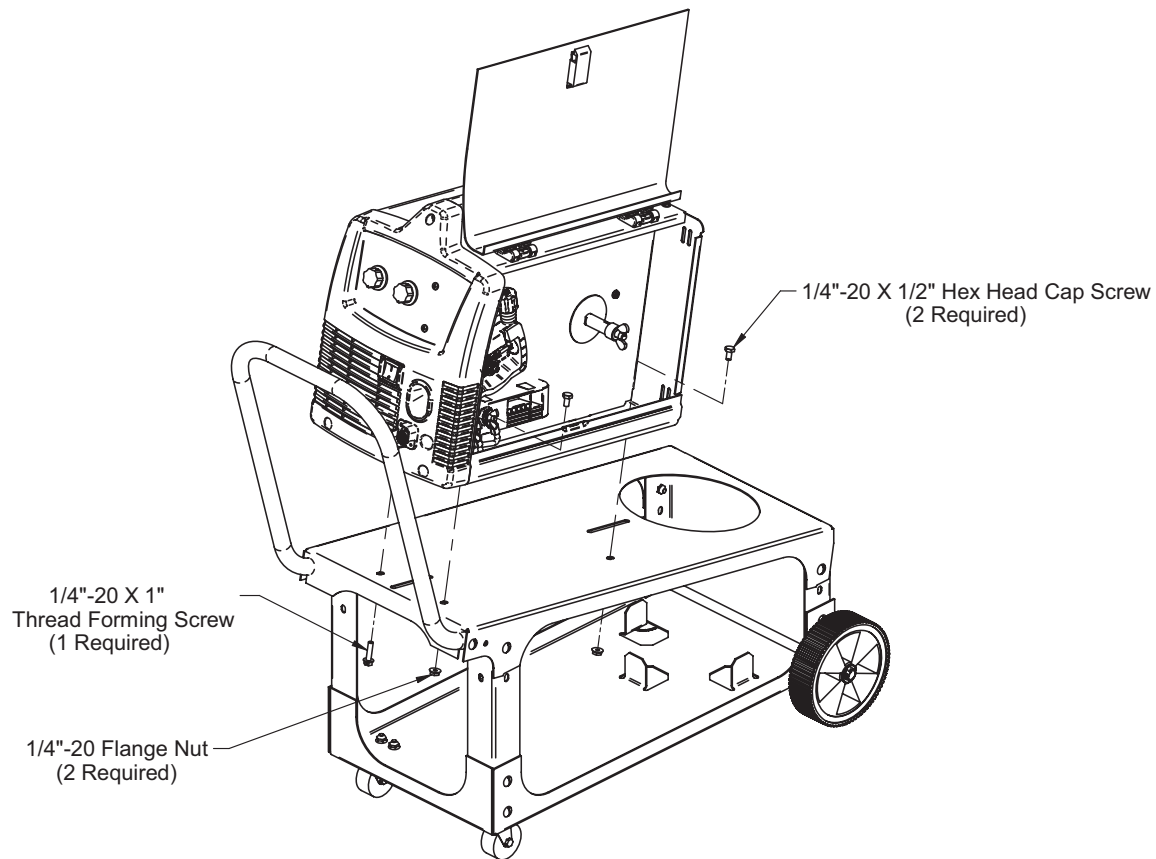


**K2275-1 - Welding Cart**

Lightweight cart stores and transports welder, 80 cubic foot shielding gas cylinder, welding cables and accessories. Includes an angled top shelf for easy access to controls, lower tray for added storage capacity, a sturdy fixed handle and convenient cable wrap hanger.



For mounting welding machines to K2275-1 carts that do not have slotted mounting holes. Drill  $9/32$ " holes (3 places) into the cart top as shown and attach the welding machine to the cart with the proper hardware shown.



**WIRE FEEDER WELDER (180 MODEL)**

**LINCOLN®  
ELECTRIC**

## MAINTENANCE

### SAFETY PRECAUTIONS

#### ⚠ WARNING



**ELECTRIC SHOCK can kill.**

- Disconnect input power by removing plug from receptacle before working inside WIRE FEEDER WELDER (180 MODEL).

Use only grounded receptacle. Do not touch electrically “hot” parts inside WIRE FEEDER WELDER (180 MODEL).

- Have qualified personnel do the maintenance and trouble shooting work.

### ROUTINE MAINTENANCE

#### POWER SOURCE COMPARTMENT

No user serviceable parts inside! Do not attempt to perform service in the power source (fixed) side of the WIRE FEEDER WELDER (180 MODEL). Take the unit to an authorized Lincoln Service Center if you experience problems. NO maintenance is required.

In extremely dusty locations, dirt may clog the air passages causing the welder to run hot with premature tripping of thermal protection. If so, blow dirt out of the welder with low pressure air at regular intervals to eliminate excessive dirt and dust build-up on internal parts.

#### WIRE FEED COMPARTMENT

1. When necessary, vacuum accumulated dirt from gearbox and wire feed section.
2. Occasionally inspect the incoming guide tube and clean inside diameter if necessary.
3. Motor and gearbox have lifetime lubrication and require no maintenance.

#### FAN MOTOR

Has lifetime lubrication — requires no maintenance.

#### WIRE REEL SPINDLE

Requires no maintenance. Do **not** lubricate shaft.

## GUN AND CABLE MAINTENANCE

### FOR MAGNUM™ 100L GUN

#### Gun Cable Cleaning

Clean cable liner after using approximately 300 lbs (136 kg) of solid wire or 50 lbs (23 kg) of flux-cored wire. Remove the cable from the wire feeder and lay it out straight on the floor. Remove the contact tip from the gun. Using low pressure air, gently blow out the cable liner from the gas diffuser end.

#### ⚠ CAUTION

**Excessive pressure at the start may cause the dirt to form a plug.**

Flex the cable over its entire length and again blow out the cable. Repeat this procedure until no further dirt comes out.

#### Contact Tips, Nozzles, and Gun Tubes

1. Dirt can accumulate in the contact tip hole and restrict wire feeding. After each spool of wire is used, remove the contact tip and clean it by pushing a short piece of wire through the tip repeatedly. Use the wire as a reamer to remove dirt that may be adhering to the wall of the hole through the tip.
2. Replace worn contact tips as required. A variable or “hunting” arc is a typical symptom of a worn contact tip. To install a new tip, choose the correct size contact tip for the electrode being used (wire size is stenciled on the side of the contact tip) and screw it snugly into the gas diffuser.
3. Remove spatter from inside of gas nozzle and from tip after each 10 minutes of arc time or as required.
4. Be sure the gas nozzle is fully screwed onto the diffuser for gas shielded processes. For the Innershield® process, the gasless nozzle should screw onto the diffuser.
5. To remove gun tube from gun, remove gas nozzle or gasless nozzle and remove diffuser from gun tube. Remove both collars from each end of the gun handle and separate the handle halves. Loosen the locking nut holding the gun tube in place against the gun end cable connector. Unscrew gun tube from cable connector. To install gun tube, screw the locking nut on the gun tube as far as possible. Then screw the gun tube into the cable connector until it bottoms. Then unscrew (no more than one turn) the gun tube until its axis is perpendicular to the flat sides of the cable connector and pointed in the direction of the trigger. Tighten the locking nut so as to maintain the proper relationship between the gun tube and the cable connector. Replace the gun handle, trigger and diffuser. Replace the gas nozzle or gasless nozzle.

## OVERLOAD PROTECTION

### Output Overload

The WIRE FEEDER WELDER (180 MODEL) is equipped with a circuit breaker and a thermostat which protects the machine from damage if maximum output is exceeded. The circuit breaker button will extend out when tripped. The circuit breaker must be manually reset.

### Thermal Protection

The WIRE FEEDER WELDER (180 MODEL) has a rated output duty cycle as defined in the Technical Specification page. If the duty cycle is exceeded, a thermal protector will shut off the output until the machine cools to a reasonable operating temperature. This is an automatic function of the WIRE FEEDER WELDER (180 MODEL) and does not require user intervention. The fan continues to run during cooling.

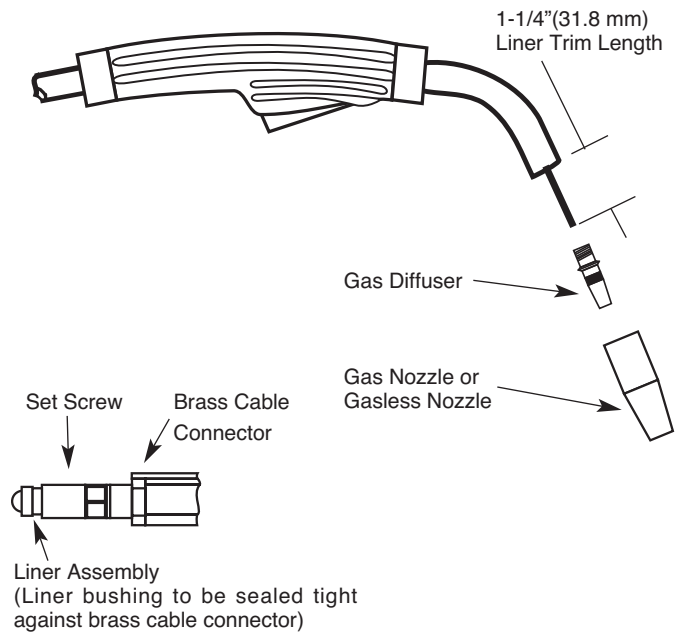
### Electronic Wire Drive Motor Protection

The WIRE FEEDER WELDER (180 MODEL) has built-in protection for wire drive motor overload.

## CHANGING LINER

**NOTICE:** The variation in cable lengths prevents the interchangeability of liners. Once a liner has been cut for a particular gun, it should not be installed in another gun unless it can meet the liner cutoff length requirement. Refer to Figure D.2.

1. Remove the gas nozzle from the gun by unscrewing counter-clockwise.
2. Remove the existing contact tip from the gun by unscrewing counter-clockwise.
3. Remove the gas diffuser from the gun tube by unscrewing counter-clockwise.
4. Lay the gun and cable out straight on a flat surface. Loosen the set screw located in the brass connector at the wire feeder end of the cable. Pull the liner out of the cable.
5. Insert a new untrimmed liner into the connector end of the cable. Be sure the liner bushing is stenciled appropriately for the wire size being used.
6. Fully seat the liner bushing into the connector. Tighten the set screw on the brass cable connector. At this time, the gas diffuser should not be installed onto the end of the gun tube.
7. With the gas nozzle and diffuser removed from the gun tube, be sure the cable is straight, and then trim the liner to the length shown in the Figure D.2. Remove any burrs from the end of the liner.

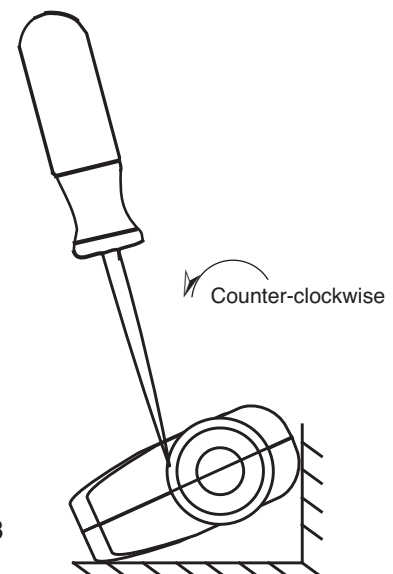


**FIGURE D.2**  
Liner trim length

8. Screw the gas diffuser onto the end of the gun tube and securely tighten.
9. Replace the contact tip and nozzle.

## GUN HANDLE PARTS

The gun handle consists of two halves that are held together with a collar on each end. To open up the handle, turn the collars approximately 60 degrees counter-clockwise until the collar reaches a stop. Then pull the collar off the gun handle. If the collars are difficult to turn, position the gun handle against a corner, place a screwdriver against the tab on the collar and give the screwdriver a sharp blow to turn the collar past an internal locking rib. See Figure D-3.



**FIGURE D.3**

WIRE FEEDER WELDER (180 MODEL)



## HOW TO USE TROUBLESHOOTING GUIDE

### WARNING

Service and Repair should only be performed by Lincoln Electric Factory Trained Personnel. Unauthorized repairs performed on this equipment may result in danger to the technician and machine operator and will invalidate your factory warranty. For your safety and to avoid Electrical Shock, please observe all safety notes and precautions detailed throughout this manual.

This Troubleshooting Guide is provided to help you locate and repair possible machine malfunctions. Simply follow the three-step procedure listed below.

#### **Step 1. LOCATE PROBLEM (SYMPTOM).**

Look under the column labeled “PROBLEM (SYMPTOMS)”. This column describes possible symptoms that the machine may exhibit. Find the listing that best describes the symptom that the machine is exhibiting.

#### **Step 2. POSSIBLE CAUSE.**

The second column labeled “POSSIBLE CAUSE” lists the obvious external possibilities that may contribute to the machine symptom.

#### **Step 3. RECOMMENDED COURSE OF ACTION**

This column provides a course of action for the Possible Cause, generally it states to contact your local Lincoln Authorized Field Service Facility.

If you do not understand or are unable to perform the Recommended Course of Action safely, contact your local Lincoln Authorized Field Service Facility.

### CAUTION

If for any reason you do not understand the test procedures or are unable to perform the tests/repairs safely, contact your **Local Lincoln Authorized Field Service Facility** for technical troubleshooting assistance before you proceed.



Observe all Safety Guidelines detailed throughout this manual

PROBLEMS (SYMPTOMS)	POSSIBLE CAUSE	RECOMMENDED COURSE OF ACTION
<b>OUTPUT PROBLEMS</b>		
Major physical or electrical damage is evident.	“Do not Plug in machine or turn it on”. Contact your local Authorized Field Service Facility.	If all recommended possible areas of misadjustment have been checked and the problem persists, <b>Contact your local Lincoln Authorized Field Service Facility.</b>
No wire feed, weld output or gas flow when gun trigger is pulled. Fan does NOT operate.	<ol style="list-style-type: none"> <li>1. Make sure correct voltage is applied to the machine.</li> <li>2. Make certain that power switch is in the ON position.</li> <li>3. Make sure circuit breaker is reset.</li> </ol>	
No wire feed, weld output or gas flow when gun trigger is pulled. Fan operates normally.	<ol style="list-style-type: none"> <li>1. The thermostat may be tripped due to overheating. Let machine cool. Weld at lower duty cycle.</li> <li>2. Check for obstructions in air flow. Check Gun Trigger connections. See Installation section.</li> <li>3. Gun trigger may be faulty.</li> </ol>	

PROBLEMS (SYMPTOMS)	POSSIBLE CAUSE	RECOMMENDED COURSE OF ACTION
<b>FEEDING PROBLEMS</b>		
No wire feed when gun trigger is pulled. Fan runs, gas flows and machine has correct open circuit voltage (33V) – weld output.	<ol style="list-style-type: none"> <li>1. If the wire drive motor is running make sure that the correct drive rolls are installed in the machine.</li> <li>2. Check for clogged cable liner or contact tip.</li> <li>3. Check for proper size cable liner and contact tip.</li> </ol>	If all recommended possible areas of misadjustment have been checked and the problem persists, <b>Contact your local Lincoln Authorized Field Service Facility.</b>

**⚠ CAUTION**

If for any reason you do not understand the test procedures or are unable to perform the tests/repairs safely, contact your **Local Lincoln Authorized Field Service Facility** for technical troubleshooting assistance before you proceed.

**WIRE FEEDER WELDER (180 MODEL)**



Observe all Safety Guidelines detailed throughout this manual

PROBLEMS (SYMPTOMS)	POSSIBLE CAUSE	RECOMMENDED COURSE OF ACTION
<b>GAS FLOW PROBLEMS</b>		
Low or no gas flow when gun trigger is pulled. Wire feed, weld output and fan operate normally.	<ol style="list-style-type: none"> <li>1. Check gas supply, flow regulator and gas hoses.</li> <li>2. Check gun connection to machine for obstruction or leaky seals.</li> </ol>	<p>If all recommended possible areas of misadjustment have been checked and the problem persists, <b>Contact your local Lincoln Authorized Field Service Facility.</b></p>

PROBLEMS (SYMPTOMS)	POSSIBLE CAUSE	RECOMMENDED COURSE OF ACTION
<b>WELDING PROBLEMS</b>		
Arc is unstable – Poor starting	<ol style="list-style-type: none"> <li>1. Check for correct input voltage to machine.</li> <li>2. Check for proper electrode polarity for process.</li> <li>3. Check gun tip for wear or damage and proper size – Replace.</li> <li>4. Check for proper gas and flow rate for process. (For MIG only.)</li> <li>5. Check work cable for loose or faulty connections.</li> <li>6. Check gun for damage or breaks.</li> <li>7. Check for proper drive roll orientation and alignment.</li> <li>8. Check liner for proper size.</li> </ol>	<p>If all recommended possible areas of misadjustment have been checked and the problem persists, <b>Contact your local Lincoln Authorized Field Service Facility.</b></p>

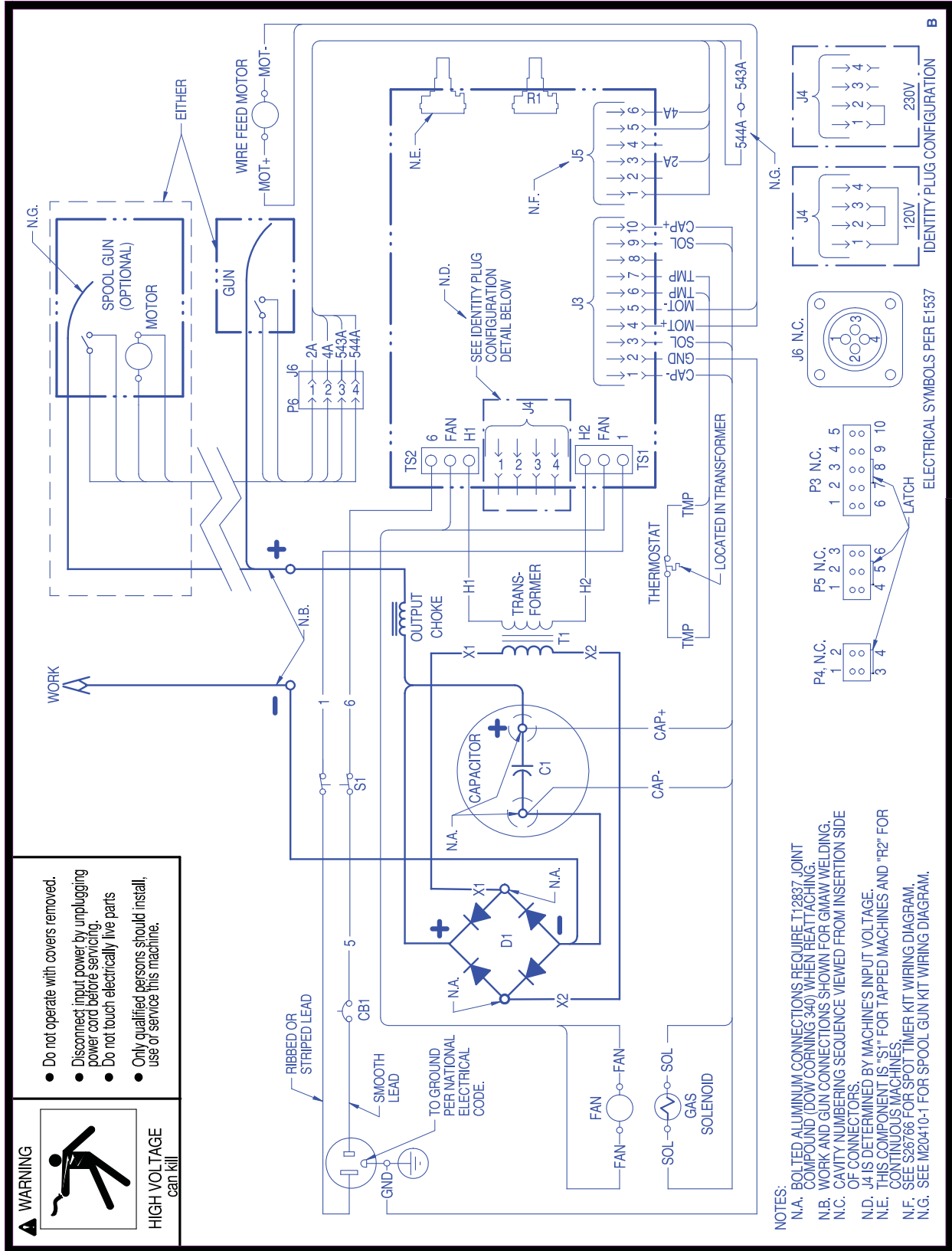
### CAUTION

If for any reason you do not understand the test procedures or are unable to perform the tests/repairs safely, contact your **Local Lincoln Authorized Field Service Facility** for technical troubleshooting assistance before you proceed.

**WIRE FEEDER WELDER (180 MODEL)**



WIRING DIAGRAM

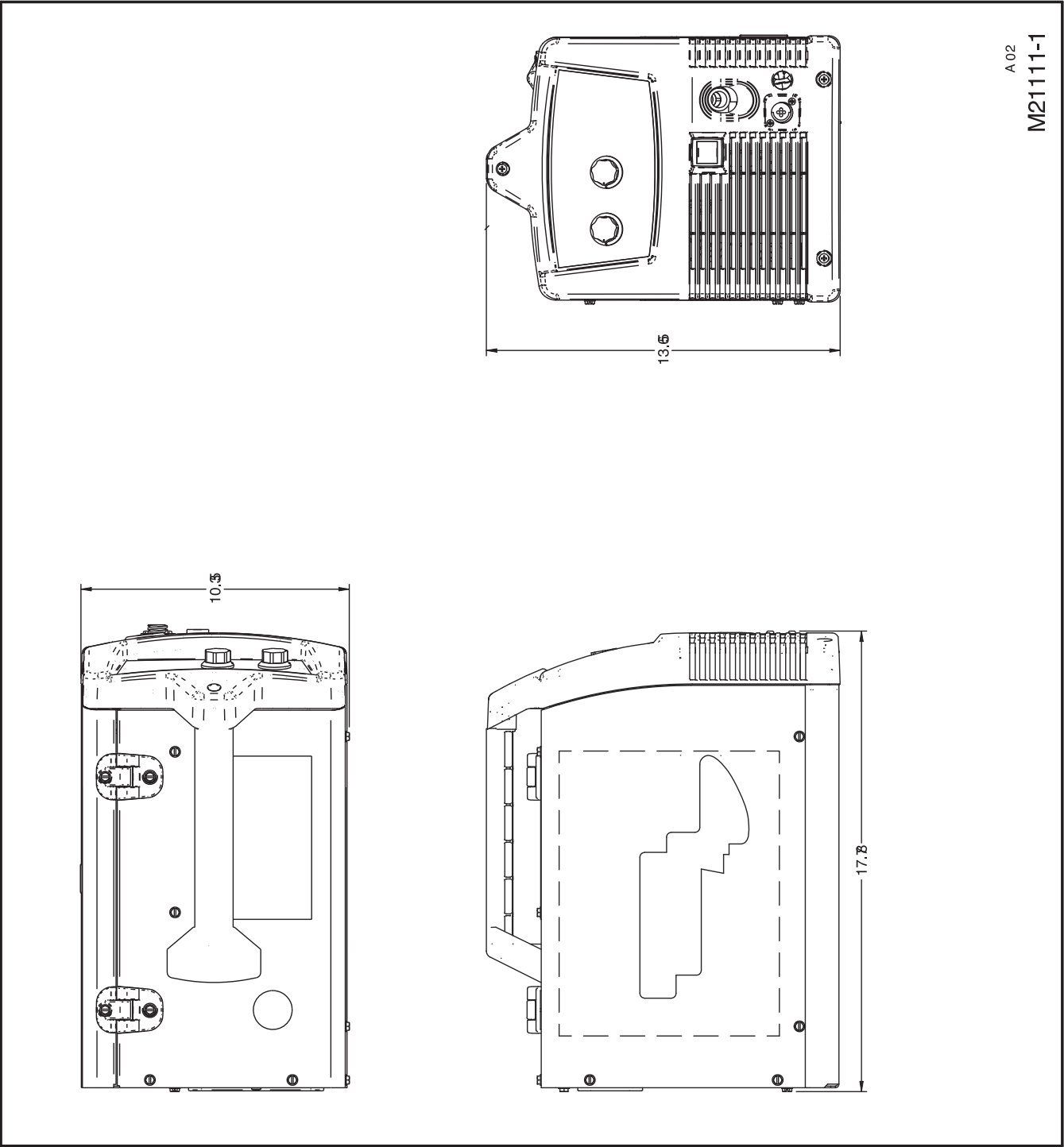


M20410

NOTE: This diagram is for reference only. It may not be accurate for all machines covered by this manual. The specific diagram for a particular code is pasted inside the machine on one of the enclosure panels.

WIRE FEEDER WELDER (180 MODEL)





WIRE FEEDER WELDER (180 MODEL)



# NOTES

---

WIRE FEEDER WELDER (180 MODEL)

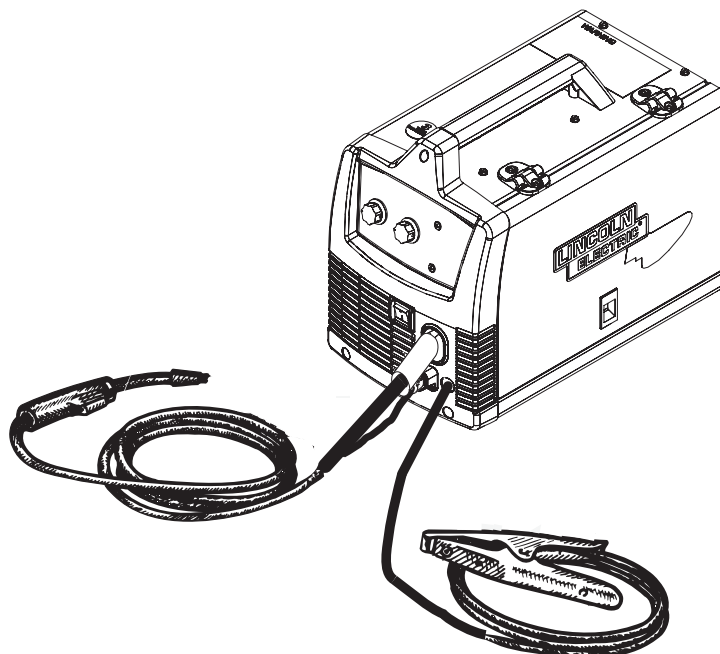


# ALIMENTADOR DE ALAMBRE SOLDADORA (MODELOS 180)

Para usarse con máquinas con Números de Código: 11646, 11647, 11648, 11649, 11650

## TABLA DE CONTENIDO

<b>Instalación</b> .....	<b>Sección A</b>
Especificaciones Técnicas .....	.A-1
Precauciones de Seguridad .....	.A-1
Selección de una Ubicación Adecuada .....	.A-1
Estibación .....	.A-1
Inclinación .....	.A-1
Identificación y Ubicación de los Componentes for 180 .....	.A-2
<b>Operación</b> .....	<b>Sección B</b>
Seguridad y Descripción del Producto .....	.B-1
Controles y Configuraciones .....	.B-2, B-3
Rodillo Impulsor y Tabla de Guías de Alambre .....	.B-4
Preparación y Realización de una Soldadura de Alambre Tubular .....	.B-4 a B-6
Preparación y Realización de una Soldadura MIG e Instalación del Gas Protector .....	B-7 a B-10
Preparación y Realización de una Soldadura de Aluminio .....	.B-11
<b>Accesorios</b> .....	<b>Sección C</b>
Accesorios Opcionales .....	.C-1
Carros Utilitarios .....	.C-2, C-3
<b>Mantenimiento</b> .....	<b>Sección D</b>
Precauciones de Seguridad .....	.D-1
Compartimento de Alimentación de Alambre, Motor del Ventilador, Mantenimiento del Carrete de Alambre .....	.D-1
Mantenimiento de la Pistola y Cable .....	.D-2
Protección contra Sobrecarga .....	.D-2
Procedimientos de Reemplazo de Componentes .....	.D-2
<b>Localización de Averías</b> .....	<b>Sección E</b>
Precauciones de Seguridad .....	.E-1
Cómo Utilizar la Guía de Localización de Averías .....	.E-1
Guía de Localización de Averías .....	.E-2 a E-3
<b>Diagrama de Cableado &amp; Dibujo de Dimensión.</b> <b>Sección F</b>	
<b>Páginas de las Piezas</b> .....	.P-660, P-202-E



## La Seguridad Depende de Usted

El equipo de soldadura de arco y corte de Lincoln está diseñado y construido teniendo la seguridad en mente. Sin embargo, es posible aumentar su seguridad general a través de una instalación apropiada... y una operación cuidadosa de su parte. **NO INSTALE, OPERE O REPARE ESTE EQUIPO SIN LEER ESTE MANUAL Y LAS PRECAUCIONES DE SEGURIDAD CONTENIDAS EN EL MISMO.** Y lo más importante, piense antes de actuar y tenga cuidado.



Copyright © Lincoln Global Inc.

• Líder mundial en productos de soldadura y corte •

• Ventas y Servicio a través de las Subsidiarias y Distribuidores en todo el Mundo •

Cleveland, Ohio 44117-1199 U.S.A. TEL: 216.481.8100 FAX: 216.486.1751 WEB SITE: www.lincolnelectric.com

# GRACIAS POR ADQUIRIR UN PRODUCTO DE PRIMERA CALIDAD DE LINCOLN ELECTRIC.

## COMPRUEBE QUE LA CAJA Y EL EQUIPO ESTÉN EN PERFECTO ESTADO DE INMEDIATO

El comprador pasa a ser el propietario del equipo una vez que la empresa de transportes lo entrega en destino. Consecuentemente, cualquier reclamación por daños materiales durante el envío deberá hacerla el comprador ante la empresa de transportes cuando se entregue el paquete.

## LA SEGURIDAD DEPENDE DE USTED

Los equipos de corte y soldadura por arco de Lincoln se diseñan y fabrican teniendo presente la seguridad. No obstante, la seguridad en general aumenta con una instalación correcta ... y un uso razonado por su parte. **NO INSTALE, UTILICE NI REPARE EL EQUIPO SI NO SE HA LEÍDO ESTE MANUAL Y LAS MEDIDAS DE SEGURIDAD QUE SE INCLUYEN EN EL MISMO.** Y, sobre todo, piense antes de actuar y sea siempre cauteloso.

### ATENCIÓN

Verá este cuadro siempre que deba seguir exactamente alguna instrucción con objeto de evitar daños físicos graves o incluso la muerte.

### PRECAUCIÓN

Verá este cuadro siempre que deba seguir alguna instrucción con objeto de evitar daños físicos leves o daños materiales.



## NO SE ACERQUE AL HUMO.

NO se acerque demasiado al arco. Si es necesario, utilice lentillas para poder trabajar a una distancia razonable del arco.

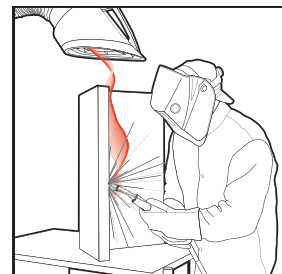
LEA y ponga en práctica el contenido de las hojas de datos sobre seguridad y el de las etiquetas de seguridad que encontrará en las cajas de los materiales para soldar.

**TRABAJE EN ZONAS VENTILADAS** o instale un sistema de extracción, a fin de eliminar humos y gases de la zona de trabajo en general.

**SI TRABAJA EN SALAS GRANDES O AL AIRE LIBRE**, con la ventilación natural será suficiente siempre que aleje la cabeza de los humos (v. a continuación).

**APROVÉCHESE DE LAS CORRIENTES DE AIRE NATURALES** o utilice ventiladores para alejar los humos.

Hable con su supervisor si presenta algún síntoma poco habitual. Es posible que haya que revisar el ambiente y el sistema de ventilación.



## UTILICE PROTECTORES OCULARES, AUDITIVOS Y CORPORALES CORRECTOS

**PROTÉJASE** los ojos y la cara con un casco para soldar de su talla y con una placa de filtrado del grado adecuado (v. la norma Z49.1 del ANSI).

**PROTÉJASE** el cuerpo de las salpicaduras por soldadura y de los relámpagos del arco con ropa de protección, como tejidos de lana, guantes y delantal ignífugos, pantalones de cuero y botas altas.

**PROTEJA** a los demás de salpicaduras, relámpagos y ráfagas con pantallas de protección.



**EN ALGUNAS ZONAS**, podría ser necesaria la protección auricular.

**ASEGÚRESE** de que los equipos de protección estén en buen estado.

Utilice gafas de protección en la zona de trabajo **EN TODO MOMENTO.**



## SITUACIONES ESPECIALES

**NO SUELDE NI CORTE** recipientes o materiales que hayan estado en contacto con sustancias de riesgo, a menos que se hayan lavado correctamente. Esto es extremadamente peligroso.

**NO SUELDE NI CORTE** piezas pintadas o galvanizadas, a menos que haya adoptado medidas para aumentar la ventilación. Estas podrían liberar humos y gases muy tóxicos.

## Medidas preventivas adicionales

**PROTEJA** las bombonas de gas comprimido del calor excesivo, de las descargas mecánicas y de los arcos; asegure las bombonas para que no se caigan.

**ASEGÚRESE** de que las bombonas nunca pasen por un circuito eléctrico.

**RETIRE** cualquier material inflamable de la zona de trabajo de soldadura.

**TENGA SIEMPRE A LA MANO UN EQUIPO DE EXTINCIÓN DE FUEGOS Y ASEGÚRESE DE SABER UTILIZARLO.**



## SECCIÓN A: ADVERTENCIAS



### ADVERTENCIAS DE ACUERDO CON LA PROPOSICIÓN 65 PARA CALIFORNIA



**ADVERTENCIA:** De acuerdo con el Estado de California (EE. UU.), respirar los gases de escape de los motores de diésel provoca cáncer, anomalías congénitas y otras toxicidades para la función reproductora.

- Arranque y utilice el motor siempre en una zona bien ventilada.
- Si se encuentra en una zona sensible, asegúrese de expulsar los gases de escape.
- No modifique ni altere el sistema de expulsión de gases.
- No deje el motor en ralentí a menos que sea necesario.

Para saber más, acceda a [www.P65warnings.ca.gov/diesel](http://www.P65warnings.ca.gov/diesel)

**ADVERTENCIA:** Cuando se usa para soldar o cortar, el producto provoca humos y gases que, de acuerdo con el Estado de California, provocan anomalías congénitas y, en algunos casos, cáncer (§ 25249.5 y siguientes del Código de Salud y Seguridad del Estado de California).



**ADVERTENCIA:** Cáncer y toxicidades para la función reproductora ([www.P65warnings.ca.gov](http://www.P65warnings.ca.gov))

**LA SOLDADURA POR ARCO PUEDE SER PELIGROSA. PROTÉJASE Y PROTEJA A LA PERSONAS DE SU ENTORNO DE POSIBLES LESIONES FÍSICAS GRAVES O INCLUSO LA MUERTE. NO PERMITA QUE LOS NIÑOS SE ACERQUEN. LOS PORTADORES DE MARCAPASOS DEBERÁN ACUDIR A SU MÉDICO ANTES DE UTILIZAR EL EQUIPO.**

Lea y comprenda las siguientes instrucciones de seguridad. Si quiere saber más sobre seguridad, le recomendamos que adquiera una copia de la norma Z49.1 del ANSI "Seguridad en los trabajos de corte y soldadura" a través de la Sociedad Estadounidense de Soldadura (P.O. Box 351040, Miami, Florida 33135) o de la norma W117.2-1974 de CSA. Podrá recoger una copia gratuita del folleto E205, "Seguridad en los procesos de soldadura por arco", en Lincoln Electric Company, situada en 22801 St. Clair Avenue, Cleveland, Ohio 44117-1199.

**ASEGÚRESE DE QUE LOS PROCESOS DE INSTALACIÓN, USO, MANTENIMIENTO Y REPARACIÓN LOS LLEVE A CABO ÚNICAMENTE UN TÉCNICO CUALIFICADO AL RESPECTO.**



### PARA EQUIPOS DE MOTOR.

- Apague el motor antes de iniciar la resolución de problemas y el trabajo de mantenimiento, a menos que el motor deba estar encendido para efectuar el trabajo de mantenimiento.
- Utilice el motor en zonas abiertas y bien ventiladas o asegúrese de expulsar todos los gases de escape del motor al aire libre.



- No ponga carburante cerca de un arco de soldadura con llama ni cuando el motor esté en funcionamiento. Detenga el motor y deje que se enfríe antes de volver a repostar para evitar las pérdidas de combustible derivadas de la evaporación al entrar en contacto con las partes del motor que estén calientes. No derrame combustible al llenar el depósito. Si derrama algo de combustible, límpielo y no arranque el motor hasta que los gases se hayan evaporado.
- Asegúrese de que todos los componentes, cubiertas de seguridad y piezas del equipo estén bien instalados y en buen estado. No acerque las manos, el pelo, la ropa ni las herramientas a la correa trapezoidal, engranajes, ventiladores y otras piezas móviles al arrancar, utilizar y reparar el equipo.
- En algunos casos, podría ser necesario retirar las cubiertas de seguridad para dar el mantenimiento necesario. Retire las cubiertas solo cuando sea necesario y vuelva a colocarlas en cuanto termine de hacer la tarea por la que las haya retirado. Sea extremadamente cauteloso cuando trabaje cerca de piezas móviles.
- No coloque las manos cerca del ventilador del motor. No trate de hacer funcionar el regulador o el eje portador pulsando el acelerador mientras que el motor esté en marcha.
- Para evitar arrancar un motor de gasolina de forma accidental al cambiar el motor o el generador de soldadura, desconecte los cables de la bujía, la tapa del distribuidor o el dinamomagneto, según sea necesario.
- Para evitar quemaduras, no retire la tapa de presión del radiador mientras que el motor esté caliente.



### LOS CAMPOS ELECTROMAGNÉTICOS PUEDEN SER PELIGROSOS.



- El flujo de corriente eléctrica por los conductores genera campos electromagnéticos (EM) localizados. La corriente de soldadura genera campos EM en los cables para soldar y en los soldadores.
- Los campos EM pueden interferir con ciertos marcapasos, por lo que los operarios portadores de marcapasos deberán acudir a su médico antes de soldar.
- La exposición a los campos EM de la soldadura podría tener otros efectos sobre la salud que aún se desconocen.
- Los operarios deberán ajustarse a los siguientes procedimientos para reducir al mínimo la exposición a los campos EM derivados del circuito del soldador:
  - Guíe los cables auxiliares y del electrodo a la vez y utilice cinta adhesiva siempre que sea posible.
  - No se enrolle las derivaciones del electrodo por el cuerpo.
  - No se coloque entre el electrodo y los cables auxiliares. Si el cable del electrodo queda a su derecha, el cable auxiliar también deberá quedar a su derecha.
  - Conecte el cable auxiliar a la pieza de trabajo lo más cerca posible de la zona en la que se esté soldando.
  - No trabaje junto a la fuente de alimentación del equipo.





## UNA DESCARGA ELÉCTRICA LE PUEDE MATAR.



- 3.a. Los circuitos auxiliar (tierra) y del electrodo están vivos desde el punto de vista eléctrico cuando el soldador está encendido. No toque dichas partes "vivas" con el cuerpo. Tampoco las toque si lleva ropa que esté mojada. Utilice guantes secos y herméticos para aislarse las manos.
- 3.b. Aísle la pieza de trabajo y el suelo con un aislante seco. Asegúrese de que el aislante sea lo suficientemente amplio como para cubrir toda la zona de contacto físico con la pieza y el suelo.

**Además de adoptar las medidas de seguridad habituales, si debe soldar en condiciones arriesgadas desde el punto de vista eléctrico (en zonas húmedas o mientras lleva ropa mojada; en estructuras metálicas como suelos, rejas o andamios; en posiciones poco habituales, como sentado, de rodillas o tumbado, si hay probabilidades de tocar de forma accidental la pieza de trabajo o el suelo), el operario deberá utilizar los siguientes equipos:**

- Soldador (TIG) semiautomático para corriente continua (CC)
  - Soldador (electrodo) manual para CC
  - Soldador para CA con control reducido de la tensión
- 3.c. En los equipos TIG automáticos o semiautomáticos, el electrodo, el carrete del electrodo, el cabezal del equipo, la boquilla y la pistola semiautomática también están vivas desde el punto de vista de la electricidad.
  - 3.d. Asegúrese de que el cable auxiliar presente una buena conexión eléctrica con el metal que se esté soldando. La conexión deberá hacerse lo más cerca posible de la zona de trabajo.
  - 3.e. Haga una buena conexión a tierra con la pieza de trabajo o el metal que vaya a soldar.
  - 3.f. Mantenga el soporte del electrodo, las pinzas, el cable del equipo y la máquina de soldar en buen estado de funcionamiento. Cambie el aislante si está dañado.
  - 3.g. Nunca sumerja el electrodo en agua para enfriarlo.
  - 3.h. No toque nunca de forma simultánea las piezas vivas desde el punto de vista eléctrico de los soportes de los electrodos conectados a los dos equipos, ya que la tensión existente entre las dos podría ser equivalente a la tensión de los circuitos de los dos equipos.
  - 3.i. Cuando tenga que trabajar por encima del nivel del suelo, utilice un arnés a modo de protección por si se produjera una descarga y se cayera.
  - 3.j. Consulte también los apartados 6.c. y 8.



## LAS RADIACIONES DEL ARCO QUEMAN.



- 4.a. Utilice un protector con el filtro y las cubiertas debidos para protegerse los ojos de las chispas y de las radiaciones del arco cuando esté soldando u observando una soldadura por arco. Los protectores faciales y las lentes de filtrado deberán adaptarse a las normas ANSI Z87.1.
- 4.b. Utilice ropa adecuada y fabricada con materiales ignífugos y duraderos para protegerse la piel y proteger a sus compañeros de las radiaciones del arco.
- 4.c. Proteja a los técnicos que estén en las inmediaciones con una pantalla ignífuga y pídale que no miren al arco y que no se expongan a la radiación del arco ni a las salpicaduras.



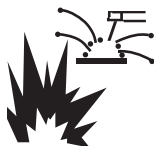
## LOS HUMOS Y GASES PUEDEN SER PELIGROSOS.



- 5.a. Al soldar, se pueden generar humos y gases peligrosos para la salud. Evite respirar dichos humos y gases. Si va a soldar, no se acerque al humo. Asegúrese de que haya una buena ventilación en la zona del arco para garantizar que no se respiren los humos y gases. **Si debe soldar superficies revestidas (consulte las instrucciones del contenedor o las hojas de datos sobre seguridad) o superficies de plomo, acero u otros metales cadmiados, asegúrese de exponerse lo menos posible y de respetar los PEL (límites de exposición permisibles) de la OSHA y los TLV (valores límite) de la ACGIH. Para ello, utilice los sistemas de extracción y de ventilación locales, a menos que la evaluación de la exposición indiquen lo contrario. En espacios cerrados y, en algunos casos, en espacios abiertos, necesitará un respirador. Además, deberá tomar precauciones adicionales cuando suelde acero galvanizado.**
- 5.b. La función del equipo de control del humo de la soldadura se ve afectada por varios factores, como el uso y la colocación correctos del equipo, el mantenimiento del equipo y los procedimientos concretos aplicados a la hora de soldar. El nivel de exposición de los trabajadores deberá comprobarse en el momento de la instalación y de forma periódica después de entonces, a fin de garantizar que este se ajuste a los PEL de la OSHA y a los TLV de la ACGIH.
- 5.c. No utilice el equipo para soldar en zonas rodeadas de vapores de hidrocarburo clorado procedentes de operaciones de desengrasado, limpieza o pulverización. El calor y la radiación del arco pueden reaccionar con los vapores del disolvente y formar fosgeno, un gas muy tóxico, y otros productos irritantes.
- 5.d. Los gases de protección que se utilizan en la soldadura por arco pueden desplazar el aire y provocar lesiones o incluso la muerte. Asegúrese de que haya suficiente ventilación, en particular en zonas cerradas, para garantizar que el aire que respire sea seguro.
- 5.e. Lea y comprenda las instrucciones del fabricante del equipo y de los fungibles utilizados, incluidas la hojas de datos sobre seguridad, y siga las prácticas de seguridad aprobadas por su empresa. Obtendrá hojas de datos sobre seguridad de la mano de su distribuidor de equipos de soldar o del propio fabricante.
- 5.f. Consulte también el apartado 1.b.




## LAS CHISPAS DERIVADAS DE CORTES Y SOLDADURAS PUEDEN PROVOCAR INCENDIOS O EXPLOSIONES.



- 6.a. Elimine cualquier factor de riesgo de incendio de la zona de trabajo. Si no fuera posible, cubra los materiales para evitar que las chispas puedan crear un incendio. Recuerde que las chispas derivadas de las soldaduras pueden pasar con facilidad, a través de grietas pequeñas a zonas adyacentes. Además, los materiales pueden calentarse con rapidez. Evite soldar cerca de conductos hidráulicos. Asegúrese de tener un extintor a la mano.
- 6.b. Si tuviera que usar bombonas de gas comprimido en las zonas de trabajo, tome las medidas apropiadas para evitar situaciones de riesgo. Consulte el documento "Seguridad en los trabajos de corte y soldadura" (norma Z49.1 del ANSI) y los datos de funcionamiento del equipo utilizado.
- 6.c. Cuando no esté utilizando el equipo, asegúrese de que el circuito del electrodo no toque en absoluto la zona de trabajo ni el suelo. Si se pusieran en contacto de forma accidental, dichas partes podrían sobrecalentarse y provocar un incendio.
- 6.d. No caliente, corte ni suelde depósitos, bobinas o contenedores hasta que se haya asegurado de que tales procedimientos no harán que los vapores inflamables o tóxicos del interior de dichas piezas salgan al exterior. Estos pueden provocar explosiones incluso si se han "limpiado". Para saber más, adquiera el documento "Prácticas seguras y recomendables de preparación para los procesos de corte y soldadura de contenedores y conductos que han contenido sustancias peligrosas" (AWS F4.1) a través de la Sociedad Estadounidense de Soldadura (consulte la dirección más arriba).
- 6.e. Ventile los contenedores y piezas de fundición antes de calentarlos, cortarlos o soldarlos. Podrían explotar.
- 6.f. El arco de soldadura desprende chispas y salpicaduras. Utilice prendas de protección, como guantes de piel, camisas gruesas, pantalones sin dobladillos, botas altas y un gorro para el pelo. Utilice un protector auricular cuando suelde en un lugar distinto del habitual o en espacios cerrados. Cuando esté en la zona de trabajo, utilice siempre gafas de protección con blindaje lateral.
- 6.g. Conecte el cable auxiliar tan cerca de la zona de trabajo como le sea posible. Conectar los cables auxiliares a la estructura del edificio o a cualquier otra ubicación distinta de la zona de trabajo aumenta las probabilidades de que la corriente pase por cadenas de elevación, cables de grúas u otros circuitos alternos. Esto podría generar un riesgo de incendio y sobrecalentar los cables y cadenas de elevación hasta que fallaran.
- 6.h. Consulte también el apartado 1.c.
- 6.i. Lea y comprenda la norma NFPA 51B, "Norma para la prevención de incendios en trabajos de soldadura y corte entre otros", disponible a través de la NFPA, situada en 1 Batterymarch Park, PO box 9101, Quincy, MA 022690-9101.
- 6.j. No utilice las fuentes de alimentación del equipo para descongelar conductos.



## SI SE DAÑAN, LAS BOMBONAS PUEDEN EXPLOTAR.

- 7.a. Utilice únicamente bombonas de gas comprimido que contengan los gases de protección adecuados para el proceso en cuestión, así como reguladores diseñados para un gas y presión concretos. Todos los conductos, empalmes, etc. deberán ser adecuados para el uso en cuestión y mantenerse en buen estado. 
- 7.b. Guarde las bombonas siempre en vertical y asegúrelas correctamente a un bastidor o a un soporte fijo.
- 7.c. Las bombonas deberán almacenarse:
  - Alejadas de aquellas zonas en las que puedan recibir golpes o estar sujetas a daños físicos.
  - A una distancia segura de las zonas de soldadura por arco y de corte y de cualquier otra fuente de calor, chispas o llamas.
- 7.d. No deje que el electrodo, el soporte del electrodo ni ninguna otra pieza viva desde el punto de vista eléctrico entre en contacto con una bombona.
- 7.e. No acerque la cabeza ni la cara a la válvula de salida de la bombona cuando abra dicha válvula.
- 7.f. Las tapas de protección de la válvula siempre deberán estar en su sitio y bien apretadas, excepto cuando la bombona se esté utilizando o esté conectada.
- 7.g. Lea y comprenda las instrucciones relativas a las bombonas de gas comprimido, las instrucciones del material asociado y la publicación P-I de la CGA, "Precauciones para la manipulación segura de las bombonas de gas comprimido", disponible a través de la Asociación de Gas Comprimido, situada en 14501 George Carter Way Chantilly, VA 20151.



## PARA EQUIPOS ELÉCTRICOS.



- 8.a. Desconecte la potencia de entrada a través del interruptor de desconexión del cuadro de fusibles antes de empezar a trabajar con el equipo.
- 8.b. Instale el equipo de acuerdo con el Código Eléctrico Nacional de EE. UU., los códigos locales aplicables y las recomendaciones del fabricante.
- 8.c. Conecte el equipo a tierra de acuerdo con el Código Eléctrico Nacional de EE. UU. y las recomendaciones del fabricante.

**Consulte**  
<http://www.lincolnelectric.com/safety>  
**para saber más sobre la seguridad.**

**ESPECIFICACIONES TÉCNICAS Unidades de 180 Amps (K2481-1, K2515-1, K2659-1, K2689-1, K2698-1)**
**ENTRADA - MONOFÁSICA SOLAMENTE**

<b><u>Voltaje/Frecuencia Estándar</u></b>		<b><u>Corriente de Entrada</u></b>	
230 V	60 Hz	20 Amps a salida nominal	20 Amps a salida nominal
208 V	60 Hz		

**SALIDA NOMINAL**

<b><u>Voltaje/Ciclo de Trabajo</u></b>		<b><u>Corriente</u></b>	<b><u>Voltaje a Amperes Nominales</u></b>
230 V	30%	130 Amps	20
208 V	30%	130 Amps	17

**SALIDA**

<b><u>Rango de Corriente de Soldadura</u></b> 30-180 Amps	<b><u>Voltaje de Circuito Abierto</u></b> 34 V	<b><u>Rango de Velocidad de Alambre</u></b> 50 - 500 pulg./min. (1.3 - 12.7 m/min.)
--	---	---

**TAMAÑOS RECOMENDADOS DE CABLES DE ENTRADA Y FUSIBLES**

<b><u>Voltaje/Frecuencia de Entrada</u></b>	<b><u>Tamaño de Fusible o Interruptor<sup>1</sup></u></b>	<b><u>Amps de Entrada</u></b>	<b><u>Cable de Alimentación</u></b>
230 V      60 Hz	Quemado lento de 40 Amps	20	50 Amp, 250 V, Enchufe de Tres Entradas (Tipo NEMA 6-50P)

**DIMENSIONES FÍSICAS**

<b><u>Altura</u></b>	<b><u>Ancho</u></b>	<b><u>Profundidad</u></b>	<b><u>Peso</u></b>
13.7 pulg. 347 mm	10.15 pulg. 258 mm	17.9 pulg. 454 mm	64 lbs 29 kg

<sup>1</sup> Si se conecta a un circuito protegido por fusibles, utilice el Fusible de Demora de Tiempo marcado con una "D".

Lea toda la sección de instalación antes de empezar la misma.

**PRECAUCIONES DE SEGURIDAD**
**⚠ ADVERTENCIA**


La **DESCARGA ELÉCTRICA** puede causar la muerte.

- Sólo personal calificado puede realizar esta instalación.
- Sólo el personal que haya leído y comprendido el Manual de Operación de las SOLDADORAS DE ALIMENTACION DE ALAMBRE deberá instalar y operar este equipo.
- La máquina debe enchufarse a un receptáculo que esté aterrizado conforme a cualquier código nacional, local o cualquier otro que aplique.
- El interruptor de encendido de las SOLDADORAS DE ALIMENTACION DE ALAMBRE deberá estar en la posición de APAGADO ("O") cuando se instale el cable de trabajo y pistola, y cuando se conecte el cable de alimentación a la alimentación.

**SELECCIÓN DE UNA UBICACIÓN ADECUADA**

Coloque la soldadora en un lugar seco donde haya libre circulación de aire limpio hacia adentro de las rejillas en la parte posterior y hacia el frente de la unidad. Una ubicación que minimiza la cantidad de humo y suciedad que entra en las rejillas traseras reduce la posibilidad de acumular suciedad que pudiera bloquear los pasajes de aire y provocar sobrecalentamiento.

**ESTIBACIÓN**

La SOLDADORA DE ALIMENTACION DE ALAMBRE (MODELOS 180) no puede estibarse.

**INCLINACIÓN**

Cada máquina debe colocarse directamente sobre una superficie segura y nivelada o sobre un carro recomendado. La máquina puede caerse si no se sigue este procedimiento.

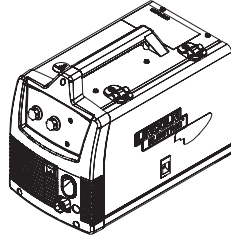
SOLDADORAS DE ALIMENTACION DE ALAMBRE (180 MODELOS)



**IDENTIFICACIÓN Y LOCALIZACIÓN DE COMPONENTES PARA UNIDADES DE 180 AMP**

**COMPONENTES INCLUIDOS**

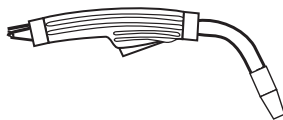
- Soldadora de Alimentador de Alambre



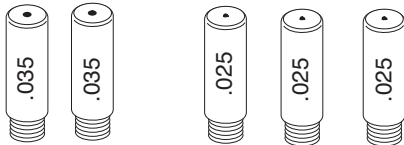
- Cable de Trabajo y Pinza.



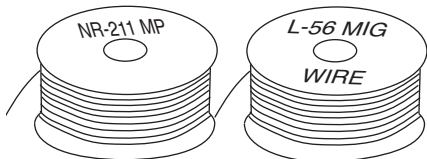
- Pistola de Soldadura Magnum 100L.



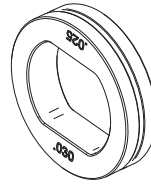
- 3 Puntas de Contacto 0.035 (1 instalada en la pistola de soldadura).
- 3 Puntas de Contacto 0.025.



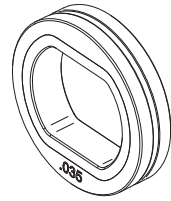
- Carrete de Alambre Tubular Innershield NR-211MP de 0.035 de diámetro.
- Carrete de Alambre MIG L-56 de 0.025 de diámetro.



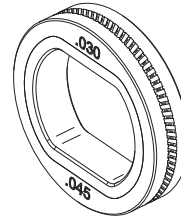
- Rodillo Impulsor Suave 0.025/.030



- Rodillo Impulsor Suave 0.035



- Rodillo Impulsor Estriado .030 -.045 (Instalado en la Máquina)



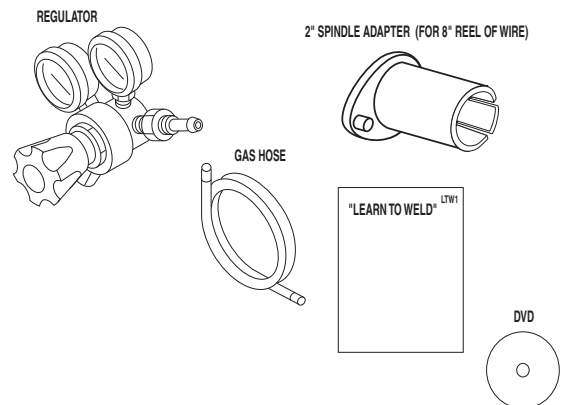
- Tobera de Pistola Sin Gas Autoprottegida Negra (Instalada en la Pistola de Soldadura)



- Tobera de Pistola con Gas MIG de Bronce



- Adaptador de Eje de 2" (Para un Carrete de Alambre de 8")
- Regulador
- Manguera de Gas
- Aprenda a Soldar (Manual LTW1)
- DVD



**SOLDADORAS DE ALIMENTACION DE ALAMBRE (180 MODELOS)**



Lea toda la sección de operación antes de operar la SOLDADORAS DE ALIMENTACION DE ALAMBRE.

## ⚠ ADVERTENCIA



La **DESCARGA ELÉCTRICA** puede causar la muerte.

- No toque partes eléctricamente vivas o electrodos con la piel o ropa mojada. Aíslese del trabajo y tierra.
- Siempre use guantes aislantes secos.



Los **HUMOS Y GASES** pueden resultar peligrosos.

- Mantenga su cabeza alejada de los humos.
- Use ventilación o escape para eliminar los humos de la zona de respiración.



Las **CHISPAS DE SOLDADURA** pueden provocar un incendio o explosión.

- Mantenga lejos el material inflamable.
- No suelde en contenedores cerrados.



Los **RAYOS DEL ARCO** pueden quemar.

- Utilice protección para los ojos, oídos y cuerpo.

Observe la información de seguridad a lo largo de este manual.

## DESCRIPCIÓN DEL PRODUCTO (CAPACIDADES DEL PRODUCTO)

Estas pequeñas soldadoras de alimentación de alambre portátiles son capaces de soldadura MIG en acero, acero inoxidable y aluminio. También son capaces de soldadura de alambre tubular en acero suave.

La soldadura MIG significa soldadura con Gas Inerte Metálico y requiere una botella separada de gas protector para proteger la soldadura hasta que se enfría. Es posible adquirir gas protector adecuado con base en el tipo de material que está soldando de su distribuidor local de gas de soldadura. La soldadura MIG es ideal para soldar en materiales más delgados y limpios cuando se requiere una soldadura de apariencia cosmética excelente y muy limpia. Un ejemplo podrían ser los paneles de carrocerías automotrices.

La soldadura tubular/autoprotegida no requiere gas protector separado para proteger la soldadura, ya que cuenta con aditivos especiales conocidos como fundentes para proteger a la soldadura hasta que se enfría. La Soldadura de Alambre Tubular es ideal para materiales medianamente o muy gruesos, y para soldar en acero pintado u oxidado. Este tipo de soldadura es también ideal en aplicaciones al aire libre donde las condiciones de viento pueden alejar el gas protector MIG de la soldadura. La soldadura de alambre tubular produce una soldadura de buena apariencia pero no excelente como la MIG.

Su máquina incluye los elementos necesarios para soldar en acero con el proceso de soldadura MIG o el de alambre tubular. Para soldar en acero inoxidable, es posible adquirir en forma separada un alambre de soldadura de acero inoxidable opcional. Esta máquina puede soldar aluminio utilizando un alambre de soldadura de aluminio 4043 de 0.035 de diámetro. Ya que el alambre de soldadura de aluminio es suave, se recomienda una antorcha "Spool Gun" de aluminio para mejores resultados. Dentro de la puerta de la máquina se localiza una etiqueta que proporciona sugerencias de configuraciones de soldadura.

## ABREVIATURAS DE SOLDADURA COMUNES

### GMAW (MIG)

- Soldadura de Arco Metálico con Gas

### FCAW (Innershield or Outershield)

- Soldadura de Arco Tubular

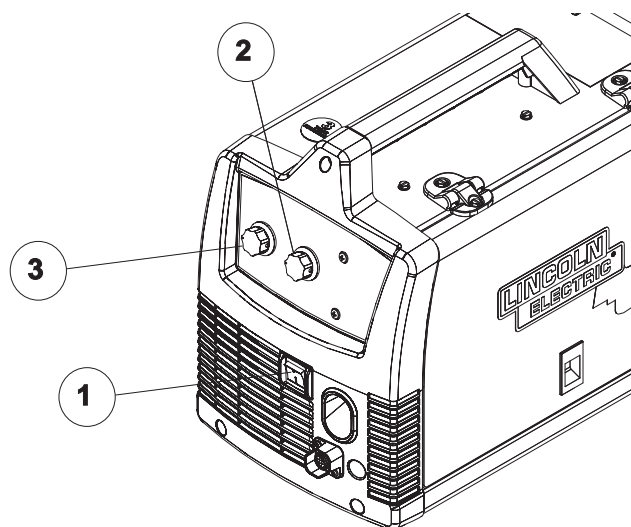
## CONTROLES Y CONFIGURACIONES

Esta máquina cuenta con los siguientes controles:

Vea la Figura B.1

1. **INTERRUPTOR DE ENCENDIDO** – Apaga y enciende la máquina.
2. **CONTROL DE VOLTAJE DE ARCO** – Esta perilla establece el voltaje de salida de la máquina. Junto con la velocidad de alimentación de alambre (WFS), este control establece un procedimiento de soldadura. Consulte la etiqueta de procedimientos en la puerta del compartimiento del mecanismo de alimentación para establecer un procedimiento de soldadura correcto con base en el tipo de material y grosor que se está soldando.
3. **CONTROL DE VELOCIDAD DE ALIMENTACIÓN DE ALAMBRE (WFS)** – Esta perilla establece la velocidad con que la máquina alimenta alambre. Junto con el voltaje de arco, este control establece un procedimiento de soldadura. Consulte la etiqueta de procedimientos en la puerta del compartimiento del mecanismo de alimentación para establecer un procedimiento de soldadura correcto con base en el tipo de material y grosor que se está soldando.

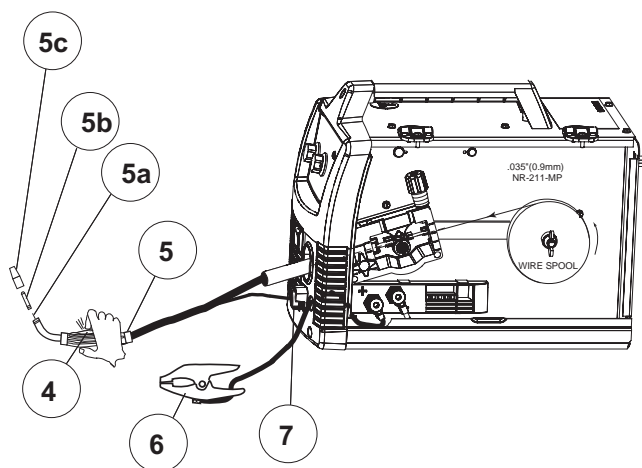
FIGURA B.1



Vea la Figura B.2

4. **GATILLO DE LA PISTOLA** – Aplanar el gatillo activa al mecanismo de alimentación para alimentar alambre y energiza la salida de la máquina. Aplane el gatillo para soldar y suéltelo para detener la soldadura.
5. **PISTOLA DE SOLDADURA** – Entrega alambre y corriente de soldadura a la soldadora.
  - a. Guía de alambre de la pistola – el alambre se desplaza a través de la guía desde el mecanismo de alimentación. La guía de alambre de la pistola alimenta alambre 0.025 a 0.035. La máquina 180A puede soldar con alambre 0.045 si una guía de alambre opcional 0.045 está instalada en la pistola.
  - b. Punta de Contacto – proporciona contacto eléctrico al alambre.
  - c. Tobera – Al soldar con alambre tubular, la tobera negra protege las roscas de montaje en la pistola. Al soldar MIG, la tobera de bronce canaliza el gas protector a la soldadura.
6. **PINZA Y CABLE DE TRABAJO** – Se abraza a la pieza de trabajo que se está soldando y completa el circuito de soldadura eléctrico.
7. **RECEPTÁCULO DEL CONECTOR DEL GATILLO DE LA PISTOLA** – Enchufe el conector del gatillo de 4 pines a este receptáculo.

FIGURA B.2



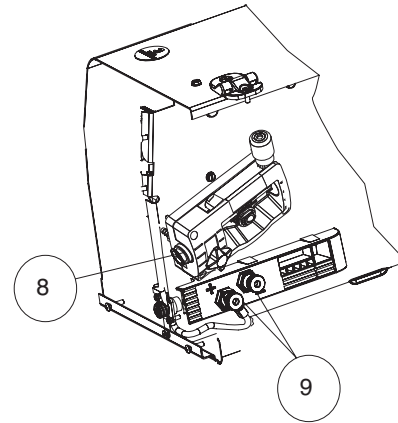
Vea la Figura B.3

### 8. BUJE Y TORNILLO MARIPOSA DEL CONECTOR DE LA PISTOLA DE SOLDADURA –

Proporciona energía eléctrica a la pistola de soldadura. El tornillo mariposa sujeta la pistola de soldadura al bloque del conector. (Por razones de claridad, el Frente de la Máquina, Puerta Lateral y Cubierta del Mecanismo de Alimentación fueron removidos de los Elementos 8 y 9).

9. **TERMINALES DE SALIDA** – Estas conexiones permiten cambiar la polaridad de soldadura de la máquina dependiendo de si está realizando una soldadura MIG o de alambre tubular.

FIGURA B.3

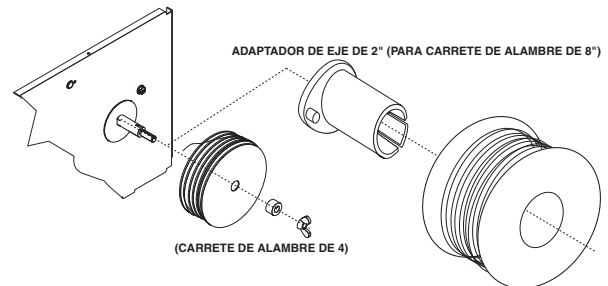


Vea la Figura B.4

### 10. EJE Y FRENO DEL CARRETE DE ALAMBRE –

Sostiene a un carrete de 4 pulgadas de diámetro. Utilice un adaptador de eje de 2 pulgadas para utilizar carretes de 8 pulgadas de diámetro. El tornillo mariposa establece la fricción de frenado para evitar que el carrete gire cuando se suelta el gatillo.

FIGURA B.4



Vea la Figura B.5

11. **MECANISMO DE ALIMENTACIÓN Y COMPONENTES** – Alimenta alambre desde el carrete de alambre a través del mecanismo y la pistola a la soldadura.

a. **Rodillo Impulsor** – Impulsa el alambre a través del sistema de impulsión. El rodillo impulsor tiene una ranura que corresponde al tipo y diámetro del alambre especificado. Consulte la Tabla B.1 para los rodillos impulsores disponibles.

b. **Guía de salida y enderezador** – El enderezador guía el alambre entre el rodamiento del Esamble del Brazo móvil y el Rodillo Impulsor y a través de la guía de salida.

c. **Tornillo Mariposa de Tensión del Rodillo Impulsor** – Girar a la derecha aumenta la fuerza en los rodillos impulsores y a la izquierda la disminuye.

FIGURA B.5

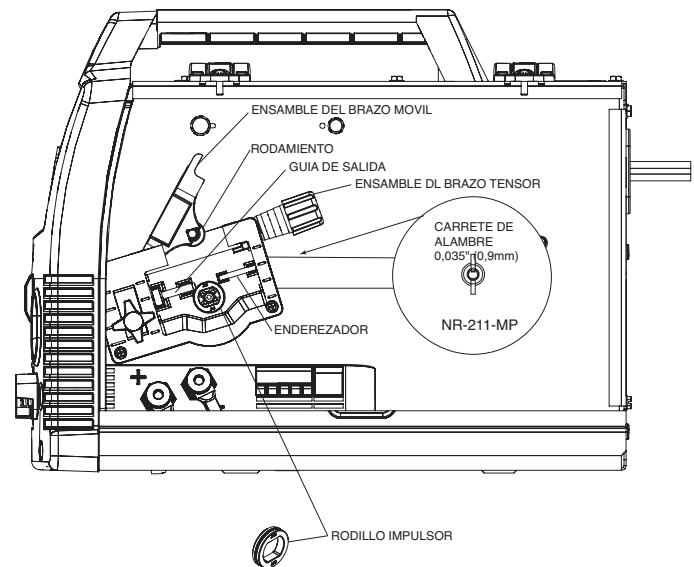


TABLA B.1  
RODILLOS IMPULSORES

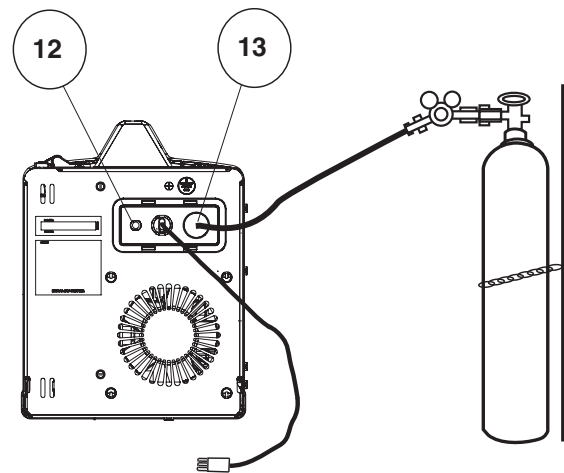
Diámetro y Tipo del Alambre	Rodillo Impulsor	No. de Parte del Rodillo Impulsor
Alambre MIG 0.025	Rodillo Impulsor Suave 0.025/.030	KP2529-1
Alambre MIG 0.030		
Alambre MIG 0.035	Rodillo Impulsor Suave 0.035	KP2529-2
Alambre Tubular 0.030	Rodillo Impulsor Estriado 0.030/0.045	KP2529-3
Alambre Tubular 0.035		
Alambre Tubular 0.045	Rodillo Impulsor Estriado 0.030/0.045	KP2529-3

Vea la Figura B.6

**12. INTERRUPTOR AUTOMÁTICO** – Si la corriente de entrada nominal de la máquina se excede, el interruptor automático se abre. Oprima para restablecer.

**13. ENTRADA DE GAS** – El gas protector se conecta a esta entrada.

FIGURA B.6



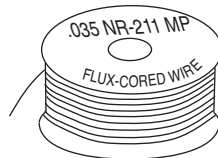
## PREPARACIÓN Y REALIZACIÓN DE UNA SOLDADURA DE ALAMBRE TUBULAR

### A. ELEMENTOS NECESARIOS PARA UNA SOLDADURA DE ALAMBRE TUBULAR

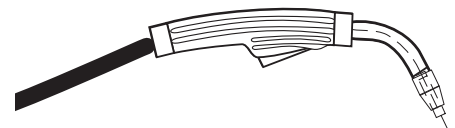
1. Punta de Contacto 0.035



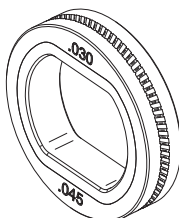
3. Alambre Tubular NR-211MP 0.035



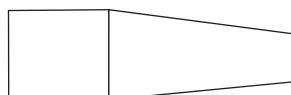
5. Pistola de Soldadura



2. Rodillo Impulsor Estriado



4. Tobera de Pistola Autoprotectada Negra



7. Cable y Pinza de Trabajo Negra



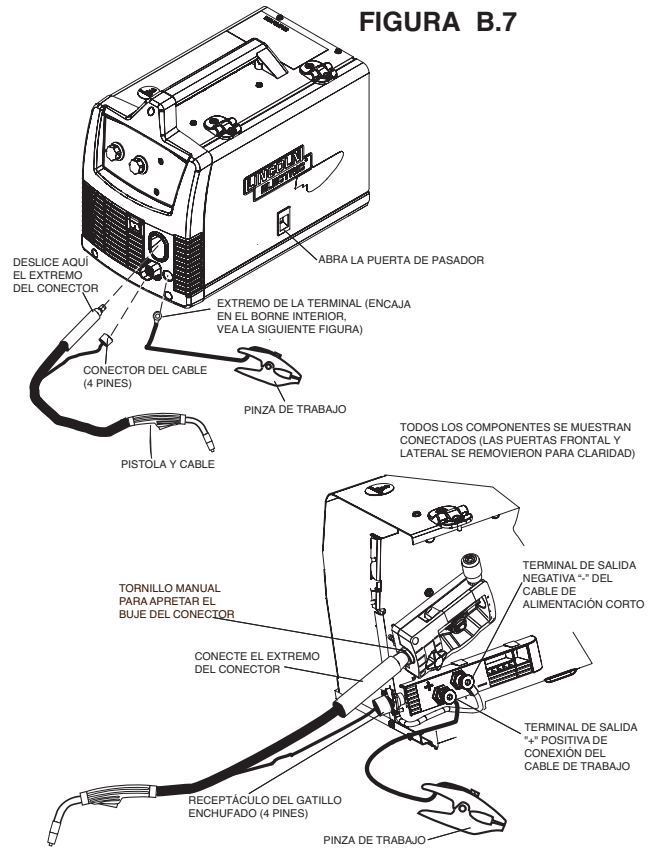
SOLDADORAS DE ALIMENTACION DE ALAMBRE (180 MODELOS)



## B. CONEXIÓN DE LOS CABLES Y ALAMBRES A LA MÁQUINA

(Vea la Figura B.7)

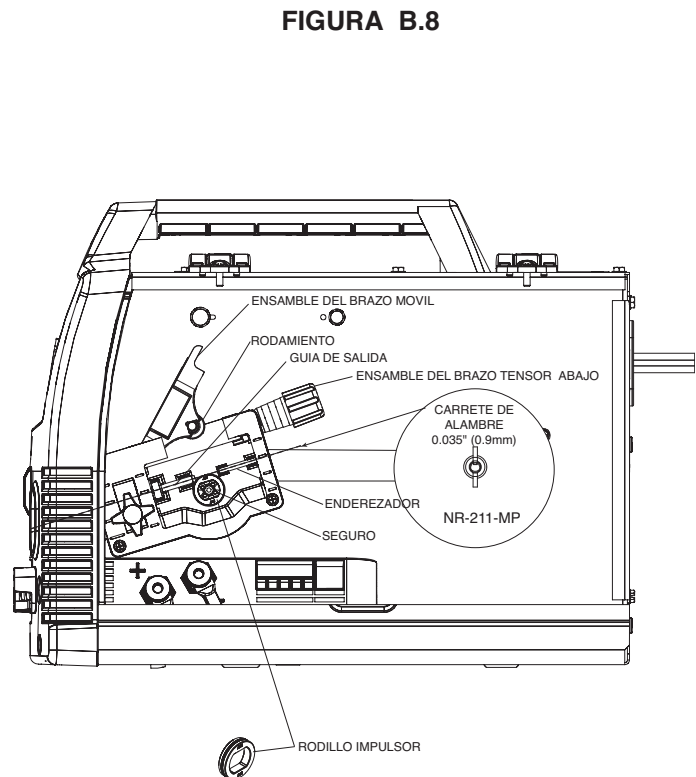
1. Abra la puerta lateral del gabinete
2. Deslice el extremo del conector de la pistola y cable a través del orificio en el frente de la máquina y dentro del buje del conector de la pistola en el mecanismo de alimentación.
3. Asegúrese de que el extremo del conector de la pistola esté asentado totalmente en el mecanismo de alimentación y apriete el tornillo manual para asegurar el conector de la pistola.
4. Enchufe el conector del cable del gatillo de la pistola en el receptáculo del gatillo de la pistola de 4 pines al frente de la máquina.
5. Polaridad del Mecanismo de Alimentación. La soldadura de alambre tubular requiere polaridad negativa (-). Conecte el cable de alimentación corto a la terminal de salida negativa y apriete la perilla roscada.
6. Conexión del Cable de Trabajo. Deslice el extremo de orejeta del cable de trabajo a través del orificio al frente de la máquina y colóquelo en la terminal de salida positiva (+), y apriete la perilla roscada.



## C. CARGA DEL CARRETE DE ALAMBRE

(Vea la Figura B.8)

1. Localice el carrete de etiqueta azul de 4" de diámetro de alambre tubular NR-211MP .035, y colóquelo sobre el eje de carrete de alambre. Oriente el carrete para que el alambre se alimente desde la parte superior del mismo.
2. Asegure el carrete en su lugar apretando la tuerca mariposa contra el espaciador que sujeta el carrete de alambre al eje.
3. Abra el ensamble del brazo móvil girando el ensamble del brazo tensor hacia abajo y levantando el ensamble del brazo móvil.
4. Retire el rodillo impulsor girando hasta el tope el seguro del rodillo. Instale el rodillo impulsor estriado de .030/.045.
5. Desenrede cuidadosamente y enderece las primeras seis pulgadas de alambre de soldadura del carrete. No permita que el extremo del alambre quede suelto para evitar que éste se desenrede.



(Ver Figura B.9)

6. Alimente el alambre a través del enderezador de entrada sobre la ranura del rodillo impulsor, por la guía de salida y la salida del rodillo impulsor del lado de la pistola.

7. Cierre el Ensamble del Brazo Móvil y asegúrelo moviendo el Ensamble del brazo tensor nuevamente hacia arriba.

(Vea la Figura B.10)

8. Remueva la tobera de la pistola y punta de contacto, y enderece la pistola.

9. Encienda la alimentación de la máquina y aplane el gatillo de la pistola para alimentar el alambre a través de la guía de alambre hasta que varias pulgadas de éste salgan del extremo roscado de la pistola. (Vea la Figura B.11)

10. Cuando se suelta el gatillo, el carrete de alambre no deberá desenrollarse. Ajuste el freno del carrete conforme a esto.

## ⚠ ADVERTENCIA



**LAS PARTES MÓVILES Y EL CONTACTO ELÉCTRICO PUEDEN PROVOCAR LESIONES O SER FATALES!**

• Cuando el gatillo de la pistola se suelta, los rodillos impulsores, carrete de alambre y electrodo están **ELÉCTRICAMENTE VIVOS (CALIENTES)**.

• Aléjese de las partes móviles y puntos de presión.

• Mantenga todas las Puertas, Cubiertas, paneles y guardas en forma segura en su lugar.

**NO REMUEVA U OCULTE ETIQUETAS DE ADVERTENCIA.**



11. Instale la punta de contacto .035.

12. Instale la tobera de pistola autoprotegida negra en la pistola.

13. Corte el alambre saliente a 3/8" desde la punta de contacto. (Vea la Figura B.12)

14. Cierre la puerta lateral del gabinete. La máquina está ahora lista para soldar.

15. Lea "Aprenda a Soldar" (LTW1) o vea el DVD "Cómo Soldar" que se incluyen con la máquina.

16. Con base en el grosor del material que va a soldar y el tipo y diámetro del alambre de soldadura, establezca el voltaje y velocidad de alimentación de alambre conforme a la etiqueta de procedimientos en la parte interior de la puerta del compartimiento del mecanismo de alimentación.

FIGURA B.9

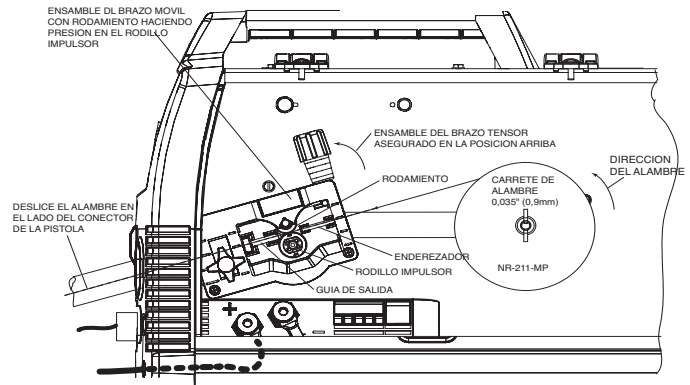


FIGURA B.10

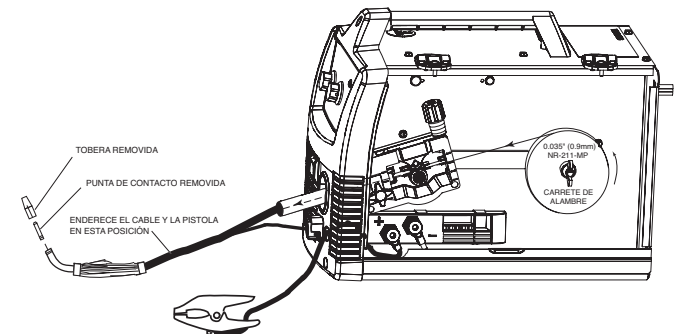


FIGURA B.11

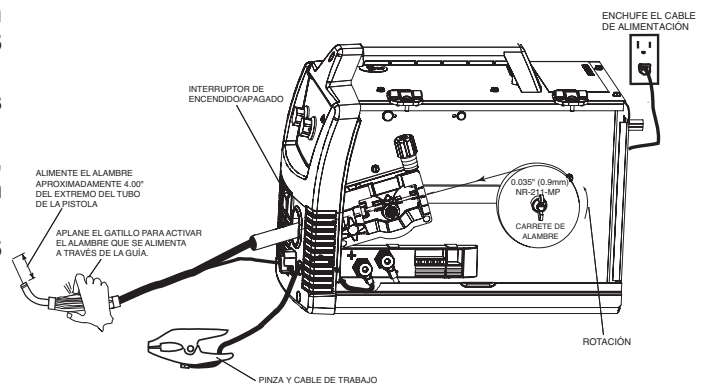
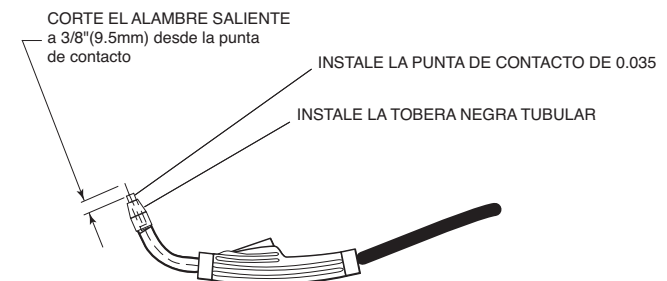


FIGURA B.12



SOLDADORAS DE ALIMENTACION DE ALAMBRE (180 MODELOS)

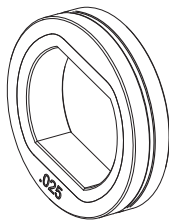
# PREPARACIÓN Y REALIZACIÓN DE UNA SOLDADURA MIG

## A. ELEMENTOS NECESARIOS PARA UNA SOLDADURA MIG

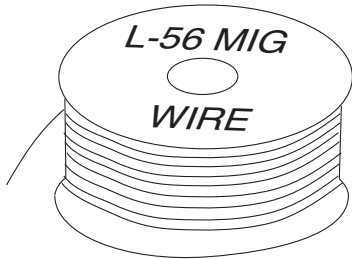
1. Punta de Contacto 0.025



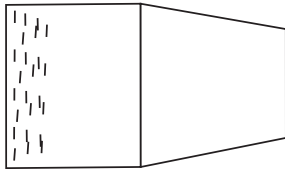
3. Rodillo Impulsor 0.025



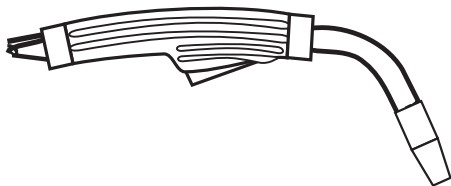
4. Alambre MIG Sólido 0.025 SuperArc L-56



5. Tobera de Pistola de Bronce



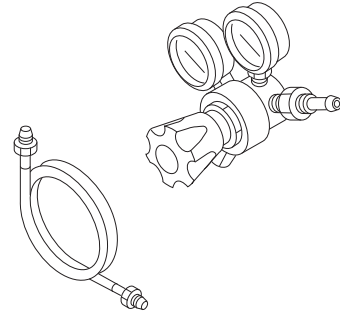
6. Pistola de soldadura



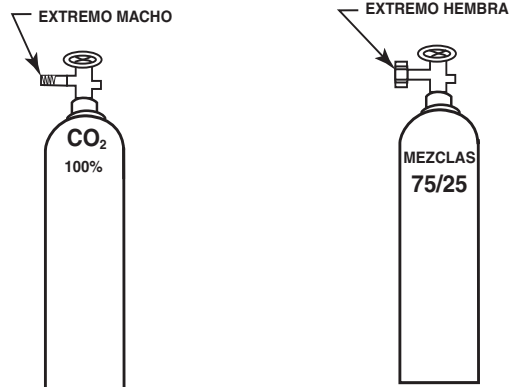
7. Cable y Pinza de Trabajo



8. Regulador de Gas y Línea de Gas



9. Botella de gas protector de 75/25 Ar/CO<sub>2</sub> (ó gas protector del 100% CO<sub>2</sub>) (observe que esto requiere un adaptador de regulador CO<sub>2</sub>, que se vende separadamente).



(REQUIERE ADAPTADOR QUE SE VENDE POR SEPARADO)

## B. INSTALACIÓN DEL GAS PROTECTOR

La soldadura MIG requiere una botella apropiada de gas protector. Para acero suave, es posible utilizar una botella de cilindro de Ar/CO<sub>2</sub> ó 100% CO<sub>2</sub>; consulte las siguientes instrucciones para conectar adecuadamente el gas protector a la máquina.

### ⚠ ADVERTENCIA



Si sufre algún daño, el CILINDRO puede explotar. Mantenga el cilindro en posición vertical y encadenado a un soporte.

- Mantenga el cilindro alejado de las áreas donde podría dañarse.
- Nunca levante la soldadora con el cilindro montado.
- Nunca permita que el electrodo de soldadura toque al cilindro.
- Mantenga el cilindro lejos del circuito de soldadura u otros circuitos eléctricos vivos.

### ⚠ ADVERTENCIA



LA ACUMULACIÓN DE GAS PROTECTOR puede dañar la salud o ser fatal.

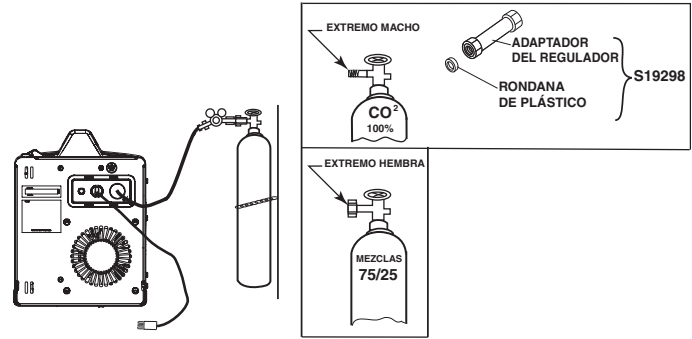
- Apague el suministro de gas protector cuando no lo utilice.

1. Asegure el cilindro a la pared o a otro soporte estacionario para evitar que el cilindro se caiga. Aísle el cilindro del circuito de trabajo y aterrizamiento. Consulte la Figura B.13.
2. Con el cilindro instalado en forma segura, remueva su tapón. Manténgase en el lado opuesto lejos de la salida y abra un poco la válvula del cilindro por un instante. Esto elimina cualquier polvo o suciedad que se haya acumulado en la salida de la válvula.

### ⚠ ADVERTENCIA

ASEGÚRESE DE MANTENER ALEJADA LA CARA DE LA SALIDA DE LA VÁLVULA CUANDO LA "ABRA". Nunca se pare directamente enfrente o detrás del regulador de flujo cuando abra la válvula del cilindro. Siempre manténgase a un lado.

FIGURA B.13



3. Monte el regulador de flujo en la válvula del cilindro y apriete bien la tuerca de unión con una llave.

**NOTA:** Si conecta a un cilindro de 100% CO<sub>2</sub>, se requiere un adaptador de regulador de CO<sub>2</sub>. Adquiera el adaptador de CO<sub>2</sub> S19298 en forma separada; asegúrese de instalar una rondana de plástico que se incluye en el conector a un lado de la botella. (Vea la Figura B.13)

4. Consulte la Figura B.13. Monte un extremo de la manguera de gas de entrada en el conector de salida del regulador de flujo, y apriete bien la tuerca de unión con una llave. Conecte el otro extremo al Conector de Entrada de Solenoide de la máquina (roscas hembra 5/8-18 — para conector CGA — 032). Asegúrese de que la manguera de gas no esté retorcida o ensortijada.

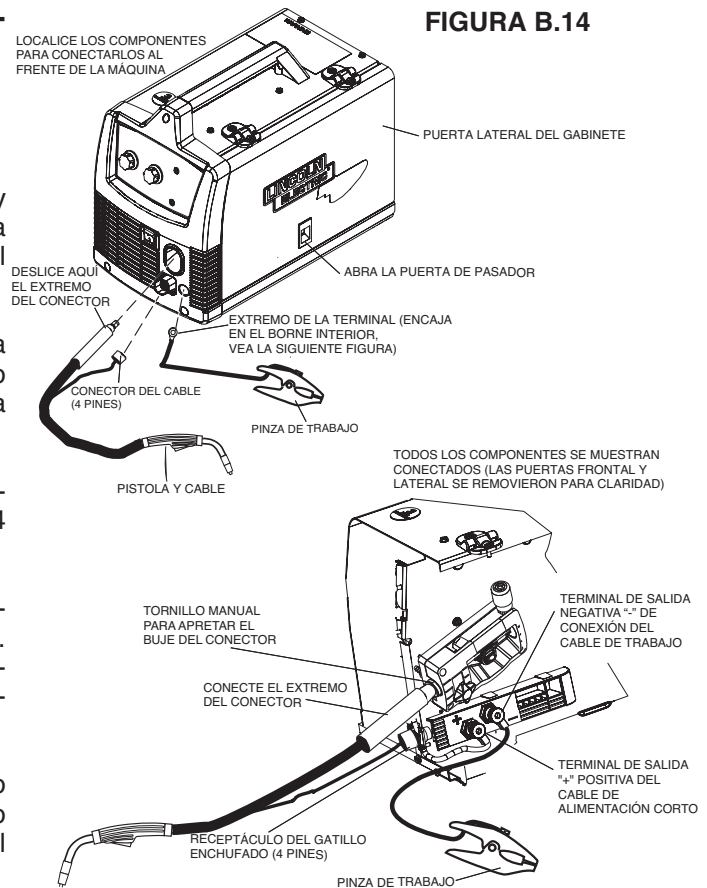
## GAS PROTECTOR

1. Para CO<sub>2</sub>, abra el cilindro muy lentamente. Para gas con mezcla de argón, abra la válvula del cilindro lentamente una fracción de vuelta. Cuando la aguja del medidor de presión del cilindro deje de moverse, abra la válvula totalmente.
2. Establezca la velocidad del flujo de gas en 30 a 40 pies cúbicos por hora (14 a 18 l/min.) bajo condiciones normales; aumente a un máximo de 40 a 50 CFH (18 a 23.5 l/min.) bajo condiciones de corriente de aire (ligeramente ventosas).
3. Mantenga la válvula del cilindro cerrada, excepto cuando usa la máquina.

## C. CONEXIÓN DE LOS CABLES Y ALAMBRES A LA MÁQUINA

(Vea la Figura B.14)

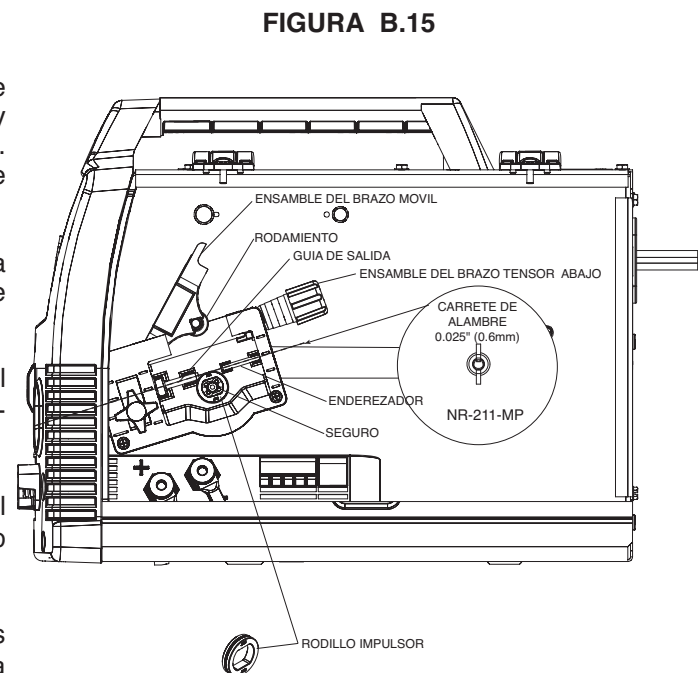
1. Abra la puerta lateral del gabinete
2. Deslice el extremo del conector de la pistola y cable a través del orificio en el frente de la máquina y dentro del buje del conector de la pistola en el mecanismo de alimentación.
3. Asegúrese de que el extremo del conector de la pistola esté asentado totalmente en el mecanismo de alimentación y apriete el tornillo mariposa para asegurar la pistola.
4. Enchufe el conector del cable del gatillo de la pistola en el receptáculo del gatillo de la pistola de 4 pines al frente de la máquina.
5. Polaridad del Mecanismo de Alimentación. La soldadura MIG requiere polaridad positiva (+). Conecte el cable de alimentación corto del mecanismo de alimentación a la terminal de salida positiva (+) y apriete el tornillo mariposa.
6. Conexión del Cable de Trabajo. Deslice el extremo de orejeta del cable de trabajo a través del orificio al frente de la máquina y colóquelo en la terminal de salida negativa (-), y apriete el tornillo mariposa



## D. CARGA DEL CARRETE DE ALAMBRE

(Vea la Figura B.15)

1. Localice el carrete de etiqueta verde de 4" de diámetro de alambre MIG sólido L-56 0.025, y colóquelo sobre el eje de carrete de alambre. Oriente el carrete para que el alambre se alimente desde la parte superior del mismo.
2. Asegure el carrete en su lugar apretando la tuerca mariposa contra el espaciador que sujeta el carrete de alambre al eje.
3. Abra el ensamble del brazo móvil girando el ensamble del brazo tensor hacia abajo y levantando el ensamble del brazo móvil.
4. Retire el rodillo impulsor girando hasta el tope el seguro del rodillo. Instale el rodillo impulsor estriado de .025-.035.
5. Desenrede cuidadosamente y enderece las primeras seis pulgadas de alambre de soldadura del carrete. No permita que el extremo del alambre quede suelto para evitar que éste se desenrede.



(Ver Figura B.16)

6. Alimente el alambre a través del enderezador de entrada sobre la ranura del rodillo impulsor, por la guía de salida y la salida del rodillo impulsor del lado de la pistola.
7. Cierre el Ensamble del Brazo Móvil y asegúrelo moviendo el Ensamble del brazo tensor nuevamente hacia arriba.

(Vea la Figura B.17)

8. Remueva la tobera de la pistola y punta de contacto, y enderece la pistola.
9. Encienda la alimentación de la máquina y aplane el gatillo de la pistola para alimentar el alambre a través de la guía de alambre hasta que varias pulgadas de éste salgan del extremo roscado de la pistola. (Vea la Figura B.18)
10. Cuando se suelta el gatillo, el carrete de alambre no deberá desenrollarse. Ajuste el freno del carrete conforme a esto.

## ⚠ ADVERTENCIA



**LAS PARTES MÓVILES Y EL CONTACTO ELÉCTRICO PUEDEN PROVOCAR LESIONES O SER FATALES**

- Cuando el gatillo de la pistola se suelta, los rodillos impulsores, carrete de alambre y electrodo están ELÉCTRICAMENTE VIVOS (CALIENTES).
- Aléjese de las partes móviles y puntos de presión.
- Mantenga todas las Puertas, Cubiertas, páneles y guardas en forma segura en su lugar.

**NO REMUEVA U OCULTE ETIQUETAS DE ADVERTENCIA.**

11. Instale la punta de contacto 0.025.
12. Instale la tobera de gas de soldadura MIG de bronce en la pistola.
13. Corte el alambre saliente a 3/8" desde la punta de contacto. (Vea la Figura B.19)
14. Cierre la puerta lateral del gabinete. La máquina está ahora lista para soldar.
15. Lea "Aprenda a Soldar" (LTW1) o vea el DVD "Cómo Soldar" que se incluyen con la máquina.
16. Con base en el grosor del material que va a soldar, y el tipo y diámetro del alambre del soldadura, establezca el voltaje y velocidad de alimentación de alambre conforme a la etiqueta de procedimientos en la parte interior de la puerta del compartimiento del mecanismo de alimentación.

FIGURA B.16

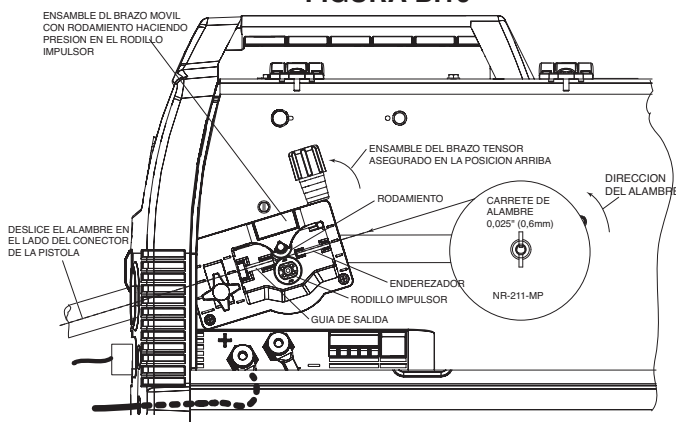


FIGURA B.17

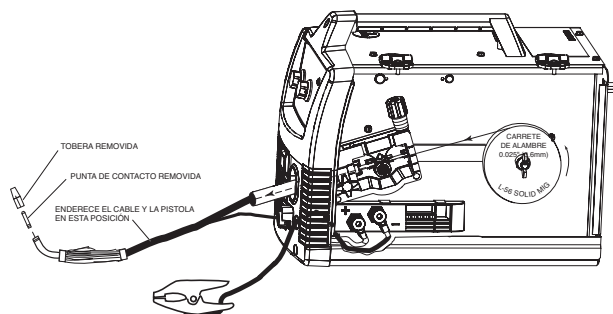


FIGURA B.18

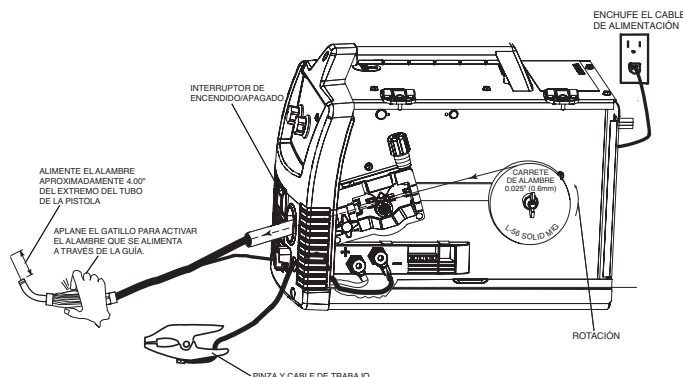
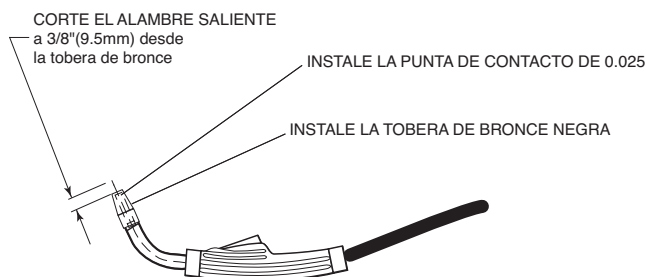


FIGURA B.19



SOLDADORAS DE ALIMENTACION DE ALAMBRE (180 MODELOS)

## PREPARACIÓN Y REALIZACIÓN DE UNA SOLDADURA DE ALUMINIO UTILIZANDO LA ANTORCHA “SPOOL GUN”

1. Siga los pasos de soldadura MIG en la sección anterior.
2. Conecte una botella de Gas Protector de 100% de Argón conforme a la sección previa.
3. Desconecte la Pistola Magnum 100L.
4. Instale la Antorcha “Spool Gun” Magnum 100SG K2532-1 opcional conforme a las instrucciones que se incluyen con la pistola.
5. Establezca el interruptor de palanca del selector de la pistola en la posición Spool Gun. (Vea la Figura B.20)

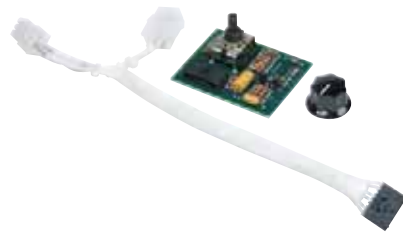
FIGURA B.20



6. Encienda la máquina y haga una soldadura conforme a las configuraciones recomendadas en la Etiqueta de Procedimientos dentro de la puerta de la máquina.

**K2525-1 - Kit de Temporizador de Punteo**

Este kit, cuando está encendido, le permite establecer un tiempo de soldadura fijo para que al apretar el gatillo de la pistola, la máquina suelde por un periodo de tiempo fijo de hasta 10 segundos. Ideal para hacer soldaduras de punteo cuando se suelda en hojas metálicas delgadas.

**K2528-1 - Kit Innershield 045 (Para modelos de 230V)**

Incluye todo lo necesario para soldar con un alambre Innershield de diámetro 0.045. Incluye una guía de alambre de pistola .0035/0.045 Magnum™ 100L, Punta de Contacto 0.045, tobera sin gas, rodillo impulsor estriado, guía de alambre interna 0.045, y un carrete de 4.5kg (10 lb.) de alambre Innershield® NR®-212 de 0.9mm (0.045").

**K2532-1 - Antorcha "Spool Gun" Magnum 100SG**

Diseñada para alimentar fácilmente alambres de aluminio pequeños 0.030 ó 0.035 de 4" de diámetro (carretes de 1lb.). Incluye pistola, kit de adaptador, tres puntas de contacto 0.035 extra, tobera de gas y carrete de alambre de soldadura de 0.035" de diámetro Superglaze 4043. Empacado en un gabinete de transporte fácil.

**K2377-1 - Cubierta de Lona Pequeña**

Protege su máquina cuando no está en uso. Hecha de atractiva lona roja que demora la flama, es resistente al moho y repelente al agua. Incluye un bolsillo lateral conveniente para colocar la pistola de soldadura.



Para las piezas opcionales y misceláneas adicionales  
(Véase las Páginas de las Piezas)

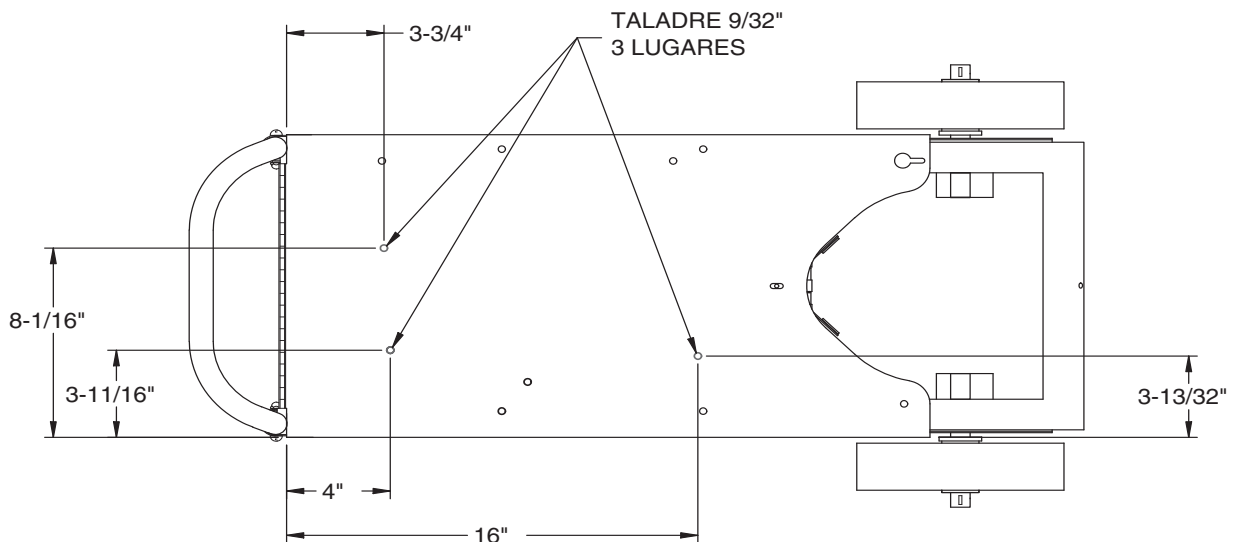
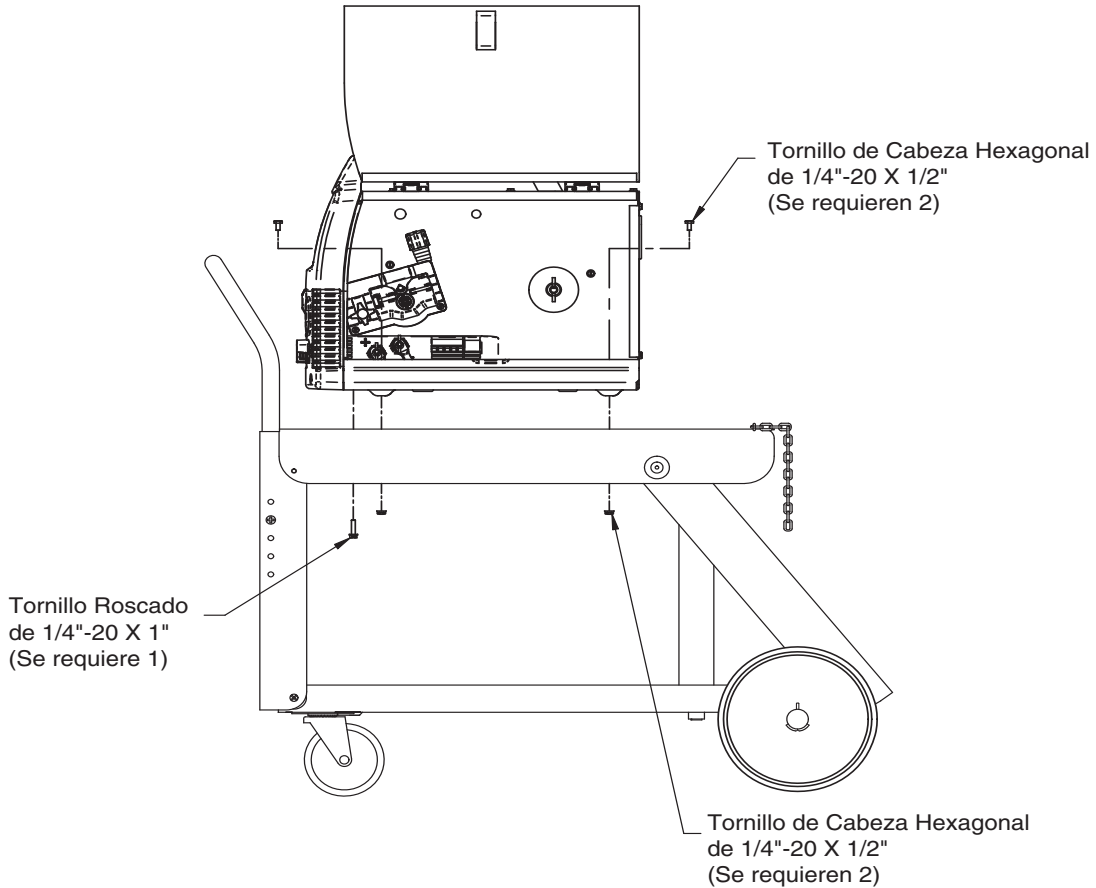


**K520 – Carro Utilitario**

Este carro de trabajo pesado almacena y transporta la soldadora, cilindro de gas protector de 150 pies cúbicos, cables de soldadura y accesorios. Incluye plataformas estables para la soldadora y plataforma de botella de gas, charola inferior para mayor capacidad de almacenamiento y manija de altura ajustable.



Para montar máquinas de soldadura en carros K520 que no tienen orificios de montaje ranurados. Taladre orificios de 9/32" (3 lugares) en la parte superior del carro como se ilustra y monte la máquina de soldar en el carro con el hardware adecuado que se muestra.



**SOLDADORAS DE ALIMENTACION DE ALAMBRE (180 MODELOS)**

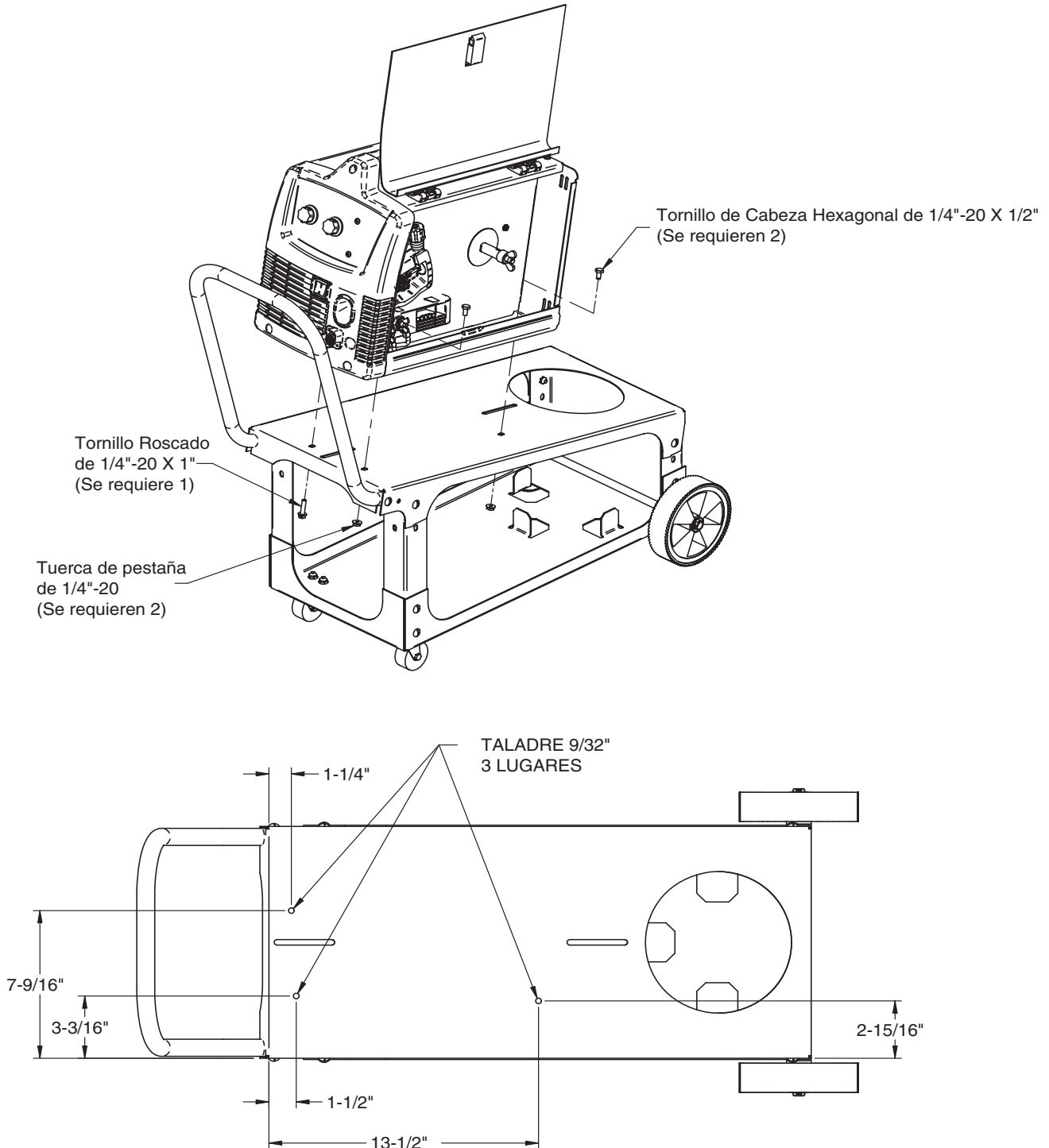


**K2275-1 - Carro de Soldadura**

Este carro de peso ligero almacena y transporta a la soldadora, cilindro de gas protector de 80 pies cúbicos, cables de soldadura y accesorios. Incluye una repisa en ángulo para fácil acceso a los controles, charola inferior para mayor capacidad de almacenamiento, una manija fija rugosa y un gancho conveniente para colgar el cable.



Para montar máquinas de soldadura en carros K2275-1 que no tienen orificios de montaje ranurados. Taladre orificios de 9/32" (3 lugares) en la parte superior del carro como se ilustra y monte la máquina de soldar en el carro con el hardware adecuado que se muestra.



**SOLDADORAS DE ALIMENTACION DE ALAMBRE (180 MODELOS)**

## MANTENIMIENTO

### PRECAUCIONES DE SEGURIDAD

#### ⚠ ADVERTENCIA



La **DESCARGA ELÉCTRICA** puede causar la muerte.

- **Desconecte la alimentación** removiendo el enchufe del receptáculo antes de trabajar adentro de **SOLDADORAS DE ALIMENTACION DE ALAMBRE (MODELOS 180)**. Utilice sólo receptáculos aterrizados. No toque las partes eléctricamente “calientes” dentro de **SOLDADORAS DE ALIMENTACION DE ALAMBRE (MODELOS 180)**.

- **Haga que personal calificado realice el mantenimiento y trabajo de localización de averías.**

## MANTENIMIENTO DE RUTINA

### COMPARTIMIENTO DE LA FUENTE DE PODER

¡No existen adentro partes que puedan recibir servicio del usuario! No intente dar servicio en el lado de la fuente de poder (fijo) de **SOLDADORAS DE ALIMENTACION DE ALAMBRE (MODELOS 180)**. Lleve la unidad a un Centro de Servicio Autorizado de Lincoln si experimenta problemas. **NO** se requiere mantenimiento.

En lugares extremadamente llenos de polvo, la suciedad puede bloquear los pasajes de aire provocando que la soldadora funcione caliente con apertura prematura de la protección térmica. Si así es, aplique aire de baja presión a intervalos regulares para sacar la suciedad de la soldadora y eliminar así la suciedad excesiva y acumulación de polvo en las partes internas.

### COMPARTIMIENTO DE ALIMENTACIÓN DE ALAMBRE

1. Cuando se necesario, aspire la suciedad acumulada de la caja de engranajes y sección de alimentación de alambre.
2. Inspeccione ocasionalmente el tubo guía entrante y limpie el diámetro interno si es necesario.
3. El motor y caja de engranajes tienen lubricación de por vida y no requieren mantenimiento.

### MOTOR DEL VENTILADOR

Tiene lubricación de por vida — no requiere mantenimiento.

### EJE DEL CARRETE DE ALAMBRE

No requiere mantenimiento. **NO** lubrique el eje.

## MANTENIMIENTO DE LA PISTOLA Y CABLE PARA PISTOLA MAGNUM™ 100L

### Limpieza de la Pistola y Cable

Limpie la guía del cable después de utilizar aproximadamente 136 kg (300 lbs) de alambre sólido ó 23 kg (50 lbs) de alambre tubular. Remueva el cable del alimentador de alambre y colóquelo en forma recta sobre el piso. Remueva la punta de contacto de la pistola. Utilizando aire de baja presión, saque con cuidado la guía del cable del extremo del difusor de gas.

#### ⚠ PRECAUCIÓN

**Presión excesiva al inicio puede provocar que la suciedad forme una obstrucción.**

Doble el cable a la mitad y aplique aire otra vez. Repita este procedimiento hasta que ya no salga más suciedad.

### Puntas de Contacto, Toberas y Tubos de la Pistola

1. La suciedad puede acumularse en el orificio de la punta de contacto y restringir la alimentación de alambre. Después de utilizar cada carrete de alambre, remueva la punta de contacto y límpiela insertando un pedazo pequeño de alambre a través de la punta repetidamente. Utilice el alambre como un escariador para remover suciedad que se pueda adherir a la pared del orificio a través de la punta.
2. Reemplace las puntas de contacto desgastadas según sea necesario. Un arco variable o “irregular” es un síntoma típico de una punta de contacto desgastada. Para instalar una nueva, elija la de tamaño correcto para el electrodo que se está utilizando (el tamaño del alambre está grabado en el lado de la punta de contacto) y atorníllela ajustadamente al difusor de gas.
3. Remueva la salpicadura adentro de la tobera de gas y de la punta cada 10 minutos de tiempo de arco o según sea necesario.
4. Asegúrese de que la tobera de gas esté totalmente atornillada al difusor para procesos con gas protector. Para el proceso Innershield®, deberá atornillarse la tobera sin gas al difusor.
5. Para remover el tubo de la pistola de la misma, remueva la tobera de gas o la tobera sin gas, y retire el difusor del tubo de la pistola. Remueva ambos collarines de cada extremo de la manija de la pistola y separe las mitades de la misma. Afloje la tuerca de sujeción que sujeta al tubo de la pistola en su lugar contra el conector de la pistola y cable. Desatornille el tubo de la pistola del conector del cable. Para instalar el tubo de la pistola, atornille la tuerca de sujeción en el mismo tanto como sea posible. Después atornille el tubo de la pistola en el conector del cable hasta el fondo. Entonces desatornille (no más de una vuelta) el tubo de la pistola hasta que su eje quede perpendicular a los lados planos del conector del cable y apunte en la dirección del gatillo. Apriete la tuerca de sujeción en tal forma que mantenga la relación adecuada entre el tubo de la pistola y conector del cable. Vuelva a colocar la manija de la pistola, gatillo y difusor. Vuelva a colocar la tobera de gas o la sin gas.

## PROTECCIÓN CONTRA SOBRECARGA

### Sobrecarga de Salida

**SOLDADORAS DE ALIMENTACION DE ALAMBRE (MODELOS 180)** está equipada con un interruptor de circuito y un termostato que protege a la máquina contra daño si se excede la salida máxima. El botón del interruptor automático se saldrá cuando se abra. El interruptor automático debe restablecerse manualmente.

**SOLDADORAS DE ALIMENTACION DE ALAMBRE (MODELOS 180)** tiene un ciclo de trabajo de salida nominal como se define en la página de Especificaciones Técnicas. Si se excede el ciclo de trabajo, un protector térmico apagará la salida hasta que la máquina se enfríe a una temperatura de operación razonable. Esta es una función automática de **SOLDADORAS DE ALIMENTACION DE ALAMBRE (MODELOS 180)** y no requiere intervención del usuario. El ventilador continúa funcionando durante el enfriamiento.

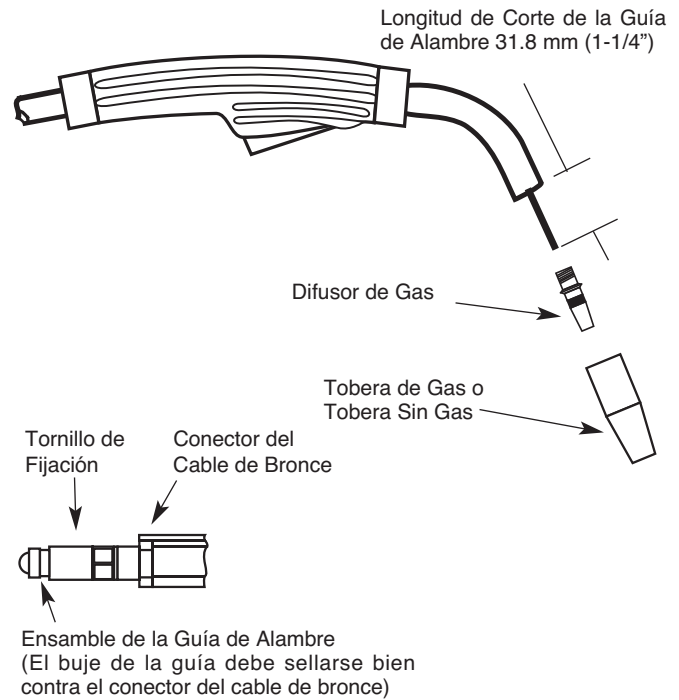
### Protección del Motor Electrónico del Mecanismo de Alimentación

**SOLDADORAS DE ALIMENTACION DE ALAMBRE (MODELOS 180)** cuenta con protección integrada contra sobrecargas del motor del mecanismo de alimentación.

## CAMBIO DE LA GUÍA DE ALAMBRE

NOTA: La variación en las longitudes de los cables evita la intercambiabilidad de las guías de alambre. Una vez que una guía ha sido cortada para una pistola en particular, no deberá instalarse en otra, a menos que pueda satisfacer el requerimiento de longitud de corte de la guía de alambre. Consulte la Figura D.2..

1. Remueva la tobera de gas de la pistola desatornillando a la izquierda.
2. Remueva la punta de contacto existente de la pistola desatornillando a la izquierda.
3. Remueva el difusor de gas del tubo de la pistola desatornillando a la izquierda.
4. Coloque la pistola y cable en forma recta sobre una superficie plana. Afloje el tornillo de fijación localizado en el conector de bronce en el extremo de alimentador de alambre del cable. Jale la guía de alambre fuera del cable.
5. Inserte una nueva guía de alambre sin cortar en el extremo de conector del cable. Asegúrese de que el buje de la guía de alambre esté grabado apropiadamente para el tamaño de alambre que se está utilizando.
6. Asiente completamente el buje de la guía de alambre en el conector. Apriete el tornillo de fijación en el conector del cable de bronce. En este momento, el difusor de gas no deberá estar instalado en el extremo del tubo de la pistola.
7. Con la tobera de gas y el difusor removido del tubo de la pistola, asegúrese de que el cable esté derecho, y después corte la guía de alambre a la longitud mostrada en la Figura D.2. Retire cualquier saliente del extremo de la guía de alambre.

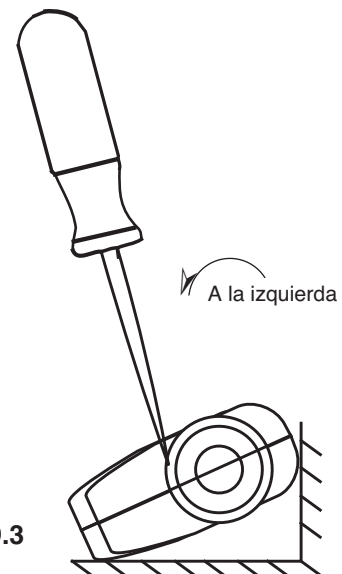


**FIGURA D.2**  
Longitud de Corte de la Guía de Alambre

8. Atornille el difusor de gas en el extremo del tubo de la pistola y apriete bien.
9. Vuelva a colocar la punta de contacto y la tobera.

## PARTES DE LA MANIJA DE LA PISTOLA

La manija de la pistola consta de dos mitades que están unidas con un collarín en cada extremo. Para abrir la manija, gire los collarines aproximadamente 60 grados a la izquierda hasta que el collarín se detenga. Después jale el collarín fuera de la manija de la pistola. Si los collarines son difíciles de girar, coloque la manija de la pistola contra una esquina, coloque un desatornillador contra la lengüeta en el collarín y golpee el desatornillador para que el collarín se suelte del reborde interior de aseguramiento. Vea la Figura D-3.



**FIGURA D.3**

**SOLDADORAS DE ALIMENTACION DE ALAMBRE (180 MODELOS)**

## CÓMO UTILIZAR LA GUÍA DE LOCALIZACIÓN DE AVERÍAS

### ADVERTENCIA

El servicio y la reparación sólo debe de ser realizado por Personal Capacitado por la Fábrica Lincoln Electric. Reparaciones no autorizadas llevadas a cabo en este equipo pueden resultar peligrosas para el técnico y el operador de la máquina, e invalidará su garantía de fábrica. Por su seguridad y para evitar una descarga eléctrica, por favor tome en cuenta todas las notas de seguridad y precauciones detalladas a lo largo de este manual.

Esta guía de detección de problemas se proporciona para ayudarle a localizar y a reparar posibles averías de la máquina. Simplemente siga el procedimiento de tres pasos que se da enseguida.

#### **Paso 1. LOCALIZACIÓN DEL PROBLEMA (SÍNTOMA).**

Observe debajo de la columna llamada "PROBLEMA (SÍNTOMAS)". Esta columna describe los síntomas posibles que la máquina pueda presentar. Encuentre la lista que describa de la mejor manera el síntoma que la máquina está presentando.

#### **Paso 2. CAUSA POSIBLE.**

En la segunda columna llamada "CAUSA POSIBLE" se enumeran los factores que pueden originar el síntoma en la máquina.

#### **Paso 3. ACCIÓN RECOMENDADA**

Esta columna proporciona una acción para la Causa Posible, generalmente recomienda que establezca contacto con su Taller de Servicio de Campo Autorizado por Lincoln local.

Si no entiende o no puede llevar a cabo la Acción Recomendada de manera segura, contacte su Taller de Servicio de Campo Lincoln Autorizado

### PRECAUCIÓN

Si por alguna razón usted no entiende los procedimientos de prueba o es incapaz de efectuar las pruebas y reparaciones de manera segura, contacte su **Taller de Servicio de Campo Lincoln Autorizado** para asistencia en la localización de fallas técnicas antes de proceder.

Observe todos los Lineamientos de Seguridad detallados a través de este manual.

PROBLEMAS (SÍNTOMAS)	CAUSA POSIBLE	CURSO DE ACCIÓN RECOMENDADO
<b>PROBLEMAS DE SALIDA</b>		
Es evidente un daño físico o eléctrico mayor.	“No enchufe la máquina ni la encienda”. Contacte a su Taller de Servicio de Campo Autorizado local.	Si todas las áreas posibles de desajuste han sido revisadas y el problema persiste, <b>Póngase en Contacto con su Taller de Servicio de Campo Autorizado de Lincoln local.</b>
No hay alimentación de alambre, salida de soldadura o flujo de gas cuando se aprieta el gatillo de la pistola. El ventilador NO opera.	<ol style="list-style-type: none"> <li>1. Asegúrese de que se aplica el voltaje correcto a la máquina.</li> <li>2. Asegúrese de que el interruptor de encendido está en la posición de ENCENDIDO.</li> <li>3. Asegúrese de que el interruptor automático está restablecido.</li> </ol>	
No hay alimentación de alambre, salida de soldadura o flujo de gas cuando se aprieta el gatillo de la pistola. El ventilador opera normalmente.	<ol style="list-style-type: none"> <li>1. El termostato puede estar abierto debido a sobrecalentamiento. Deje que la máquina se enfríe. Suelde a un ciclo de trabajo bajo.</li> <li>2. Revise si hay obstrucciones en el flujo de aire. Revise las conexiones del Gatillo de la Pistola. Vea la sección de instalación.</li> <li>3. El gatillo de la pistola puede estar defectuoso.</li> </ol>	

PROBLEMAS (SÍNTOMAS)	CAUSA POSIBLE	CURSO DE ACCIÓN RECOMENDADO
<b>PROBLEMAS DE ALIMENTACIÓN</b>		
No hay alimentación de alambre cuando se aprieta el gatillo de la pistola. El ventilador funciona, el gas fluye y la máquina tiene un voltaje de circuito abierto correcto (33V) – salida de soldadura.	<ol style="list-style-type: none"> <li>1. Si el motor del mecanismo de alimentación está funcionando, asegúrese de que en la máquina estén instalados los rodillos impulsores correctos.</li> <li>2. Revise si hay una guía de cable o punta de contacto obstruida.</li> <li>3. Revise si la guía del cable y punta de contacto son del tamaño adecuado.</li> </ol>	Si todas las áreas posibles de desajuste han sido revisadas y el problema persiste, <b>Póngase en Contacto con su Taller de Servicio de Campo Autorizado de Lincoln local.</b>

### PRECAUCIÓN

Si por alguna razón no entiende los procedimientos de prueba o no es capaz de llevar a cabo las pruebas/reparaciones en forma segura, póngase en contacto con su **Taller Local de Servicio de Campo Autorizado de Lincoln** para obtener asistencia de localización de averías técnica antes de proceder.

**SOLDADORAS DE ALIMENTACION DE ALAMBRE (180 MODELOS)**



Observe todos los Lineamientos de Seguridad detallados a través de este manual.

PROBLEMAS (SÍNTOMAS)	CAUSA POSIBLE	CURSO DE ACCIÓN RECOMENDADO
<b>PROBLEMAS DE FLUJO DE GAS</b>		
No hay flujo de gas o hay muy poco cuando se aprieta el gatillo de la pistola. La alimentación de alambre, salida de soldadura y ventilador operan normalmente.	<ol style="list-style-type: none"> <li>1. Revise el suministro de gas, regulador de flujo y mangueras de gas.</li> <li>2. Revise la conexión de la pistola a la máquina en busca de obstrucciones o sellos con fuga.</li> </ol>	Si todas las áreas posibles de desajuste han sido revisadas y el problema persiste, <b>Póngase en Contacto con su Taller de Servicio de Campo Autorizado de Lincoln local.</b>

PROBLEMAS (SÍNTOMAS)	CAUSA POSIBLE	CURSO DE ACCIÓN RECOMENDADO
<b>PROBLEMAS DE SOLDADURA</b>		
El arco es inestable – Arranque pobre	<ol style="list-style-type: none"> <li>1. Revise si el voltaje de entrada a la máquina es correcto.</li> <li>2. Revise si la polaridad del electrodo es correcta para el proceso.</li> <li>3. Revise la punta de la pistola en busca de desgaste y daños, y verifique que sea del tamaño correcto – Reemplace.</li> <li>4. Revise que el gas y la velocidad de flujo sean los correctos para el proceso. (Sólo para MIG.)</li> <li>5. Revise el cable de trabajo en busca de conexiones sueltas o defectuosas.</li> <li>6. Revise la pistola en busca de daños o rupturas.</li> <li>7. Revise que la orientación del rodillo impulsor y su alineación sean correctas.</li> <li>8. Revise que el tamaño de la guía de alambre sea correcto.</li> </ol>	Si todas las áreas posibles de desajuste han sido revisadas y el problema persiste, <b>Póngase en Contacto con su Taller de Servicio de Campo Autorizado de Lincoln local.</b>

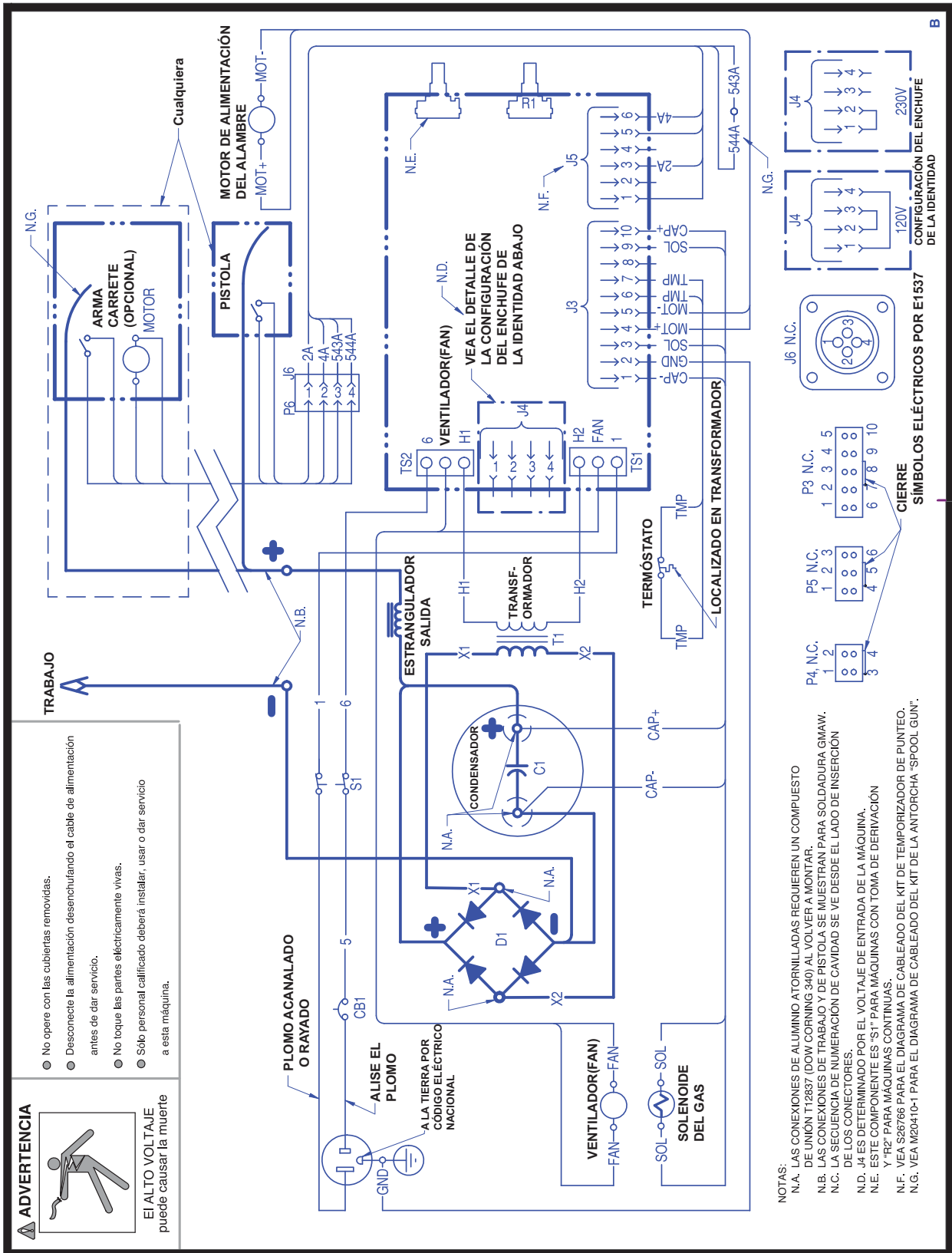
### **PRECAUCIÓN**

Si por alguna razón no entiende los procedimientos de prueba o no es capaz de llevar a cabo las pruebas/reparaciones en forma segura, póngase en contacto con su **Taller Local de Servicio de Campo Autorizado de Lincoln** para obtener asistencia de localización de averías técnica antes de proceder.

**SOLDADORAS DE ALIMENTACION DE ALAMBRE (180 MODELOS)**



# DIAGRAMA DE CABLEADO



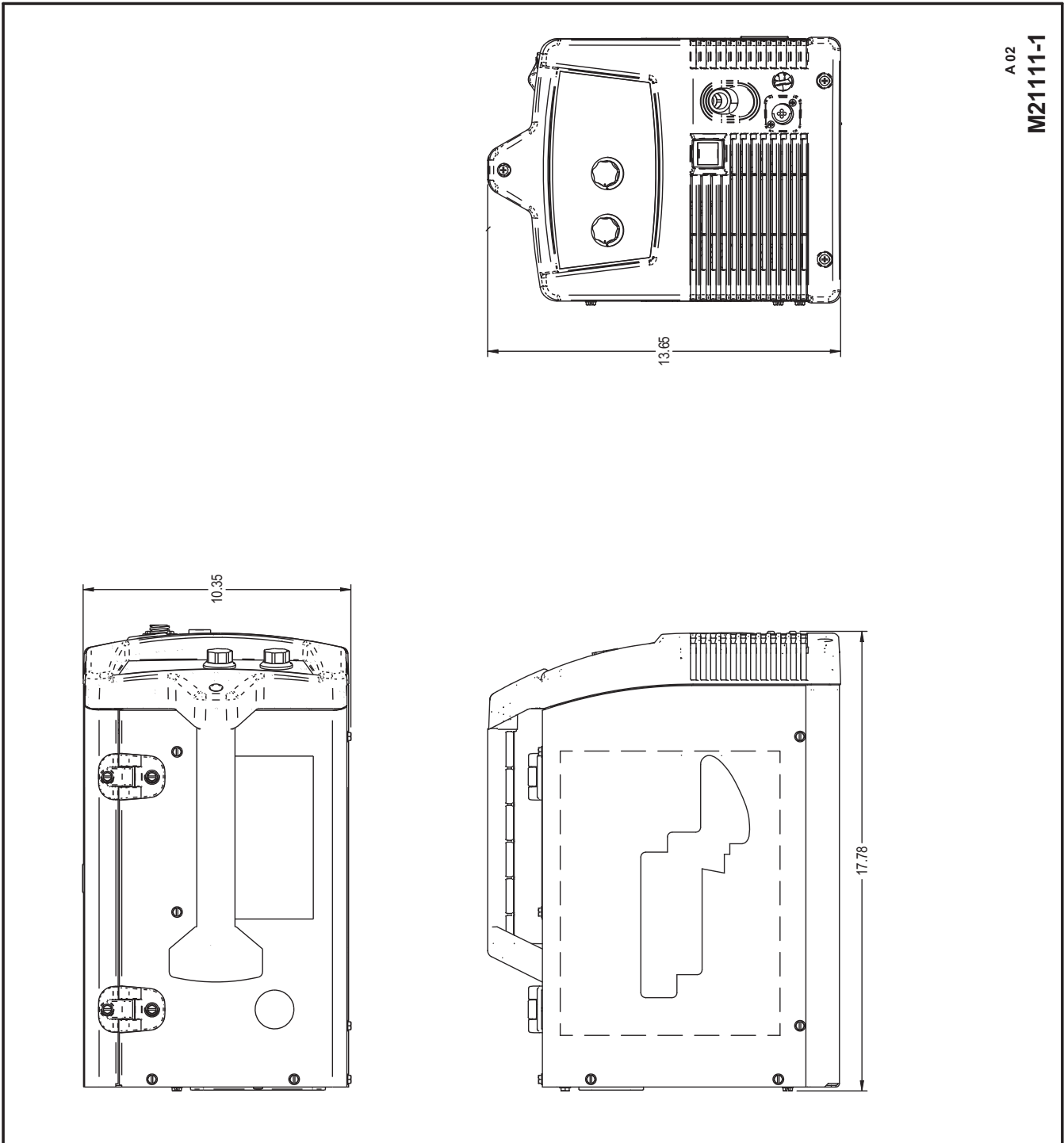
M20410

NOTA: Este diagrama es sólo para referencia. Puede no ser exacto para todas las máquinas que cubre este manual. El diagrama específico para un código particular está pegado dentro de la máquina en uno de los paneles de la cubierta.

SOLDADORAS DE ALIMENTACION DE ALAMBRE (180 MODELOS)







A.02  
M211111-1

# NOTAS

---

SOLDADORAS DE ALIMENTACION DE ALAMBRE (180 MODELOS)

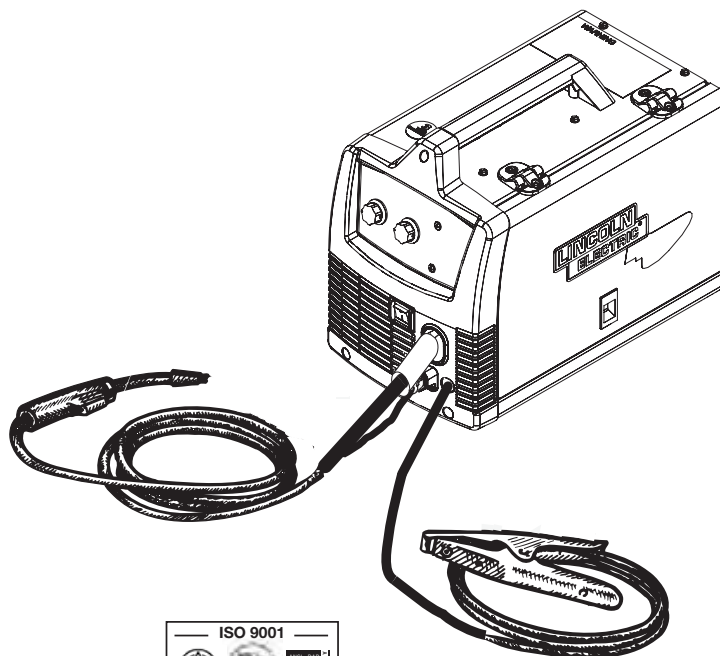


# SOUDEUSE CHARGEUR DE FIL (MODÈLES 180)

S'applique aux machines dont le numéro de code est: 11646, 11647, 11648, 11649, 11650

## TABLE DES MATIÈRES

<b>Installation</b> .....	<b>Section A</b>
Spécifications Techniques .....	A-1
Mesures de Sécurité .....	A-1
Choix d'un Emplacement Approprié .....	A-1
Empilage .....	A-1
Inclinaison .....	A-1
Identifier et Repérer les Composants pour les Unités de 180 Amp .....	A-2
<b>Fonctionnement</b> .....	<b>Section B</b>
Sécurité et Description du Produit .....	B-1
Contrôles et Réglages .....	B-2, B-3
Préparation et Réalisation d'une Soudure avec Électrode Fourrée .....	B-4
Préparation et Réalisation d'une Soudure à Noyau Fondant .....	B-4 à B-6
Préparation et Réalisation d'une Soudure MIG Installation du Gaz de Protection .....	B-7 à B-10
Préparation et Réalisation d'une Soudure en Aluminium .....	B-11
<b>Accessoires</b> .....	<b>Section C</b>
Accessoires en Option .....	C-1
Chariots à Usages Multiples .....	C-2, C-3
<b>Entretien</b> .....	<b>Section D</b>
Mesures de Sécurité .....	D-1
Entretien de Compartiment de la Source de Puissance, Moteur du Ventilateur, Dévidoir de Fil .....	D-1
Entretien du Pistolet et du Câble .....	D-1
Protection contre les Surcharges .....	D-2
<b>Guide de Dépannage</b> .....	<b>Section E</b>
Comment Utiliser le Guide de Dépannage .....	E-1
Guide de Dépannage .....	E-2 à E-3
<b>Diagramme de Câblage   &amp; Schéma Dimensionnel</b> .....	<b>Section F</b>
<b>Pages de Pièces</b> .....	<b>P-660, P-202-E</b>



## La sécurité dépend de vous

Le matériel de soudage et de coupage à l'arc Lincoln est conçu et construit en tenant compte de la sécurité. Toutefois, la sécurité en général peut être accrue grâce à une bonne installation... et à la plus grande prudence de votre part. **NE PAS INSTALLER, UTILISER OU RÉPARER CE MATÉRIEL SANS AVOIR LU CE MANUEL ET LES MESURES DE SÉCURITÉ QU'IL CONTIENT.** Et, par dessus tout, réfléchir avant d'agir et exercer la plus grande prudence.

**LINCOLN**<sup>®</sup>  
**ELECTRIC**

Copyright © Lincoln Global Inc.

• World's Leader in Welding and Cutting Products •

• Sales and Service through Subsidiaries and Distributors Worldwide •

Cleveland, Ohio 44117-1199 U.S.A. TEL: 216.481.8100 FAX: 216.486.1751 WEB SITE: www.lincolnelectric.com

# MERCI D'AVOIR SÉLECTIONNÉ UN PRODUIT DE QUALITÉ DE LINCOLN ELECTRIC.

## MERCI D'EXAMINER IMMÉDIATEMENT L'ÉTAT DU CARTON ET DE L'ÉQUIPEMENT

Lorsque cet équipement est expédié, la propriété passe à l'acheteur sur réception par le transporteur. En conséquence, les réclamations pour matériel endommagé dans l'expédition doit être effectuées par l'acheteur auprès de l'entreprise de transport au moment où la livraison est reçue.

## LA SÉCURITÉ REPOSE SUR VOUS

L'équipement de soudure et de coupage à l'arc de Lincoln est conçu et fabriqué dans un souci de sécurité. Toutefois, votre sécurité générale peut être augmentée par une installation appropriée... et une utilisation réfléchie de votre part. **NE PAS INSTALLER, UTILISER NI RÉPARER CET ÉQUIPEMENT SANS LIRE LE PRÉSENT MANUEL ET LES CONSIGNES DE SÉCURITÉ QUI Y SONT CONTENUES.** Et, surtout, pensez avant d'agir et soyez prudent.

### AVERTISSEMENT

Cette mention apparaît lorsque les informations doivent être suivies exactement afin d'éviter toute blessure grave ou mortelle.

### ATTENTION

Cette mention apparaît lorsque les informations doivent être suivies afin d'éviter toute blessure corporelle mineure ou d'endommager cet équipement.



## MAINTENEZ VOTRE TÊTE À L'ÉCART DE LA FUMÉE.

**NE PAS** trop s'approcher de l'arc.

Utiliser des verres correcteurs si nécessaire afin de rester à une distance raisonnable de l'arc.

**LIRE** et se conformer à la fiche de données de sécurité (FDS) et aux étiquettes d'avertissement qui apparaissent sur tous les récipients de matériaux de soudure.

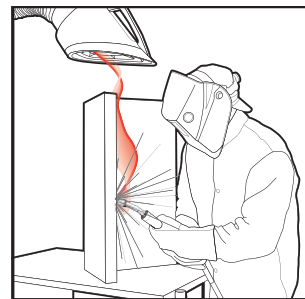
## UTILISER UNE VENTILATION

ou une évacuation suffisantes au niveau de l'arc, ou les deux, afin de maintenir les fumées et les gaz hors de votre zone de respiration et de la zone générale.

**DANS UNE GRANDE PIÈCE OU À L'EXTÉRIEUR**, la ventilation naturelle peut être adéquate si vous maintenez votre tête hors de la fumée (voir ci-dessous).

**UTILISER DES COURANTS D'AIR NATURELS** ou des ventilateurs pour maintenir la fumée à l'écart de votre visage.

Si vous développez des symptômes inhabituels, consultez votre superviseur. Peut-être que l'atmosphère de soudure et le système de ventilation doivent être vérifiés.



## PORTER UNE PROTECTION CORRECTE DES YEUX, DES OREILLES ET DU CORPS

**PROTÉGEZ** vos yeux et votre visage à l'aide d'un masque de soudeur bien ajusté avec la classe adéquate de lentille filtrante (voir ANSI Z49.1).

**PROTÉGEZ** votre corps contre les éclaboussures de soudage et les coups d'arc à l'aide de vêtements de protection incluant des vêtements en laine, un tablier et des gants ignifugés, des guêtres en cuir et des bottes.

**PROTÉGER** autrui contre les éclaboussures, les coups d'arc et l'éblouissement à l'aide de grilles ou de barrières de protection.



**DANS CERTAINES ZONES**, une protection contre le bruit peut être appropriée.

**S'ASSURER** que l'équipement de protection est en bon état.

En outre, porter des lunettes de sécurité **EN PERMANENCE.**



## SITUATIONS PARTICULIÈRES

**NE PAS SOUDER NI COUPER** des récipients ou des matériels qui ont été précédemment en contact avec des matières dangereuses à moins qu'ils n'aient été adéquatement nettoyés. Ceci est extrêmement dangereux.

**NE PAS SOUDER NI COUPER** des pièces peintes ou plaquées à moins que des précautions de ventilation particulières n'aient été prises. Elles risquent de libérer des fumées ou des gaz fortement toxiques.

## Mesures de précaution supplémentaires

**PROTÉGER** les bouteilles de gaz comprimé contre une chaleur excessive, des chocs mécaniques et des arcs ; fixer les bouteilles pour qu'elles tombent pas.

**S'ASSURER** que les bouteilles ne sont jamais mises à la terre ou une partie d'un circuit électrique.

**DÉGAGER** tous les risques d'incendie potentiels hors de la zone de soudage.

**TOUJOURS DISPOSER D'UN ÉQUIPEMENT DE LUTTE CONTRE L'INCENDIE PRÊT POUR UNE UTILISATION IMMÉDIATE ET SAVOIR COMMENT L'UTILISER.**



## PARTIE A : AVERTISSEMENTS



### AVERTISSEMENTS CALIFORNIE PROPOSITION 65



**AVERTISSEMENT :** Respirer des gaz d'échappement au diesel vous expose à des produits chimiques connus par l'état de Californie pour causer cancers, anomalies congénitales, ou autres anomalies de reproduction.

- Toujours allumer et utiliser le moteur dans un endroit bien ventilé.
- Pour un endroit exposé, évacuer les gaz vers l'extérieur.
- Ne pas modifier ou altérer le système d'échappement.
- Ne pas faire tourner le moteur sauf si nécessaire.

**Pour plus d'informations, rendez-vous sur [www.P65warnings.ca.gov/diesel](http://www.P65warnings.ca.gov/diesel)**

**AVERTISSEMENT :** Ce produit, lorsqu'il est utilisé pour le soudage ou la découpe, produit des émanations ou gaz contenant des produits chimiques connus par l'état de Californie pour causer des anomalies congénitales et, dans certains cas, des cancers. (Code de santé et de sécurité de la Californie, Section § 25249.5 et suivantes.)



**AVERTISSEMENT :** Cancer et anomalies congénitales [www.P65warnings.ca.gov](http://www.P65warnings.ca.gov)

**LE SOUDAGE À L'ARC PEUT ÊTRE DANGEREUX. PROTÉGEZ-VOUS ET LES AUTRES DE BLESSURES GRAVES OU DE LA MORT. ÉLOIGNEZ LES ENFANTS. LES PORTEURS DE PACEMAKER DOIVENT CONSULTER LEUR MÉDECIN AVANT UTILISATION.**

Lisez et assimilez les points forts sur la sécurité suivants : Pour plus d'informations liées à la sécurité, il est vivement conseillé d'obtenir une copie de « Sécurité dans le soudage & la découpe - Norme ANSI Z49.1 » auprès de l'American Welding Society, P.O. Box 351040, Miami, Florida 33135 ou la norme CSA W117.2-1974. Une copie gratuite du feuillet E205 « Sécurité au soudage à l'arc » est disponible auprès de Lincoln Electric Company, 22801 St. Clair Avenue, Cleveland, Ohio 44117-1199.

**ASSUREZ-VOUS QUE SEULES LES PERSONNES QUALIFIÉES EFFECTUENT LES PROCÉDURES D'INSTALLATION, D'OPÉRATION, DE MAINTENANCE ET DE RÉPARATION.**



### POUR ÉQUIPEMENT À MOTEUR.

- 1.a. Éteindre le moteur avant toute tâche de dépannage et de maintenance à moins que la tâche de maintenance nécessite qu'il soit en marche.
- 1.b. Utiliser les moteurs dans des endroits ouverts, bien ventilés ou évacuer les gaz d'échappement du moteur à l'extérieur.



- 1.c. Ne pas ajouter d'essence à proximité d'un arc électrique de soudage à flamme ouverte ou si le moteur est en marche. Arrêter le moteur et le laisser refroidir avant de remplir afin d'éviter que l'essence répandue ne se vaporise au contact de parties chaudes du moteur et à l'allumage. Ne pas répandre d'essence lors du remplissage du réservoir. Si de l'essence est répandue, l'essuyer et ne pas allumer le moteur tant que les gaz n'ont pas été éliminés.



- 1.d. Garder les dispositifs de sécurité de l'équipement, les couvercles et les appareils en position et en bon état. Éloigner les mains, cheveux, vêtements et outils des courroies en V, équipements, ventilateurs et de tout autre pièce en mouvement lors de l'allumage, l'utilisation ou la réparation de l'équipement.



- 1.e. Dans certains cas, il peut être nécessaire de retirer les dispositifs de sécurité afin d'effectuer la maintenance requise. Retirer les dispositifs uniquement si nécessaire et les replacer lorsque la maintenance nécessitant leur retrait est terminée. Toujours faire preuve de la plus grande attention lors du travail à proximité de pièces en mouvement.

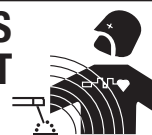
- 1.f. Ne pas mettre vos mains à côté du ventilateur du moteur. Ne pas essayer d'outrepasser le régulateur ou le tendeur en poussant les tiges de commande des gaz pendant que le moteur est en marche.

- 1.g. Afin d'éviter d'allumer accidentellement les moteurs à essence pendant que le moteur est en marche ou le générateur de soudage pendant la maintenance, débrancher les câbles de la bougie d'allumage, la tête d'allumage ou le câble magnétique le cas échéant.

- 1.h. Afin d'éviter de graves brûlures, ne pas retirer le bouchon de pression du radiateur lorsque le moteur est chaud.



### LES CHAMPS ÉLECTRIQUES ET MAGNÉTIQUES PEUVENT ÊTRE DANGEREUX.



- 2.a. Le courant électrique traversant les conducteurs crée des champs électriques et magnétiques (CEM) localisés. Le courant de soudage crée des CEM autour des câbles et de machines de soudage.
- 2.b. Les CEM peuvent interférer avec certains pacemakers, et les soudeurs portant un pacemaker doivent consulter un médecin avant le soudage.
- 2.c. L'exposition aux CEM dans le soudage peuvent avoir d'autres effets sur la santé qui ne sont pas encore connus.
- 2.d. Tous les soudeurs doivent suivre les procédures suivantes afin de minimiser l'exposition aux CEM à partir du circuit de soudage :
  - 2.d.1. Acheminer les câbles de l'électrode et ceux de retour ensemble - Les protéger avec du ruban adhésif si possible.
  - 2.d.2. Ne jamais enrouler le fil de l'électrode autour de votre corps.
  - 2.d.3. Ne pas se placer entre l'électrode et les câbles de retour. Si le câble de l'électrode est sur votre droite, le câble de retour doit aussi se trouver sur votre droite.
  - 2.d.4. Brancher le câble de retour à la pièce aussi proche que possible de la zone étant soudée.
  - 2.d.5. Ne pas travailler à proximité d'une source de courant pour le soudage.



## UNE DÉCHARGE ÉLECTRIQUE PEUT TUER.



- 3.a. Les circuits d'électrode et de retour (ou de terre) sont électriquement « chauds » lorsque la machine à souder est en marche. Ne pas toucher ces pièces « chaudes » à même la peau ou avec des vêtements humides. Porter des gants secs, non troués pour isoler les mains.
- 3.b. Isolez-vous de la pièce et du sol en utilisant un isolant sec. S'assurer que l'isolation est suffisamment grande pour couvrir votre zone complète de contact physique avec la pièce et le sol.

**En sus des précautions de sécurité normales, si le soudage doit être effectué dans des conditions électriquement dangereuses (dans des emplacements humides, ou en portant des vêtements mouillés ; sur des structures en métal telles que des sols, des grilles ou des échafaudages ; dans des postures inconfortables telles que assis, agenouillé ou allongé, s'il existe un risque élevé de contact inévitable ou accidentel avec la pièce à souder ou le sol), utiliser l'équipement suivant :**

- Machine à souder (électrique par fil) à tension constante CC semi-automatique.
  - Machine à souder (à tige) manuelle CC.
  - Machine à souder CA avec commande de tension réduite.
- 3.c. Dans le soudage électrique par fil semi-automatique ou automatique, l'électrode, la bobine de l'électrode, la tête de soudage, la buse ou le pistolet de soudage semi-automatique sont également électriquement « chauds ».
  - 3.d. Toujours s'assurer que le câble de retour établit une bonne connexion électrique avec le métal en cours de soudage. La connexion doit se trouver aussi près que possible de la zone en cours de soudage.
  - 3.e. Relier à la terre la pièce ou le métal à souder sur une bonne masse (terre) électrique.
  - 3.f. Maintenir le support d'électrode, la bride de serrage de la pièce, le câble de soudure et le poste de soudage en bon état, sans danger et opérationnels. Remplacer l'isolant endommagé.
  - 3.g. Ne jamais plonger l'électrode dans de l'eau pour le refroidir.
  - 3.h. Ne jamais toucher simultanément les pièces électriquement « chaudes » des supports d'électrode connectés à deux postes de soudure parce que la tension entre les deux peut être le total de la tension à circuit ouvert des deux postes de soudure.
  - 3.i. Lorsque vous travaillez au dessus du niveau du sol, utilisez une ceinture de travail afin de vous protéger d'une chute au cas où vous recevriez une décharge.
  - 3.j. Voir également les points 6.c. et 8.



## LES RAYONS DE L'ARC PEUVENT BRÛLER



- 4.a. Utiliser un masque avec le filtre et les protège-lentilles appropriés pour protéger vos yeux contre les étincelles et les rayons de l'arc lors d'un soudage ou en observant un soudage à l'arc visible. L'écran et la lentille du filtre doivent être conformes à la norme ANSI Z87.1 Normes.
- 4.b. Utiliser des vêtements adaptés fabriqués avec des matériaux résistants à la flamme afin de protéger votre peau et celle de vos aides contre les rayons d'arc électrique.
- 4.c. Protéger les autres personnels à proximité avec un blindage ignifugé, adapté et/ou les avertir de ne pas regarder ni de s'exposer aux rayons d'arc électrique ou à des éclaboussures chaudes de métal.



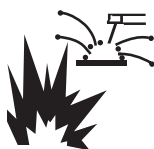
## LES FUMÉES ET LES GAZ PEUVENT ÊTRE DANGEREUX.



- 5.a. Le soudage peut produire des fumées et des gaz dangereux pour la santé. Éviter d'inhaler ces fumées et ces gaz. Lors du soudage, maintenir votre tête hors de la fumée. Utiliser une ventilation et/ou une évacuation suffisantes au niveau de l'arc afin de maintenir les fumées et les gaz hors de la zone de respiration. **Lors d'un soudage par rechargement dur (voir les instructions sur le récipient ou la FDS) ou sur de l'acier plaqué de plomb ou cadmié ou des enrobages qui produisent des fumées fortement toxiques, maintenir l'exposition aussi basse que possible et dans les limites OSHA PEL et ACGIH TLV en vigueur en utilisant une ventilation mécanique ou une évacuation locale à moins que les évaluations de l'exposition n'en indiquent autrement. Dans des espaces confinés ou lors de certaines circonstances, à l'extérieur, un appareil respiratoire peut également être requis. Des précautions supplémentaires sont également requises lors du soudage sur de l'acier galvanisé.**
5. b. Le fonctionnement de l'équipement de contrôle de la fumée de soudage est affecté par différents facteurs incluant une utilisation et un positionnement appropriés de l'équipement, la maintenance de l'équipement ainsi que la procédure de soudage spécifique et l'application impliquées. Le niveau d'exposition des opérateurs doit être vérifié lors de l'installation puis périodiquement par la suite afin d'être certain qu'il se trouve dans les limites OSHA PEL et ACGIH TLV en vigueur.
- 5.c. Ne pas souder dans des emplacements à proximité de vapeurs d'hydrocarbure chloré provenant d'opérations de dégraissage, de nettoyage ou de vaporisation. La chaleur et les rayons de l'arc peuvent réagir avec des vapeurs de solvant pour former du phosgène, un gaz hautement toxique, ainsi que d'autres produits irritants.
- 5.d. Les gaz de protection utilisés pour le soudage à l'arc peuvent déplacer l'air et causer des blessures ou la mort. Toujours utiliser suffisamment de ventilation, particulièrement dans des zones confinées, pour assurer que l'air ambiant est sans danger.
- 5.e. Lire et assimiler les instructions du fabricant pour cet équipement et les consommables à utiliser, incluant la fiche de données de sécurité (FDS), et suivre les pratiques de sécurité de votre employeur. Des formulaires de FDS sont disponibles auprès de votre distributeur de soudure ou auprès du fabricant.
- 5.f. Voir également le point 1.b.




## LE SOUDAGE ET LES ÉTINCELLES DE COUPAGE PEUVENT CAUSER UN INCENDIE OU UNE EXPLOSION.



- 6.a. Éliminer les risques d'incendie de la zone de soudage. Si ce n'est pas possible, les couvrir pour empêcher les étincelles de soudage d'allumer un incendie. Ne pas oublier que les étincelles de soudage et les matériaux brûlants du soudage peuvent facilement passer à travers de petites craquelures et ouvertures vers des zones adjacentes. Éviter de souder à proximité de conduites hydrauliques. Disposer d'un extincteur à portée de main.
- 6.b. Lorsque des gaz comprimés doivent être utilisés sur le site de travail, des précautions particulières doivent être prises afin d'éviter des situations dangereuses. Se référer à « Sécurité pour le soudage et le coupage » (norme ANSI Z49.1) ainsi qu'aux informations de fonctionnement de l'équipement utilisé.
- 6.c. Lorsque vous ne soudez pas, assurez-vous qu'aucune partie du circuit d'électrode touche la pièce ou le sol. Un contact accidentel peut causer une surchauffe et créer un risque d'incendie.
- 6.d. Ne pas chauffer, couper ou souder des réservoirs, des fûts ou des récipients avant que les étapes appropriées n'aient été engagées afin d'assurer que de telles procédures ne produiront pas des vapeurs inflammable ou toxiques provenant de substances à l'intérieur. Elles peuvent causer une explosion même si elles ont été « nettoyées ». Pour information, acheter « Recommended Safe Practices for the Preparation for Welding and Cutting of Containers and Piping That Have Held Hazardous Substances » (Mesures de sécurité pour la préparation du soudage et du coupage de récipients et de canalisations qui ont retenu des matières dangereuses), AWS F4.1 auprès de l'American Welding Society (Société Américaine de Soudage) (voir l'adresse ci-dessus).
- 6.e. Ventiler les produits moulés creux ou les récipients avant de chauffer, de couper ou de souder. Ils risquent d'exploser.
- 6.f. Des étincelles et des éclaboussures sont projetées de l'arc de soudage. Porter des vêtements de protection sans huile tels que des gants en cuir, une chemise épaisse, un pantalon sans revers, des chaussures montantes ainsi qu'un casque au dessus de vos cheveux. Porter des protège-tympons lors d'un soudage hors position ou dans des emplacements confinés. Dans une zone de soudage, porter en permanence des lunettes de sécurité avec des écrans latéraux de protection.
- 6.g. Connecter le câble de retour sur la pièce aussi près que possible de la zone de soudure. Les câbles de retour connectés à la structure du bâtiments ou à d'autres emplacements éloignées de la zone de soudage augmentent le risque que le courant de soudage passe à travers les chaînes de levage, les câbles de grue ou d'autres circuits alternatifs. Ceci peut créer des risques d'incendie ou de surchauffe des chaînes ou câbles de levage jusqu'à leur défaillance.
- 6.h. Voir également le point 1.c.
- 6.i. Lire et se conformer à la norme NFPA 51B, « Standard for Fire Prevention During Welding, Cutting and Other Hot Work » (Norme de prévention contre l'incendie durant le soudage, le coupage et d'autres travaux à chaud), disponible auprès de la NFPA, 1 Batterymarch Park, PO box 9101, Quincy, MA 022690-9101.
- 6.j. Ne pas utiliser une source d'alimentation de soudage pour le dégel des canalisations.



## LA BOUTEILLE PEUT EXPLOSER SI ELLE EST ENDOMMAGÉE

- 7.a. Utiliser uniquement des bouteilles de gaz comprimé contenant le gaz de protection correct pour le processus utilisé ainsi que des régulateurs fonctionnant correctement conçus pour le gaz et la pression utilisés. Tous les tuyaux, raccords, etc. doivent être adaptés à l'application et maintenus en bon état. 
- 7.b. Toujours maintenir les bouteilles en position verticale, solidement attachées à un châssis ou à un support fixe.
- 7.c. Les bouteilles doivent se trouver :
  - À l'écart des zones où elles risquent d'être heurtées ou exposées à des dommages matériels.
  - À distance de sécurité d'opérations de soudage ou de coupage à l'arc et de toute source de chaleur, d'étincelles ou de flammes.
- 7.d. Ne jamais laisser l'électrode, le support de l'électrode ou de quelconques pièces électriquement « chaudes » toucher une bouteille.
- 7.e. Maintenir votre tête et votre visage à l'écart de la sortie du robinet de la bouteille lors de l'ouverture de ce dernier.
- 7.f. Les capuchons de protection de robinet doivent toujours être en place et serrés à la main sauf quand la bouteille est en cours d'utilisation ou connectée pour être utilisée.
- 7.g. Lire et suivre les instructions sur les bouteilles de gaz comprimé, l'équipement associé, et la publication CGA P-1, « Precautions for Safe Handling of Compressed Gases in Cylinders » (précautions pour la manipulation sécurisée d'air comprimé en bouteilles) disponible auprès de la Compressed Gas Association (association des gaz comprimés), 14501 George Carter Way Chantilly, VA 20151.



## POUR L'ÉQUIPEMENT ÉLECTRIQUE



- 8.a. Couper l'alimentation d'entrée en utilisant le sectionneur au niveau de la boîte de fusibles avant de travailler sur l'équipement.
- 8.b. Installer l'équipement conformément au U.S. National Electrical Code, à tous les codes locaux et aux recommandations du fabricant.
- 8.c. Relier à la terre l'équipement conformément au U.S. National Electrical Code et aux recommandations du fabricant.

**Se référer  
à <http://www.lincolnelectric.com/safety>  
pour d'avantage d'informations sur  
la sécurité.**

**SPÉCIFICATIONS TECHNIQUES Unités de 180 Amps (K2481-1, K2515-1, K2659-1, K2689-1, K2698-1)**
**ENTRÉE – MONOPHASE SEULEMENT**

<b>Tension / Fréquence Normales</b>		<b>Courant d'Entrée</b>	
230 V	60 Hz	20 Amps @ régime de sortie	
208 V	60 Hz	20 Amps @ régime de sortie	

**RÉGIME DE SORTIE**

<b>Tension / Facteur de Marche</b>		<b>Courant</b>	<b>Tension à Régime d'Ampères</b>
230 V	30%	130 Amps	20
208 V	30%	130 Amps	17

**SORTIE**

<b>Registre Courant de Soudage</b> 30-180 Amps	<b>Tension Circuit Ouvert</b> 34 V	<b>Registre Vitesse Fil</b> 50 - 500 in/min. (1,3 - 12,7 m/min.)
---	---------------------------------------	--

**TAILLES RECOMMANDÉES DE CÂBLES D'ENTRÉE ET DE FUSIBLES**

<b>Tension / Fréquence d'Entrée</b>	<b>Taille Fusible ou Disjoncteur<sup>1</sup></b>	<b>Amps Entrée</b>	<b>Cordon de Puissance</b>
230 V 60 Hz	Super Lag 40 Amp	20	Prise à Trois Pointes de 50 Amps, 250 V (NEMA Type 6-50P)

**DIMENSIONS PHYSIQUES**

<b>Hauteur</b> 13,7 in 347 mm	<b>Largeur</b> 10,15 in 258 mm	<b>Profondeur</b> 17,9 in 454 mm	<b>Poids</b> 64 lbs 29 kg
-------------------------------------	--------------------------------------	--	---------------------------------

<sup>1</sup> Si branché sur un circuit protégé par des fusibles, utiliser des Fusibles à Retardement portant la marque « D ».

Lire la section d'Installation dans sa totalité avant de commencer l'installation.

**MESURES DE SÉCURITÉ**
**⚠ AVERTISSEMENT**


**LES CHOCS ÉLECTRIQUES peuvent être mortels.**

- Cette opération ne doit être réalisée que par le personnel qualifié.
- Seul le personnel ayant lu et compris le Manuel d'Opération de la SOUDEUSE CHARGEUR DE FIL est en mesure d'installer et de faire fonctionner cet appareil.
- La machine doit être branchée sur un réceptacle raccordé à terre conformément aux Codes Électriques Nationaux et Locaux et à tout autre en vigueur.
- L'interrupteur de puissance de la SOUDEUSE CHARGEUR DE FIL doit se trouver sur la position ÉTEINTE (OFF « O ») au moment de l'installation du câble de travail et du pistolet et de la connexion du cordon de puissance sur la puissance d'entrée.

**CHOIX D'UN EMPLACEMENT APPROPRIÉ**

Placer la soudeuse dans un endroit sec là où l'air propre peut circuler librement en entrant par les événements se trouvant sur l'arrière de l'unité et en sortant par l'avant. Un endroit réduisant au minimum la quantité de fumée et de saleté pouvant être attirée à l'intérieur des événements de l'arrière diminue les probabilités d'accumulation de saleté pouvant bloquer les passages d'air et provoquer une surchauffe.

**EMPILAGE**

La SOUDEUSE CHARGEUR DE FIL (MODÈLES 180) ne peut pas être empilée.

**INCLINAISON**

Chaque machine doit être placée sur une surface nivelée et sûre, soit directement soit sur un chariot recommandé. La machine pourrait basculer si cette procédure n'était pas respectée..

SOUDEUSE CHARGEUR DE FIL (MODÈLES 180)

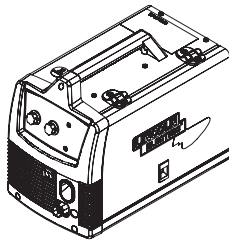




## IDENTIFICATION ET EMPLACEMENT DES COMPOSANTS pour les Unités de 180 AMP

## COMPOSANTS INCLUS

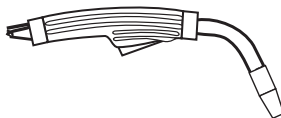
- Soudeuse Chargeur de Fil.



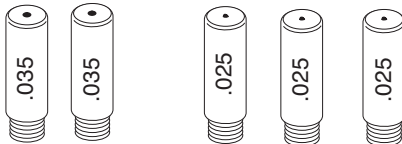
- Câble de Travail et Agrafe.



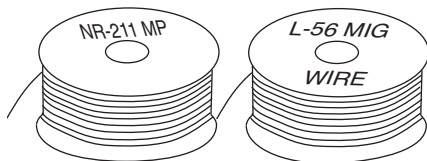
- Pistolet à Souder Magnum 100L.



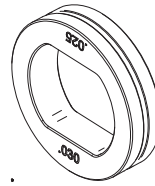
- 3 Pointes de Contact de 0,035 (une installée sur le pistolet à souder).
- 3 Pointes de Contact de 0,025.



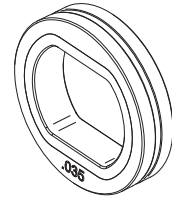
- Bobine de Fil Innershield à Noyau Fondant NR-211MP de 0,035 de diamètre.
- Bobine de Fil MIG L-56 de 0,025 de diamètre.



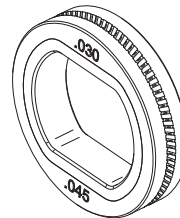
- Rouleau Conducteur Lisse de 0,025-.030



- Rouleau Conducteur Lisse de 0,035.



- Rouleau Conducteur Moleté de 0,030 – 0,045 (Installé sur la Machine).



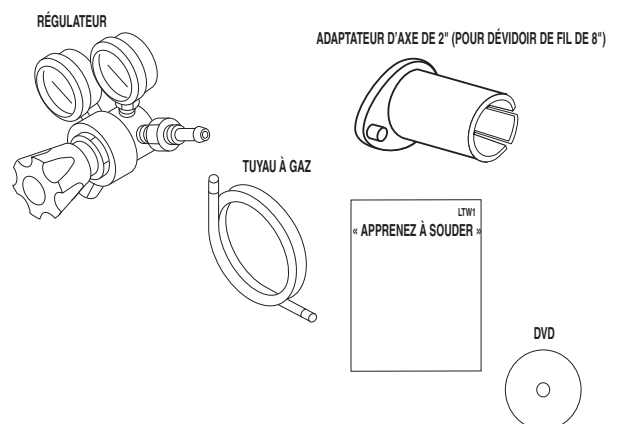
- Bec de Gaz Noir pour Usage sans Gaz avec Électrode Fourrée (Installé sur le Pistolet à Souder).



- Bec de Gaz en Laiton pour Gaz MIG.



- Adaptateur d'Axe de 2" (Pour Dévidoir de Fil de 8")
- Régulateur
- Tuyau à Gaz
- Apprenez à Souder (Manuel LTW1)
- DVD



SOUDEUSE CHARGEUR DE FIL (MODÈLES 180)

Lire la section de Fonctionnement dans sa totalité avant de faire fonctionner la SOUDEUSE CHARGEUR DE FIL

## AVERTISSEMENT

### LES CHOCS ÉLECTRIQUES peuvent être mortels.



- Ne pas toucher les pièces sous tension ou l'électrode les mains nues ou si l'on porte des vêtements humides. S'isoler du travail et du sol.
- Toujours porter des gants isolants secs.

### LES VAPEURS ET LES GAZ peuvent être dangereux.



- Maintenir la tête hors des vapeurs.
- Utiliser la ventilation ou un système d'échappement pour évacuer les vapeurs de la zone de respiration.



### LES ÉTINCELLES DE SOUDURE peuvent provoquer des incendies ou des explosions.

- Tenir les matériaux inflammables éloignés.
- Ne pas souder sur des récipients fermés.



### LES RAYONS DES ARCS peuvent causer des brûlures aux yeux et à la peau.

- Porter des protections pour les yeux, les oreilles et le corps.

Suivre toutes les instructions de Sécurité détaillées tout au long de ce manuel.

## DESCRIPTION DU PRODUIT (CAPACITÉS DU PRODUIT)

Cette petite soudeuse portative de fil est capable de la soudure de MIG sur l'acier, l'acier inoxydable, et l'aluminium. La soudeuse de fil est également capable de la Soudure de noyau de flux sur l'acier doux.

Le soudage MIG signifie soudage à Gaz Inerte Métal et requiert d'une bouteille de gaz inerte à part pour protéger la soudure jusqu'à ce qu'elle refroidisse. Du gaz de protection approprié en fonction du type de matériau à souder peut être acheté séparément chez le distributeur de gaz à souder le plus proche. Le soudage MIG est idéal pour souder sur des matériaux propres et plus fins lorsqu'une excellente soudure très propre et d'apparence cosmétique est nécessaire. Par exemple, les panneaux de la carrosserie d'une voiture.

Le soudage auto blindé à noyau fondant ne requiert pas de gaz de protection à part pour protéger la soudure car le fil à souder contient des additifs spécifiques connus en tant que fondants pour protéger la soudure jusqu'à ce qu'elle refroidisse. Le soudage avec électrode fourrée est idéal pour des matériaux d'épaisseur moyenne et plus épais et pour souder sur de l'acier peint ou rouillé. Le soudage à noyau fondant est aussi idéal pour des applications en extérieur où le vent pourrait souffler sur le gaz de protection MIG et l'éloigner de la soudure. Le soudage avec électrode fourrée produit une belle soudure mais pas d'apparence excellente comme avec le soudage MIG.

La machine comprend les articles nécessaires pour souder sur l'acier aussi bien avec le procédé MIG qu'avec le procédé à noyau fondant. Pour souder sur de l'acier inoxydable, du fil à souder en acier inoxydable en option peut être acheté séparément. Cette machine peut souder de l'aluminium en utilisant du fil à souder en aluminium 4043 de 0,035 de diamètre. Du fait que le fil à souder en aluminium est souple, il est recommandé d'utiliser un pistolet à bobine d'aluminium en option pour obtenir de meilleurs résultats. Une Étiquette Autocollante de Procédure de Soudage se trouve sur la face intérieure de la porte de la machine afin d'aider à obtenir les réglages recommandés pour le soudage.

## ABBREVIATIONS DE SOUDAGE COMMUNES

### GMAW (MIG)

- Soudage à l'Arc Gaz Métal

### FCAW (Innershield ou Outershield)

- Soudage à l'Arc à Noyau Fondant

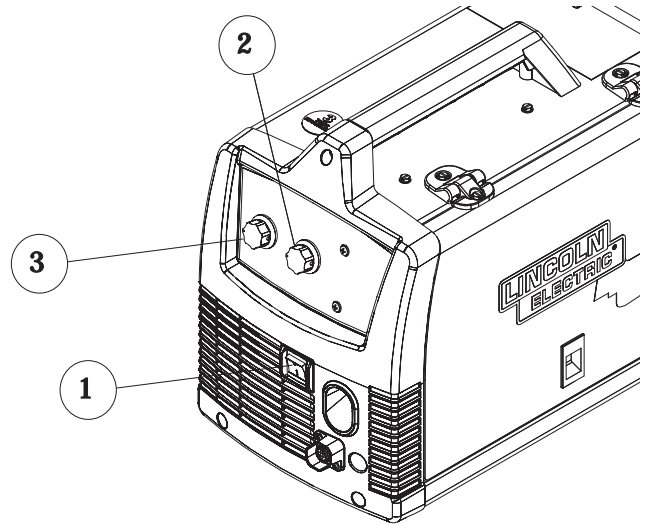
## CONTRÔLES ET RÉGLAGES

Cette machine possède les contrôles suivants:

Voir la Figure B.1

FIGURE B.1

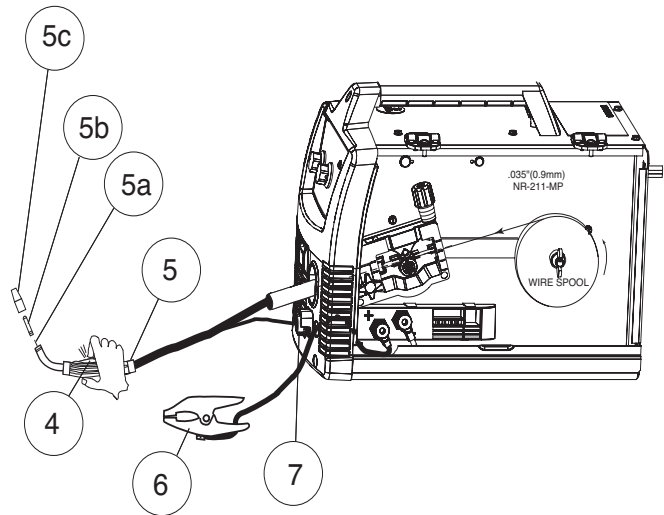
1. **INTERRUPTEUR DE PUISSANCE** – Allume et coupe la puissance de la machine.
2. **CONTRÔLE DE LA TENSION DE L'ARC** – Ce bouton règle la tension de sortie de la machine. De même que pour la vitesse d'alimentation du fil (WFS), ce contrôle établit une procédure de soudage. Se reporter à l'étiquette autocollante de procédure sur la face intérieure de la porte du compartiment de l'entraîneur de fil pour établir une procédure de soudage correcte en fonction du type de matériau à souder et de son épaisseur.
3. **CONTRÔLE DE LA VITESSE D'ALIMENTATION DU FIL (WFS)** – Le bouton règle la vitesse à laquelle la machine alimente le fil. De même que pour la tension de l'arc, ce contrôle établit une procédure de soudage. Se reporter à l'étiquette autocollante de procédure sur la face intérieure de la porte du compartiment du conducteur de fil pour établir une procédure de soudage correcte en fonction du type de matériau à souder et de son épaisseur.



Voir la Figure B.2.

FIGURE B.2

4. **GÂCHETTE DU PISTOLET** - Appuyer sur la gâchette pour activer l'entraîneur de fil afin qu'il alimente le fil et pour placer la sortie de la machine sous énergie. Appuyer sur la gâchette pour souder et relâcher la gâchette pour cesser de souder.
5. **PISTOLET À SOUDER** – Fournit du fil et du courant de soudage à la soudure.
  - a. Gaine du Pistolet – le fil se déplace au travers de la gaine depuis l'entraîneur de fil. La gaine alimente du fil de 0,025 à 0,035. La machine de 180A peut souder avec du fil de 0,045 si une gaine de 0,045 en option est installée dans le pistolet.
  - b. Pointe de Contact – Fournit au fil un contact électrique.
  - c. Bec – Lors du soudage à noyau fondant, le bec noir protège le filetage de montage du pistolet. Lors du soudage MIG, le bec en laiton envoie du gaz de protection sur la soudure.
6. **AGRAFE ET CÂBLE DE TRAVAIL** – S'agrafe sur la pièce à travailler qui va être soudée et ferme le circuit électrique de soudage.
7. **RÉCEPTACLE DU CONNECTEUR DE LA GÂCHETTE DU PISTOLET** – Brancher le connecteur à 4 goupilles de la gâchette du pistolet sur ce réceptacle

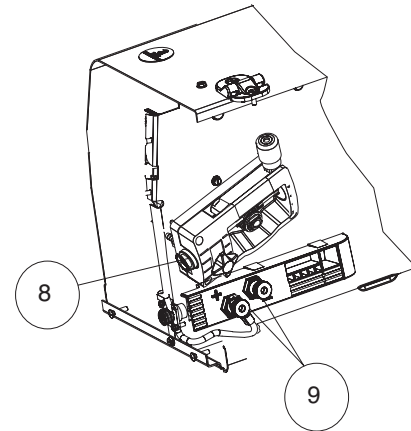


Voir la Figure B.3.

**8. COUSSINET ET VIS DE PRESSION DU CONNECTEUR DU PISTOLET À SOUDER** – Fournit la puissance électrique au pistolet à souder. La vis de pression maintient le pistolet à souder dans le bloc du connecteur. (Le Devant de la Machine, la Porte Latérale et le Couvercle de l'Entraîneur de Fil ont été retirés pour une plus grande clarté des articles 8 et 9).

**9. TERMINALES DE SORTIE** – Ces connexions permettent de changer la polarité de soudage de la machine en fonction du soudage, MIG ou avec électrode fourrée.

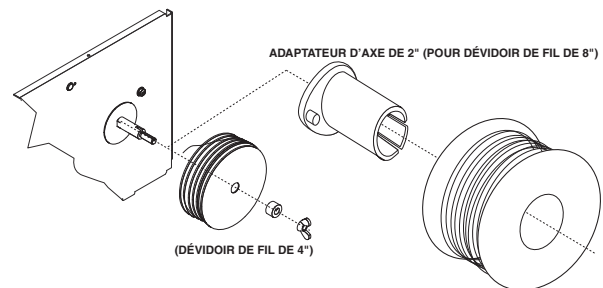
FIGURE B.3



Voir la Figure B.4

**10. AXE ET FREIN DE LA BOBINE DE FIL** – Soutient une bobine de 4 pouces de diamètre. Employer l'adaptateur d'axe de 2 pouces inclus avec la machine pour utiliser des bobines de 8 pouces de diamètre. La vis de pression règle la friction du frein afin d'empêcher la bobine de trop tourner lorsque la gâchette est relâchée.

FIGURE B.4



Voir la Figure B.5

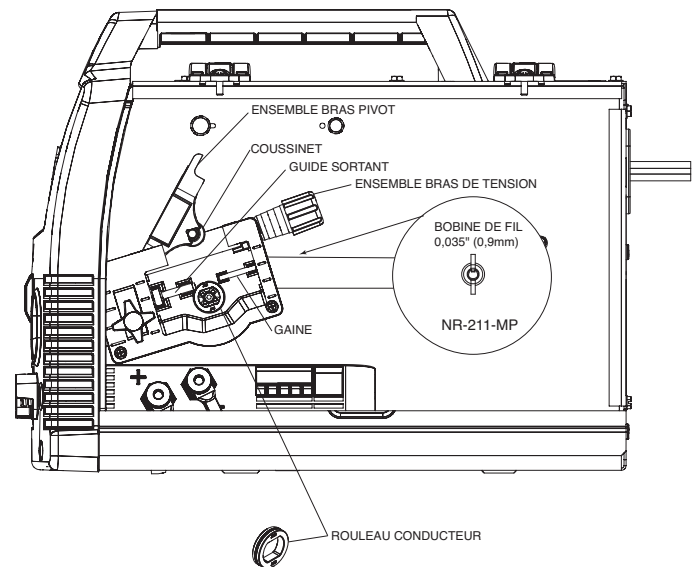
**11. ENTRAÎNEUR DE FIL & COMPOSANTS** – Alimente le fil depuis la bobine de fil en passant par l'entraîneur et par le pistolet à souder jusqu'à la soudure.

**a. Rouleau Conducteur** – Entraîne le fil au travers du mécanisme d'entraînement. Le rouleau conducteur possède une rainure afin de s'adapter au type et diamètre de fil spécifiques. Se reporter au Tableau B.1 pour les rouleaux conducteurs disponibles.

**b. Gaine & Guide Sortant** – La gaine guide le fil entre le roulement sur l'Ensemble du Bras Pivot et le Rouleau Conducteur et à travers le guide sortant.

**c. Vis de Pression de Tension du Rouleau Conducteur** – Si on la tourne dans le sens des aiguilles d'une montre, on augmente la force exercée sur les rouleaux conducteurs, et si on la tourne dans le sens contraire à celui des aiguilles d'une montre, on réduit cette force.

FIGURE B.5



**TABLEAU B.1**  
**ROULEAUX CONDUCTEURS**

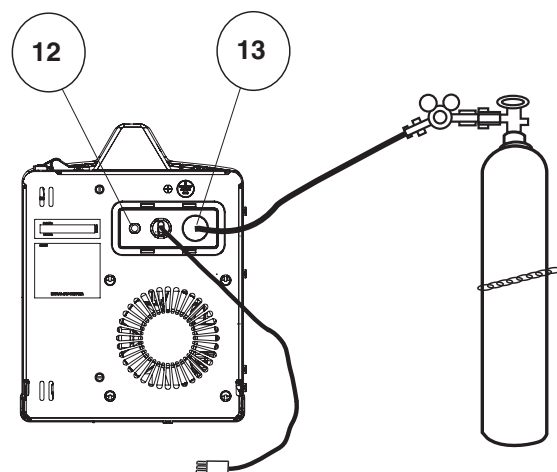
Diamètre & Type de Fil	Rouleau Conducteur	No. Pièce Rouleau Conducteur
Fil MIG de 0,025	Rouleau Conducteur Lisse de 0,025 - 0,025	KP2529-1
Fil MIG de 0,030		
Fil MIG de 0,035	Rouleau Conducteur Lisse de 0,035	KP2529-2
Fil Fourré de 0,030	Rouleau Conducteur Moleté de 0,030/0,045	KP2529-3
Fil Fourré de 0,035		
Fil Fourré de 0,045	Rouleau Conducteur Moleté de 0,030/0,045	KP2529-3

Voir la Figure B.6

**12. DISJONCTEUR** – Si le courant nominal d'entrée de la machine est dépassé, ce disjoncteur saute. Appuyer pour le rétablir.

**13. ADMISSION DE GAZ** – Le gaz de protection se branche sur cette admission.

**FIGURE B.6**



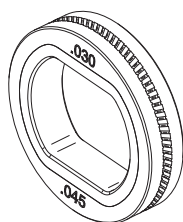
## PRÉPARATION ET RÉALISATION D'UNE SOUDURE AVEC ÉLECTRODE FOURRÉE

### A. ARTICLES NÉCESSAIRES AU SOUDAGE AVEC ÉLECTRODE FOURRÉE

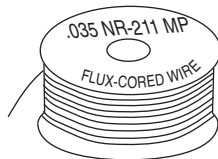
1. Pointe de Contact de 0,035



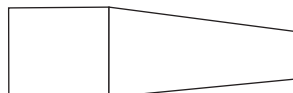
2. Rouleau Conducteur Moleté



3. Fil Fourré de 0,035 NR-211MP



4. Bec Noir de Pistolet pour Soudage à Noyau Fondant



5. Pistolet à Souder



7. Câble & Agrafe de Travail

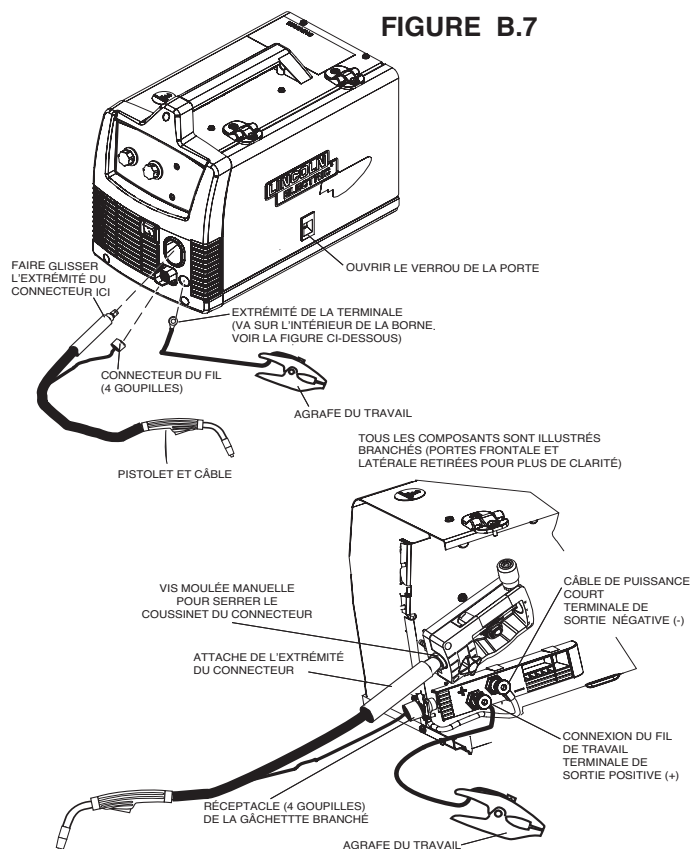


**SOUDEUSE CHARGEUR DE FIL (MODÈLES 180)**

## B. BRANCHEMENT DES FILS ET CÂBLES SUR LA MACHINE

(Voir la figure B.7)

- Ouvrir la porte latérale de la console.
- Faire glisser l'extrémité du connecteur du pistolet et du câble au travers de l'orifice sur le devant de la machine et à l'intérieur du coussinet du connecteur du pistolet sur l'entraîneur de fil.
- S'assurer que l'extrémité du connecteur du pistolet se trouve complètement à l'intérieur de l'entraîneur de fil puis serrer la vis moulée manuelle afin de fixer le connecteur du pistolet.
- Brancher le connecteur du fil de la gâchette du pistolet sur le réceptacle à 4 goupilles de la gâchette du pistolet sur le devant de la machine.
- Polarité de l'Entraîneur de Fil. Le soudage à noyau fondant s'effectue avec la polarité négative (-). Brancher le câble de puissance court de l'entraîneur de fil sur la terminale de sortie négative (-) puis serrer le bouton moleté.
- Connexion du Fil de Travail. Faire glisser l'extrémité à ergot du câble de travail au travers de l'orifice sur le devant de la machine et le placer sur la terminale de sortie positive (+) puis serrer le bouton moleté.

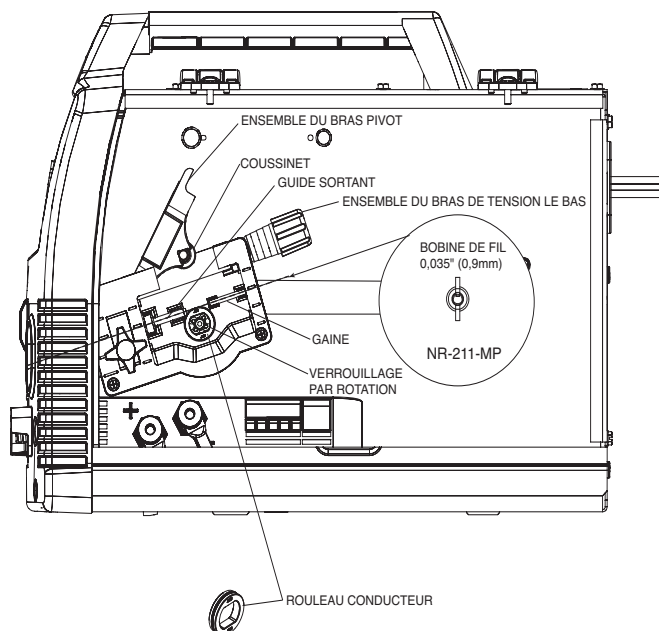


## C. CHARGEMENT DE LA BOBINE DE FIL

(Voir la Figure B.8)

- Repérer la bobine de fil fourré de 0,035 NR-211MP de 4" de diamètre portant une étiquette bleue et la placer sur l'axe de bobine de fil. Orienter la bobine de telle sorte que le fil se déroule par le haut de la bobine.
- Fixer la bobine en place en serrant l'écrou papillon contre la bague d'espacement qui maintient la bobine de fil sur l'axe.
- Ouvrir l'ensemble du bras pivot en tournant l'ensemble du bras de tension vers le bas et soulever l'ensemble du bras pivot.
- Retirer le rouleau conducteur en faisant tourner le verrouillage par rotation qui maintient le rouleau conducteur. Installer le rouleau conducteur moleté de 0,035-0,045.
- Dérouler prudemment et étirer les six premiers pouces de fil à souder de la bobine. Ne pas lâcher l'extrémité du fil afin d'empêcher le fil de se dérouler.

**FIGURE B.8**



(Voir la Figure B.9)

6. Alimenter le fil au travers de la gaine interne, sur la rainure du rouleau conducteur, au travers du guide sortant et de la sortie de l'entraîneur de fil sur le côté du pistolet.
7. Fermer l'Ensemble du Bras Pivot et le serrer en refaisant tourner l'Ensemble du Bras de Tension vers le haut.

(Voir la Figure B.10)

8. Retirer le bec du pistolet et de la pointe de contact et étendre le pistolet bien à plat.
9. Allumer la puissance de la machine et appuyer sur la gâchette du pistolet pour alimenter le fil au travers de la gaine du pistolet jusqu'à ce que plusieurs pouces de fil sortent par l'extrémité fileté du pistolet. (Voir la Figure B.11).
10. Lorsque la gâchette est relâchée, la bobine de fil ne doit pas se dérouler. Régler le frein de la bobine de fil en fonction des besoins.

## ⚠ AVERTISSEMENT



**ILS PIÈCES MOBILES ET LES CONTACTS ÉLECTRIQUES PEUVENT PROVOQUER DES BLESSURES OU MÊME LA MORT.**

•Lorsqu'on appuie sur la gâchette, les rouleaux conducteurs, la bobine de fil et l'électrode se trouvent SOUS ALIMENTATION ÉLECTRIQUE.

• Se tenir éloigné des pièces mobiles et des leviers.

• Maintenir toutes les Portes, Couvertres, Panneaux et Protections bien en place.



**NE PAS RETIRER NI DISSIMULER LES ÉTIQUETTES D'AVERTISSEMENT.**

11. Installer la pointe de contact de 0,035.
12. Installer le bec noir de soudage à noyau fondant sur le pistolet.
13. Régler le dépassement du fil à 3/8" de la pointe de contact. (Voir la Figure B.12).
14. Fermer la porte latérale de la console. La machine est alors prête à souder.
15. Lire le manuel « Apprenez à Souder » (LTW1) qui est inclus avec la machine ou bien regarder le DVD « Comment Souder » qui est également inclus avec la machine.
16. En fonction de l'épaisseur du matériau à souder et du type et diamètre du fil à souder, régler la tension et la vitesse d'alimentation du fil conformément à l'étiquette autocollante de procédure qui se trouve sur la face intérieure de la porte du compartiment de l'entraîneur de fil.

FIGURE B.9

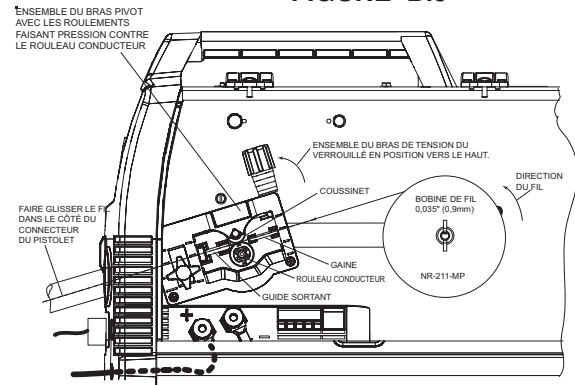


FIGURE B.10

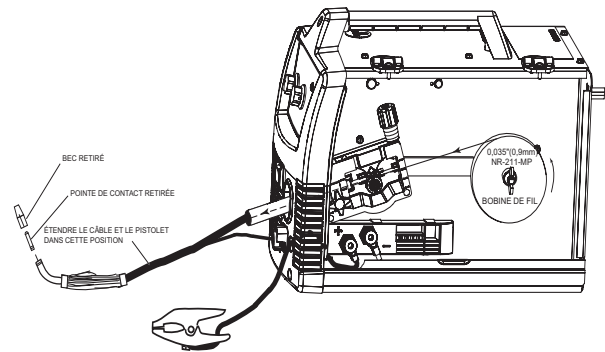


FIGURE B.11

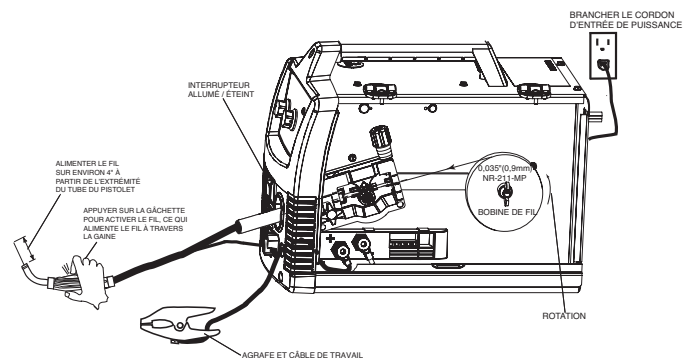
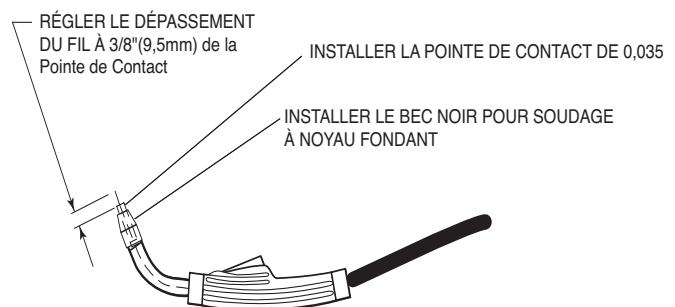


FIGURE B.12



SOUDEUSE CHARGEUR DE FIL (MODÈLES 180)



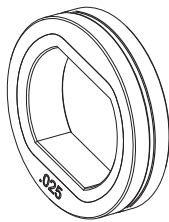
# PRÉPARATION ET RÉALISATION D'UNE SOUDURE MIG

## A. ARTICLES NÉCESSAIRES AU SOUDAGE MIG

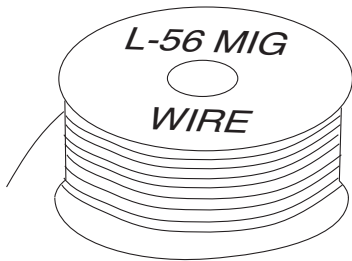
1. Pointe de Contact de 0,025



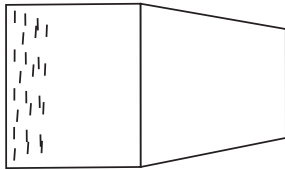
3. Rouleau Conducteur de 0,025



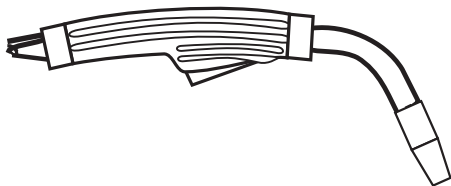
4. Fil MIG Solide de 0,025 SuperArc L-56



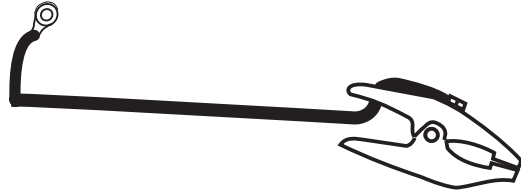
5. Bec de Pistolet en Laiton



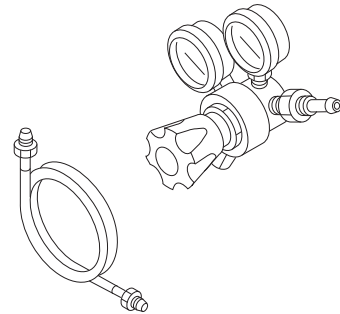
6. Pistolet à Souder



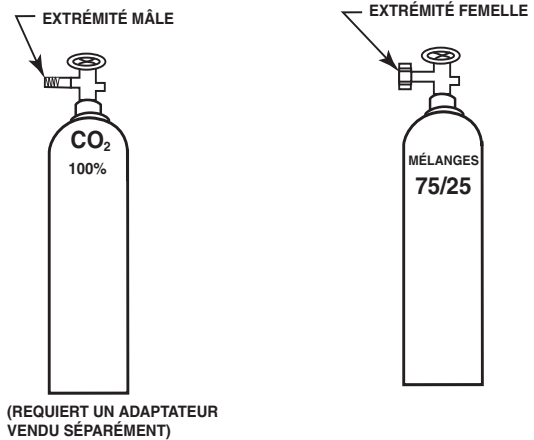
7. Câble et Agrafe de Travail



8. Régulateur de Gaz et Ligne de Gaz



9. Bouteille de gaz de protection 75/25 Ar/CO<sub>2</sub> (ou gaz de protection 100% CO<sub>2</sub>). (Noter que celui-ci requiert un adaptateur de régulateur de CO<sub>2</sub> qui est vendu séparément).



SOUDEUSE CHARGEUR DE FIL (MODÈLES 180)





## B. INSTALLATION DU GAZ DE PROTECTION

Pour le soudage MIG, il est nécessaire d'avoir une bouteille de gaz de protection appropriée. Pour l'acier doux, on peut utiliser soit un cylindre de mélange Ar/CO<sub>2</sub> soit du CO<sub>2</sub> à 100%. Se reporter aux instructions ci-dessous pour connecter correctement le gaz de protection sur la machine.

### ⚠ AVERTISSEMENT



**LES CYLINDRES peuvent exploser s'ils sont endommagés. Tenir les cylindres bien droits et enchaînés au support.**

- Tenir les cylindres éloignés des zones où ils pourraient être endommagés.
- Ne jamais soulever la soudeuse lorsque le cylindre y est fixé.
- Ne jamais permettre que l'électrode de soudage touche les cylindres.
- Tenir les cylindres éloignés des circuits de soudage ou de tout autre circuit sous alimentation électrique.

### ⚠ AVERTISSEMENT



**L'ACCUMULATION DE GAZ DE PROTECTION peut être nocive pour la santé ou être mortelle.**

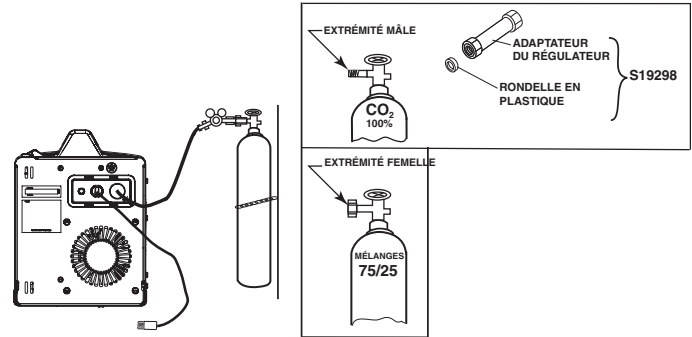
- Couper l'alimentation du gaz de protection lorsque celui-ci n'est pas utilisé.

1. Attacher le cylindre à un mur ou à un autre support fixe afin de l'empêcher de tomber. Isoler le cylindre du circuit de travail et de la masse. Se reporter à la Figure B.13.
2. Une fois le cylindre installé de façon sûre, retirer le bouchon du cylindre. Se tenir sur un côté loin de la sortie du gaz puis ouvrir très légèrement la soupape du cylindre pendant un instant. Ceci permet d'éliminer toute poussière ou saleté pouvant s'être accumulée dans l'échappement de la soupape.

### ⚠ AVERTISSEMENT

**PRENDRE GARDE DE MAINTENIR SON VISAGE LOIN DE LA SORTIE DE LA SOUPAPE PENDANT QUE L'ON OUVRE LA SOUPAPE. Ne jamais se tenir directement devant ou derrière le régulateur de flux au moment d'ouvrir la soupape du cylindre. Toujours se tenir sur le côté.**

FIGURE B.13



3. Fixer le régulateur de flux sur la soupape du cylindre et bien serrer l'écrou de l'union au moyen d'une clef.

**NOTE:** Si la connexion est effectuée sur un cylindre à 100% de CO<sub>2</sub>, un adaptateur de régulateur de CO<sub>2</sub> est requis. Acheter séparément l'adaptateur de CO<sub>2</sub> S19298. Prendre soin d'installer la rondelle en plastique incluse avec l'accessoire sur le côté de la bouteille. (Voir la Figure B.13).

4. Se reporter à la Figure B.13. Fixer une extrémité du tuyau de gaz d'admission sur l'accessoire de sortie du régulateur de flux et bien serrer l'écrou de l'union au moyen d'une clef. Brancher l'autre extrémité sur l'Accessoire d'Admission du Solénoïde de la machine (filetage femelle de 5/8-18 – pour accessoire CGA – 032). S'assurer que le tuyau à gaz ne soit pas déformé ou tordu.

## GAZ DE PROTECTION

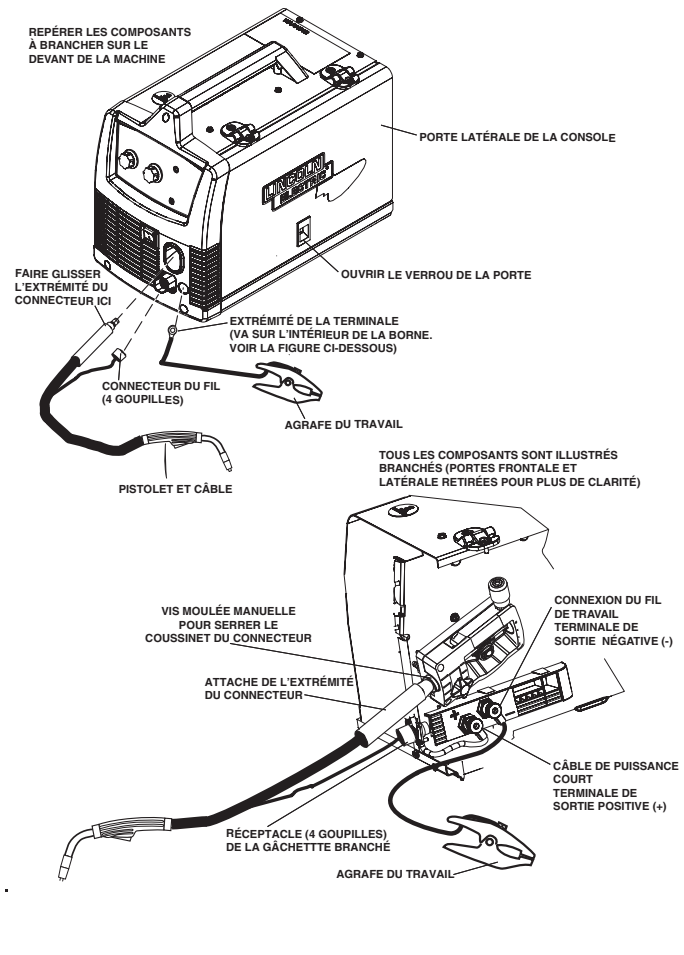
1. Pour le CO<sub>2</sub>, ouvrir le cylindre très lentement. Pour le gaz argon mélangé, ouvrir lentement la soupape du cylindre sur une fraction de tour. Lorsque l'aiguille de la jauge à pression du cylindre cesse de bouger, ouvrir complètement la soupape.
2. Régler le débit du gaz sur 30 à 40 pieds cubes par heure (14 à 18 l/min.) dans des conditions normales ; augmenter jusqu'à 40 à 50 CFH (18 à 23,5 l/min.) dans des conditions légèrement venteuses.
3. Maintenir la soupape du cylindre fermée, sauf pendant l'utilisation de la machine.

## C. BRANCHEMENT DES FILS ET CÂBLES SUR LA MACHINE

(Voir la figure B.14)

1. Ouvrir la porte latérale de la console.
2. Faire glisser l'extrémité du connecteur du pistolet et du câble au travers de l'orifice sur le devant de la machine et à l'intérieur du coussinet du connecteur du pistolet sur l'entraîneur de fil.
3. S'assurer que l'extrémité du connecteur du pistolet se trouve complètement à l'intérieur de l'entraîneur de fil puis serrer la vis de pression afin de fixer le connecteur du pistolet.
4. Brancher le connecteur du fil de la gâchette du pistolet sur le réceptacle à 4 goupilles de la gâchette du pistolet sur le devant de la machine.
5. Polarité de l'Entraîneur de Fil. Le soudage MIG s'effectue avec la polarité positive (+). Brancher le câble de puissance court de l'entraîneur de fil sur la terminale de sortie positive (+) puis serrer la vis de pression.
6. Connexion du Fil de Travail. Faire glisser l'extrémité à ergot du câble de travail au travers de l'orifice sur le devant de la machine et le placer sur la terminale de sortie négative (-) puis serrer la vis de pression.

FIGURE B.14

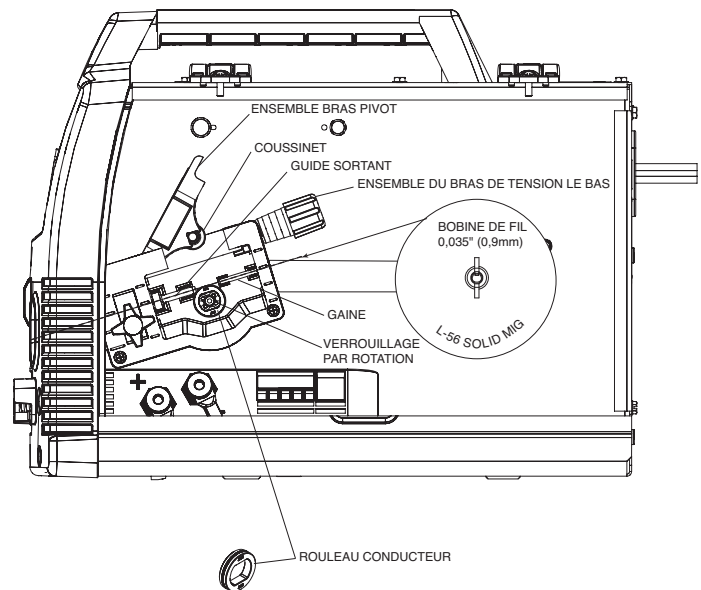


## D. CHARGEMENT DE LA BOBINE DE FIL

(Voir la Figure B.15)

1. Repérer la bobine de fil solide MIG de 0,025 L-56 de 4" de diamètre portant une étiquette verte et la placer sur l'axe de bobine de fil. Orienter la bobine de telle sorte que le fil se déroule par le haut de la bobine.
2. Fixer la bobine en place en serrant l'écrou papillon contre la bague d'espacement qui maintient la bobine de fil sur l'axe.
3. Ouvrir l'ensemble du bras pivot en tournant l'ensemble du bras de tension vers le bas et soulever l'ensemble du bras pivot.
4. Retirer le rouleau conducteur en faisant tourner le verrouillage par rotation qui maintient le rouleau conducteur. Installer le rouleau conducteur moleté de 0,025-0,035.
5. Dérouler prudemment et étirer les six premiers pouces de fil à souder de la bobine. Ne pas lâcher l'extrémité du fil afin d'empêcher le fil de se dérouler.

FIGURE B.15



(Voir la Figure B.16)

6. Alimenter le fil au travers de la gaine interne, sur la rainure du rouleau conducteur, au travers du guide sortant et de la sortie de l'entraîneur de fil sur le côté du pistolet.
7. Fermer l'Ensemble du Bras Pivot et le serrer en refaisant tourner l'Ensemble du Bras de Tension vers le haut.

(Voir la Figure B.17)

12. Retirer le bec du pistolet et de la pointe de contact et étendre le pistolet bien à plat.
13. Allumer la puissance de la machine et appuyer sur la gâchette du pistolet pour alimenter le fil au travers de la gaine du pistolet jusqu'à ce que plusieurs pouces de fil sortent par l'extrémité filetée du pistolet. (Voir la Figure B.18).
14. Lorsque la gâchette est relâchée, la bobine de fil ne doit pas se dérouler. Régler le frein de la bobine de fil en fonction des besoins.

### ⚠ AVERTISSEMENT



**LES PIÈCES MOBILES ET LES CONTACTS ÉLECTRIQUES PEUVENT PROVOQUER DES BLESSURES OU MÊME LA MORT.**

- Lorsqu'on appuie sur la gâchette, les rouleaux conducteurs, la bobine de fil et l'électrode se trouvent SOUS ALIMENTATION ÉLECTRIQUE.



- Se tenir éloigné des pièces mobiles et des leviers.
- Maintenir toutes les Portes, Couvercles, Panneaux et Protections bien en place.

**NE PAS RETIRER NI DISSIMULER LES ÉTIQUETTES D'AVERTISSEMENT**

15. Installer la pointe de contact de 0,025.
16. Installer le bec de soudage MIG à gaz en laiton sur le pistolet.
17. Régler le dépassement du fil à 3/8" de la pointe de contact. (Voir la Figure B.19).
18. Fermer la porte latérale de la console. La machine est alors prête à souder.
19. Lire le manuel « Apprenez à Souder » (LTW1) qui est inclus avec la machine ou bien regarder le DVD « Comment Souder » qui est également inclus avec la machine.
20. En fonction de l'épaisseur du matériau à souder et du type et diamètre du fil à souder, régler la tension et la vitesse d'alimentation du fil conformément à l'étiquette autocollante de procédure qui se trouve sur la face intérieure de la porte du compartiment de l'entraîneur de fil.

FIGURE B.16

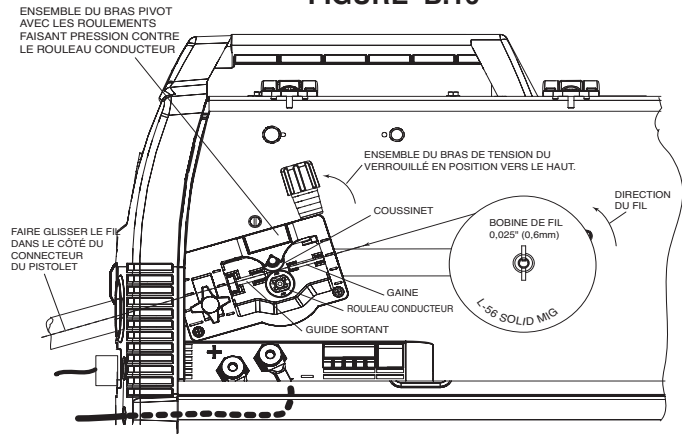


FIGURE B.17

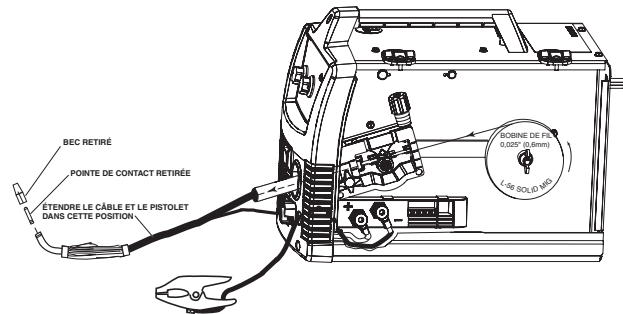


FIGURE B.18

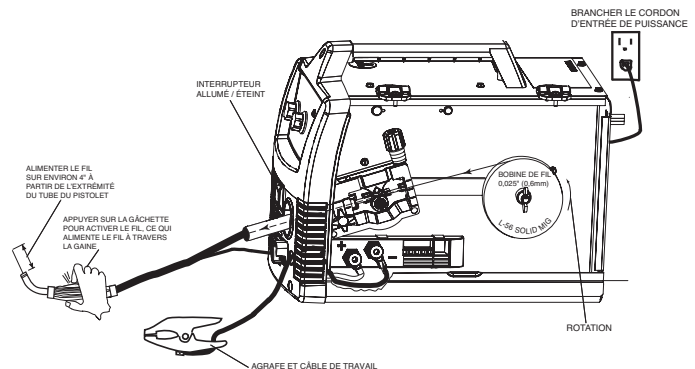
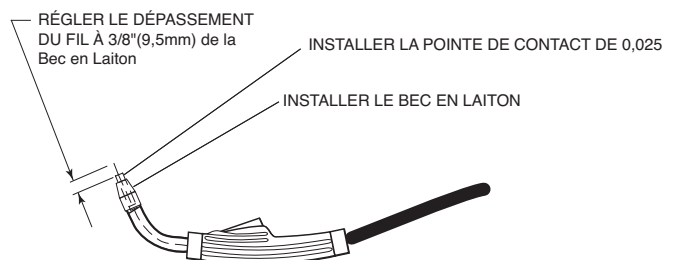


FIGURE B.19



SOUDEUSE CHARGEUR DE FIL (MODÈLES 180)

**LINCOLN**  
ELECTRIC

## PRÉPARATION ET RÉALISATION D'UNE SOUDURE EN ALUMINIUM AU MOYEN D'UN PISTOLET À BOBINE

1. Suivre les étapes du soudage MIG dans la section précédente.
2. Brancher une bouteille de gaz de protection 100% Argon conformément à la section précédente.
3. Débrancher le Pistolet Magnum 100L.
4. Installer le pistolet à bobine Magnum 100SG K2532-1 en option conformément aux instructions comprises avec le pistolet.
5. Régler le commutateur de sélection de Pistolet sur la position Pistolet à Bobine. (Voir la Figure B.20).

**FIGURE B.20**



6. Allumer la machine puis effectuer la soudure conformément aux réglages recommandés sur l'Étiquette Autocollante de Procédure se trouvant sur la face intérieure de la porte de la machine.

**K2525-1 – Kit Minuterie pour soudage par Points**

Le kit de Minuterie, lorsqu'il est allumé, permet d'établir un temps de soudage fixe de sorte que, lorsqu'on tire sur la gâchette, la machine soude pendant une période fixe de 10 secondes maximum. Idéal pour effectuer des soudures par points régulières lorsqu'on soude sur une tôle fine.

**K2528-1 – Kit Innershield 0,045 (Pour modèles de 230V)**

Comprend tout le nécessaire pour souder avec du fil Innershield de 0,045 de diamètre. Comprend une gaine de 0,035/0,045 pour pistolet Magnum™ 100L, une Pointe de Contact de 0,045, un bec pour usage sans gaz, un rouleau conducteur moleté, un guide-fil interne de 0,045 et une bobine de 10 lb. (4,5 kg) de fil Innershield® NR®-212.

**K2532-1 – Pistolet à Bobine Magnum 100SG**

Conçu pour alimenter facilement des petites bobines (1 lb.) de 4" de diamètre de fil en aluminium de 0,030 ou 0,035. Comprend un pistolet, un kit adaptateur, trois pointes de contact supplémentaires de 0,035, un bec de gaz et une bobine Superglaze 4043 de fil à souder de 0,035" de diamètre. Emballé dans un étui portable et pratique.

**K2377-1 – Petite Protection en Toile**

Protège la machine lorsqu'elle n'est pas en service. Faite en jolie toile rouge ignifuge, résistante à la rouille et hermétique. Contient une poche latérale pratique pour y ranger le pistolet à souder.



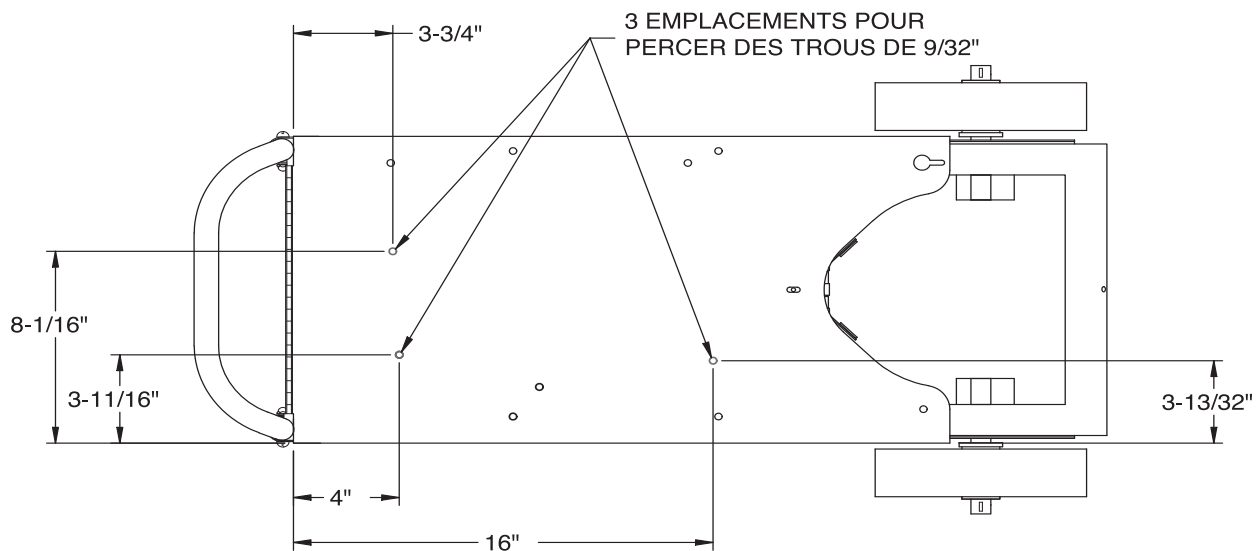
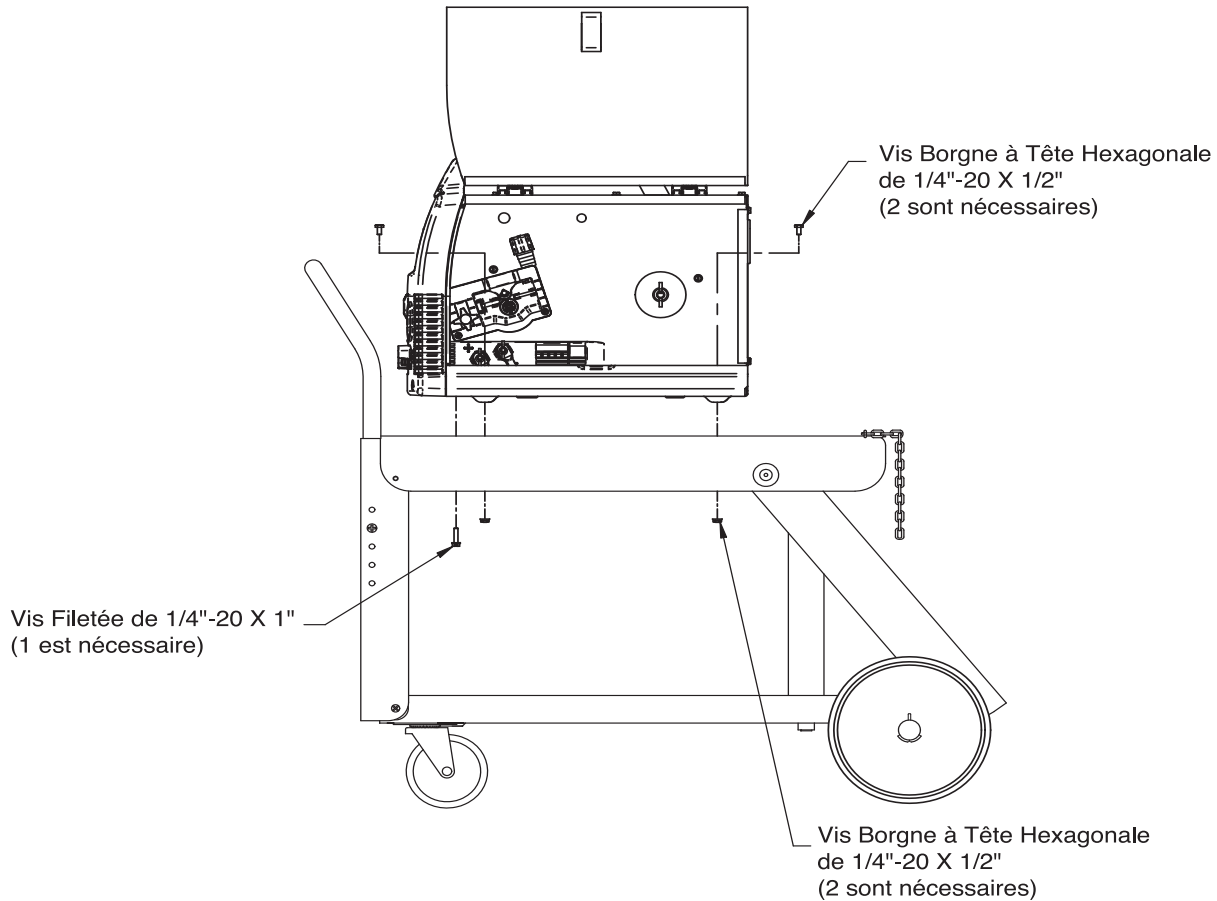
**Pour les pièces facultatives et diverses additionnelles (voir les pages de pièces)**

**K520 – Chariot à Usages Multiples**

Chariot hautement résistant pour ranger et transporter la soudeuse, un cylindre de gaz de protection de 150 pieds cubes, les câbles de soudage et les accessoires. Comprend des plateformes stables pour la soudeuse et la bouteille de gaz, un plateau inférieur pour une plus grande capacité de rangement et une poignée à hauteur réglable.



Pour le montage de soudeuses sur des chariots K520 n'ayant pas d'orifices de montage rainurés. Percer des trous de 9/32" (3 emplacements) dans le haut du chariot tel que sur l'illustration et fixer la soudeuse au chariot avec la visserie appropriée illustrée.



**SOUDEUSE CHARGEUR DE FIL (MODÈLES 180)**

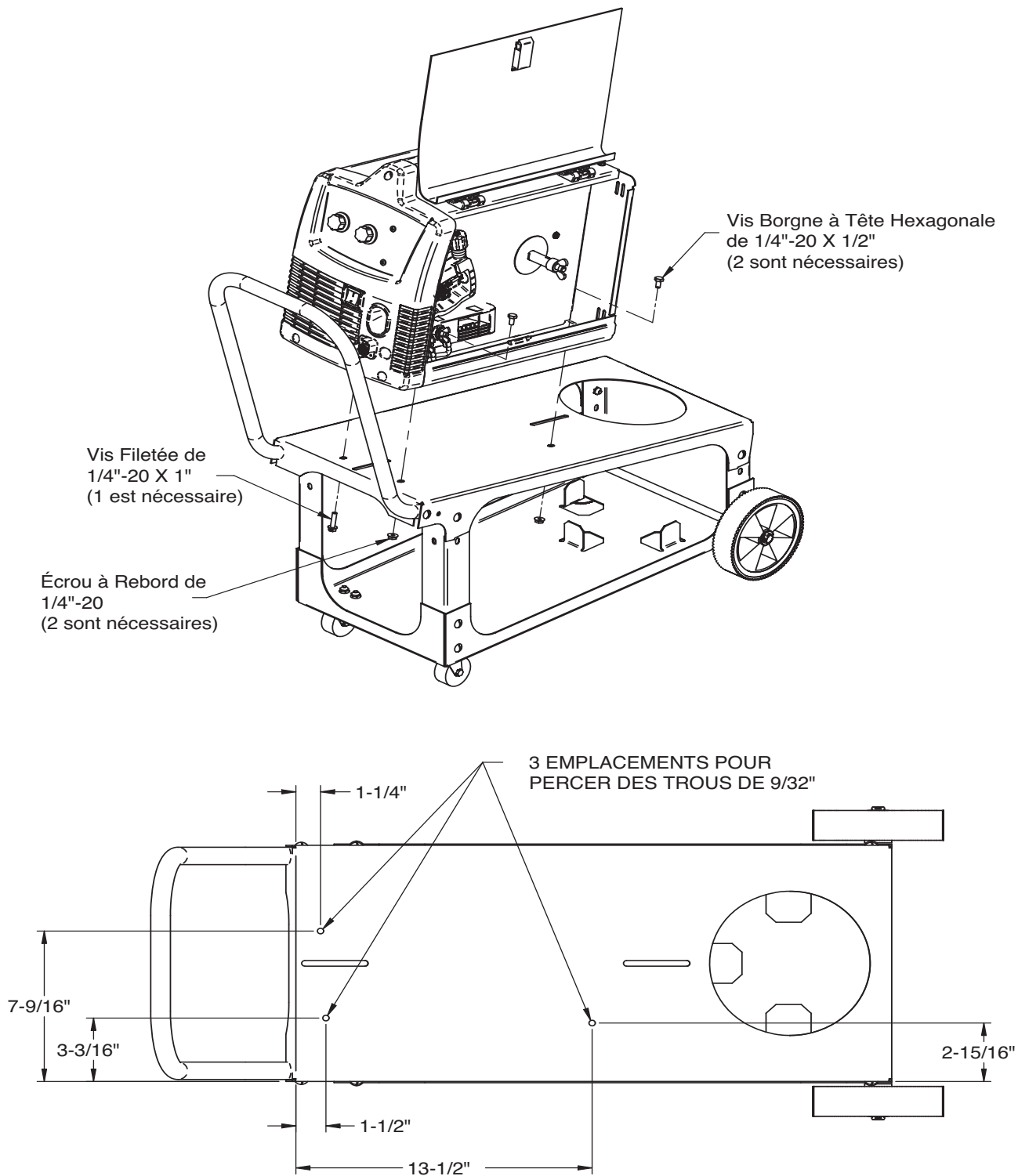


**K2275-1 – Chariot de Soudage**

Chariot léger pour ranger et transporter la soudeuse, un cylindre de gaz de protection de 80 pieds cubes, les câbles de soudage et les accessoires. Comprend une étagère supérieure inclinée permettant un accès facile aux contrôles, un plateau inférieur pour une plus grande capacité de rangement, une poignée fixe robuste et un crochet pratique pour y enrouler le câble.



Pour le montage de soudeuses sur des chariots K2275-1 n'ayant pas d'orifices de montage rainurés. Percer des trous de 9/32" (3 emplacements) dans le haut du chariot tel que sur l'illustration et fixer la soudeuse au chariot avec la visserie appropriée illustrée.



**SOUDEUSE CHARGEUR DE FIL (MODÈLES 180)**

## ENTRETIEN

### MESURES DE SÉCURITÉ

#### ⚠ AVERTISSEMENT

**LES CHOCS ÉLECTRIQUES peuvent être mortels.**



- **Débrancher la puissance d'entrée en retirant la prise du réceptacle avant de travailler à l'intérieur de SOUDEUSE CHARGEUR DE FIL (MODÈLES 180). N'utiliser que le réceptacle raccordé à terre. Ne pas toucher les pièces sous alimentation électrique à l'intérieur de SOUDEUSE CHARGEUR DE FIL (MODÈLES 180).**

- **Faire réaliser le travail d'entretien et de dépannage par le personnel qualifié.**

## ENTRETIEN DE ROUTINE

### COMPARTIMENT DE LA SOURCE DE PUISSANCE

Aucun outil d'entretien de l'utilisateur à l'intérieur ! Ne pas essayer de réaliser d'entretien du côté source de puissance (fixe) de **SOUDEUSE CHARGEUR DE FIL (MODÈLES 180)**. Emmener l'unité dans un Centre de Service Lincoln autorisé si des problèmes se présentent. AUCUN entretien n'est nécessaire.

Dans des endroits extrêmement poussiéreux, la saleté peut boucher les passages d'air, ce qui chaufferait la soudeuse en provoquant un déclenchement prématuré de la protection thermique. Dans ce cas, retirer la saleté de la soudeuse en y soufflant de l'air à faible pression à des intervalles réguliers afin d'éliminer la saleté excessive et l'accumulation de poussière dans les parties internes.

### COMPARTIMENT D'ALIMENTATION DU FIL

1. Lorsque cela est nécessaire, aspirer la saleté accumulée dans la boîte d'engrenages et la section d'alimentation du fil.
2. Inspecter de façon occasionnelle le tube du guide entrant et nettoyer l'intérieur si besoin est.
3. Le moteur et la boîte d'engrenages possèdent une lubrification à vie et n'ont besoin d'aucun entretien.

### MOTEUR DU VENTILATEUR

Possède une lubrification à vie et n'a besoin d'aucun entretien.

### AXE DU DÉVIDOIR DE FIL

N'a besoin d'aucun entretien. **Ne pas** lubrifier l'arbre.

## ENTRETIEN DU PISTOLET ET DU CÂBLE

### POUR PISTOLET MAGNUM™ 100L

#### Nettoyage du Câble du Pistolet

Nettoyer la gaine du câble après avoir utilisé environ 300 lbs (136 kg) de fil solide ou 50 lbs (23 kg) de fil fourré. Retirer le câble du chargeur de fil et l'étaler bien droit sur le sol. Retirer la pointe de contact du pistolet. Avec de l'air à faible pression, souffler doucement sur la gaine du câble depuis l'extrémité du diffuseur de gaz.

#### ⚠ ATTENTION

**Une pression excessive au début peut provoquer la formation d'un bouchon de saleté.**

Plier le câble sur toute sa longueur puis y souffler à nouveau de l'air. Répéter cette procédure jusqu'à ce qu'il ne sorte plus de saleté.

#### Pointes de Contact, Becs et Tubes de Pistolet

1. La saleté peut s'accumuler dans l'orifice de la pointe de contact et restreindre l'alimentation du fil. Après l'utilisation de chaque bobine de fil, retirer la pointe de contact et la nettoyer en poussant à plusieurs reprises un petit morceau de fil à travers la pointe. Utiliser le fil en tant qu'alésoir pour retirer la saleté qui pourrait s'être adhéree à la paroi de l'orifice à travers la pointe.
2. Changer les pointes de contact usées lorsque cela est nécessaire. Un arc variable ou « chassant » est un symptôme typique de pointe de contact usée. Pour installer une nouvelle pointe, choisir une pointe de contact de la taille correcte pour l'électrode utilisée (la taille du fil est gravée sur le côté de la pointe de contact) et bien la visser dans le diffuseur de gaz.
3. Retirer les éclaboussures de l'intérieur du bec de gaz et de la pointe toutes les 10 minutes de temps d'arc ou selon les besoins.
4. S'assurer que le bec de gaz soit complètement vissé sur le diffuseur pour les procédés protégés par le gaz. Pour le procédé Innershield®, le bec pour usage sans gaz doit se visser sur le diffuseur.
5. Pour retirer le tube du pistolet, retirer le bec de gaz ou le bec pour usage sans gaz puis retirer le diffuseur du tube du pistolet. Retirer les deux colliers de chaque extrémité de la poignée du pistolet et séparer les moitiés de la poignée. Desserrer l'écrou de verrouillage qui maintient le tube en place contre le connecteur du câble final du pistolet. Dévisser le tube du pistolet du connecteur du câble. Pour installer le tube du pistolet, visser l'écrou de verrouillage sur le tube du pistolet aussi loin que possible. Ensuite visser le tube du pistolet dans le connecteur du câble jusqu'à ce qu'il touche le bas. Puis dévisser (pas plus d'un tour) le tube du pistolet jusqu'à ce que son axe soit perpendiculaire aux côtés plats du connecteur du câble et pointe dans la direction de la gâchette. Serrer l'écrou de verrouillage de sorte à maintenir le rapport approprié entre le tube du pistolet et le connecteur du câble. Remettre en place la poignée du pistolet, la gâchette et le diffuseur. Remettre en place le bec de gaz ou le bec pour usage sans gaz.

SOUDEUSE CHARGEUR DE FIL (MODÈLES 180)





## PROTECTION CONTRE LES SURCHARGES

### Surcharge de Sortie

**SOUDEUSE CHARGEUR DE FIL (MODÈLES 180)** est équipée d'un disjoncteur et d'un thermostat qui protègent la machine contre d'éventuels dommages si la sortie maximum est dépassée. Le bouton du disjoncteur sortira lorsqu'il aura sauté. Le disjoncteur doit être rétabli à la main.

### Protection Thermique

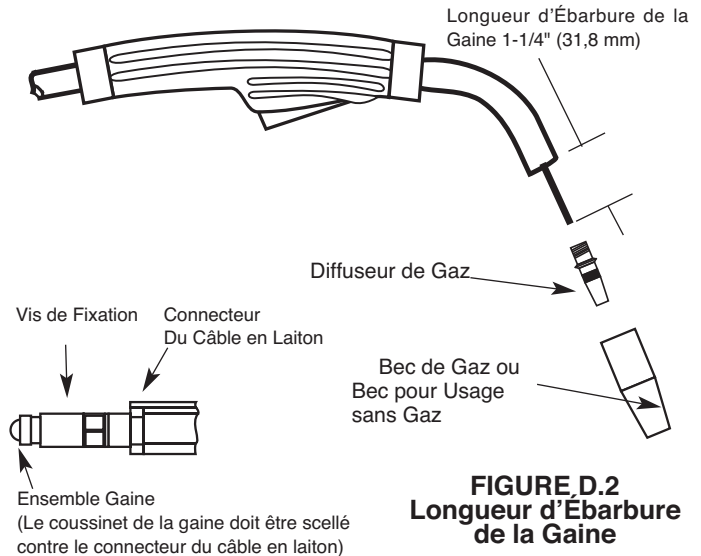
**SOUDEUSE CHARGEUR DE FIL (MODÈLES 180)** possède un facteur de marche à régime de sortie conformément à la description de la page des Spécifications Techniques. Si le facteur de marche est dépassé, un protecteur thermique fermera la sortie jusqu'à ce que la machine refroidisse à une température de fonctionnement raisonnable. Il s'agit là d'une fonction automatique de **SOUDEUSE CHARGEUR DE FIL (MODÈLES 180)** et elle ne requiert pas de l'intervention de l'utilisateur. Le ventilateur continue à marcher pendant le refroidissement.

**Protection du Moteur de l'Entraîneur de Fil Électronique SOUDEUSE CHARGEUR DE FIL (MODÈLES 180)** possède une protection intégrée contre la surcharge du moteur de l'entraîneur de fil.

## CHANGEMENT DE LA GAINÉ

**AVERTISSEMENT:** La variation des longueurs de câble empêche l'interchangeabilité des gaines. Une fois qu'une gaine a été coupée pour un pistolet particulier, elle ne doit pas être installée sur un autre pistolet à moins qu'elle ne corresponde aux exigences de longueur de coupe de la gaine. Se reporter à la Figure D.2.

1. Retirer le bec de gaz du pistolet en dévissant dans le sens contraire à celui des aiguilles d'une montre.
2. Retirer la pointe de contact présente du pistolet en dévissant dans le sens contraire à celui des aiguilles d'une montre.
3. Retirer le diffuseur de gaz du tube du pistolet en dévissant dans le sens contraire à celui des aiguilles d'une montre
4. Étendre le pistolet et le câble bien droits sur une surface plate. Desserrer la vis de fixation qui se trouve dans le connecteur en laiton sur l'extrémité du câble côté chargeur de fil. Tirer sur la gaine pour la sortir du câble.
5. Insérer une nouvelle gaine non ébarbée dans l'extrémité du câble côté connecteur. Vérifier que le coussinet de la gaine porte bien la marque appropriée pour la taille de fil utilisée.
6. Insérer complètement le coussinet de la gaine dans le connecteur. Serrer la vis de pression sur le connecteur du câble en laiton. À ce moment, le diffuseur de gaz ne doit pas être installé sur l'extrémité du tube du pistolet.
7. Avec le bec de gaz et le diffuseur retirés du tube du pistolet, s'assurer que le câble soit droit, puis ébarber la gaine à la longueur illustrée sur la Figure D.2. Retirer toute ébarbure de l'extrémité de la gaine..



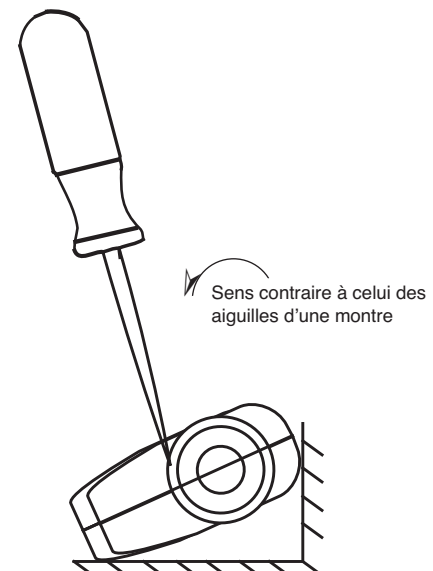
**FIGURE D.2**  
Longueur d'Ébarbure de la Gaine

8. Visser le diffuseur de gaz sur l'extrémité du tube du pistolet et bien serrer.
9. Remettre en place la pointe de contact et le bec.

## PIÈCES DE LA POIGNÉE DU PISTOLET

La poignée du pistolet consiste en deux moitiés qui sont maintenues ensemble au moyen d'un collier à chaque extrémité. Pour ouvrir la poignée, tourner les colliers sur environ 60 degrés dans le sens contraire à celui des aiguilles d'une montre jusqu'à ce que le collier bute. Puis tirer sur le collier pour le retirer de la poignée du pistolet. Si les colliers sont difficiles à tourner, positionner la poignée du pistolet contre un coin, placer un tournevis contre l'onglet du collier et donner au tournevis un coup aigu pour faire tourner le collier au-delà d'une cannelure interne de blocage. Voir la Figure D.3

**FIGURE D.3**



## COMMENT UTILISER LE GUIDE DE DÉPANNAGE

### AVERTISSEMENT

L'entretien et les réparations ne doivent être effectués que par le personnel de Lincoln Electric ayant reçu une formation en usine. Les réparations non autorisées effectuées sur ce matériel peuvent entraîner un danger pour le technicien et l'opérateur de la machine et annulent la garantie d'usine. Par mesure de sécurité et pour éviter un choc électrique, veuillez observer toutes les notes de sécurité et les mises en garde données en détail dans ce manuel.

Ce guide de dépannage a pour but de vous aider à localiser les problèmes éventuels d'installation et de fonctionnement de la machine et à y remédier. Suivre simplement la méthode en trois étapes donnée ci-après.

#### **Étape 1. LOCALISER LE PROBLÈM (SYMPTÔME).**

Regarder dans la colonne intitulée « PROBLÈMES (SYMPTÔMES) ». Cette colonne décrit les symptômes que la machine peut présenter. Chercher l'énoncé qui décrit le mieux le symptôme présenté par la machine.

#### **Étape 2. CAUSE POSSIBLE.**

La deuxième colonne, intitulée « CAUSE POSSIBLE », énonce les possibilités externes évidentes qui peuvent contribuer au symptôme présenté par la machine.

#### **Étape 3. ACTION RECOMMANDÉE.**

Cette colonne suggère une action recommandée pour une Cause Possible ; en général elle spécifie de contacter le concessionnaire autorisé de Service sur le Terrain Lincoln Electric le plus proche.

Si vous ne comprenez pas ou si vous n'êtes pas en mesure de réaliser les Actions Recommandées de façon sûre, contactez le Service sur le Terrain Lincoln autorisé le plus proche..

### ATTENTION

Si pour une raison ou une autre vous ne comprenez pas les modes opératoires d'essai ou êtes incapable d'effectuer les essais ou les réparations en toute sécurité, communiquez avant de poursuivre avec votre service après-vente local agréé Lincoln qui vous prêtera assistance.

Suivre les Instructions de Sécurité détaillées au début de ce manuel

PROBLÈMES (SYMPTÔMES)	CAUSE POSSIBLE	ACTION RECOMMANDÉE
<b>PROBLÈMES DE SORTIE</b>		
Un dommage physique ou électrique majeur est évident.	« Ne pas brancher la machine ni l'allumer ». Contacter le concessionnaire autorisé de Service sur le Terrain le plus proche.	Si toutes les zones de dérèglement possibles recommandées ont été révisées et le problème persiste, <b>contacter le concessionnaire autorisé de Service sur le Terrain Lincoln Electric le plus proche.</b>
Pas d'alimentation du fil, de sortie de soudage ou de débit de gaz lorsqu'on appuie sur la gâchette. Le ventilateur ne fonctionne PAS.	<ol style="list-style-type: none"> <li>Vérifier que la tension correcte soit appliquée à la machine.</li> <li>Vérifier que l'interrupteur de puissance se trouve sur la position « ALLUMÉ » (« ON »).</li> <li>S'assurer que le disjoncteur soit rétabli.</li> </ol>	
Pas d'alimentation du fil, de sortie de soudage ou de débit de gaz lorsqu'on appuie sur la gâchette. Le ventilateur fonctionne normalement.	<ol style="list-style-type: none"> <li>Le thermostat est peut-être déclenché du fait d'une surchauffe. Laisser la machine refroidir. Souder à un facteur de marche inférieur.</li> <li>Vérifier qu'il n'y ait pas d'obstruction dans le passage de l'air. Vérifier les connexions de la gâchette du pistolet. Voir la section d'Installation.</li> <li>La gâchette du pistolet est peut-être défectueuse.</li> </ol>	

PROBLÈMES (SYMPTÔMES)	CAUSE POSSIBLE	ACTION RECOMMANDÉE
<b>PROBLÈMES D'ALIMENTATION</b>		
Pas d'alimentation du fil lorsqu'on appuie sur la gâchette. Le ventilateur marche, le gaz circule et la machine a une tension de circuit ouvert correcte (33V) – sortie de soudage..	<ol style="list-style-type: none"> <li>Si le moteur de l'entraîneur de fil marche, s'assurer que les rouleaux conducteurs corrects soient installés sur la machine.</li> <li>Vérifier que la gaine du câble et la pointe de contact ne soient pas bouchées.</li> <li>Vérifier que la gaine du câble et la pointe de contact soient de la bonne taille.</li> </ol>	Si toutes les zones de dérèglement possibles recommandées ont été révisées et le problème persiste, <b>contacter le concessionnaire autorisé de Service sur le Terrain Lincoln Electric le plus proche.</b>

### ATTENTION

Si pour une raison quelconque vous ne comprenez pas les procédures de tests ou si vous n'êtes pas en mesure de réaliser les tests/réparations de façon sûre, avant de continuer, contactez le **Service sur le Terrain Lincoln Autorisé le plus proche** pour obtenir une assistance technique de dépannage.

**SOUDEUSE CHARGEUR DE FIL (MODÈLES 180)**



Suivre les Instructions de Sécurité détaillées au début de ce manuel

PROBLÈMES (SYMPTÔMES)	CAUSE POSSIBLE	ACTION RECOMMANDÉE
<b>PROBLÈMES DE DÉBIT DE GAZ</b>		
Peu ou pas de débit de gaz lorsqu'on tire sur la gâchette. L'alimentation du fil, la sortie de soudage et le ventilateur fonctionnent normalement.	<ol style="list-style-type: none"> <li>Vérifier l'alimentation du gaz, le régulateur de flux et les tuyaux à gaz.</li> <li>Vérifier que la connexion du pistolet sur la machine ne présente pas d'obstruction ou de fuites au niveau des joints.</li> </ol>	Si toutes les zones de dérèglement possibles recommandées ont été révisées et le problème persiste, <b>contacter le concessionnaire autorisé de Service sur le Terrain Lincoln Electric le plus proche.</b>

PROBLÈMES (SYMPTÔMES)	CAUSE POSSIBLE	ACTION RECOMMANDÉE
<b>PROBLÈMES DE SOUDAGE</b>		
L'arc est instable – démarrage faible.	<ol style="list-style-type: none"> <li>Vérifier que la tension d'entrée de la machine soit correcte.</li> <li>Vérifier que la polarité de l'électrode soit appropriée pour le procédé.</li> <li>Vérifier que la pointe du pistolet ne soit pas usée ou endommagée et qu'elle soit de la bonne taille – La changer.</li> <li>Vérifier que le flux et le débit de gaz soit appropriés pour le procédé. (Uniquement pour MIG).</li> <li>Vérifier que le câble de travail ne présente pas de connexions desserrées ou défectueuses.</li> <li>Vérifier que le pistolet ne présente pas de dommages ou de fissures.</li> <li>Vérifier que l'orientation et l'alignement des rouleaux conducteurs soient appropriés.</li> <li>Vérifier que la gaine soit de la bonne taille.</li> </ol>	Si toutes les zones de dérèglement possibles recommandées ont été révisées et le problème persiste, <b>contacter le concessionnaire autorisé de Service sur le Terrain Lincoln Electric le plus proche.</b>

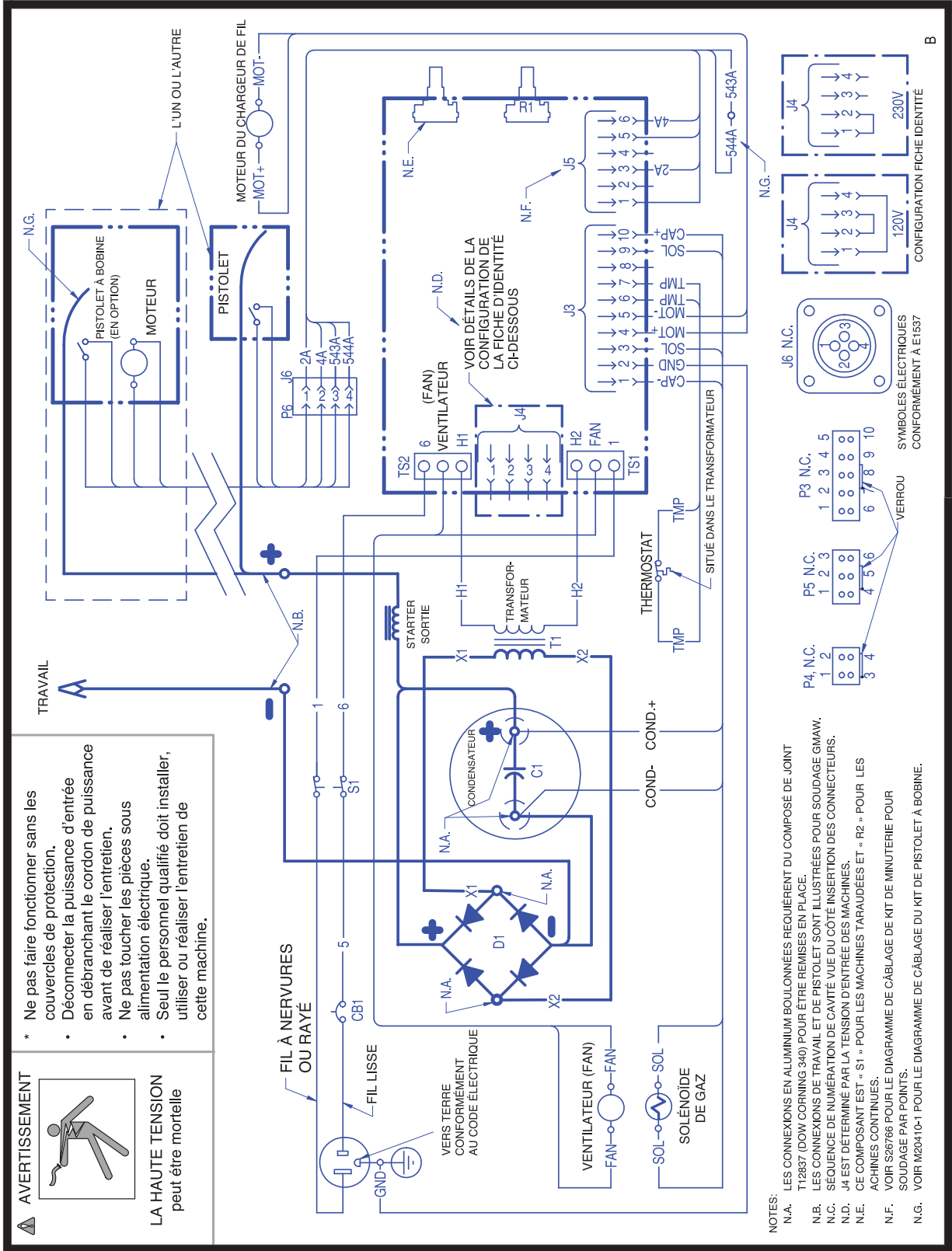
**⚠ ATTENTION**

Si pour une raison quelconque vous ne comprenez pas les procédures de tests ou si vous n'êtes pas en mesure de réaliser les tests/réparations de façon sûre, avant de continuer, contactez le **Service sur le Terrain Lincoln Autorisé le plus proche** pour obtenir une assistance technique de dépannage.

**SOUDEUSE CHARGEUR DE FIL (MODÈLES 180)**



# DIAGRAMME DE CÂBLAGE

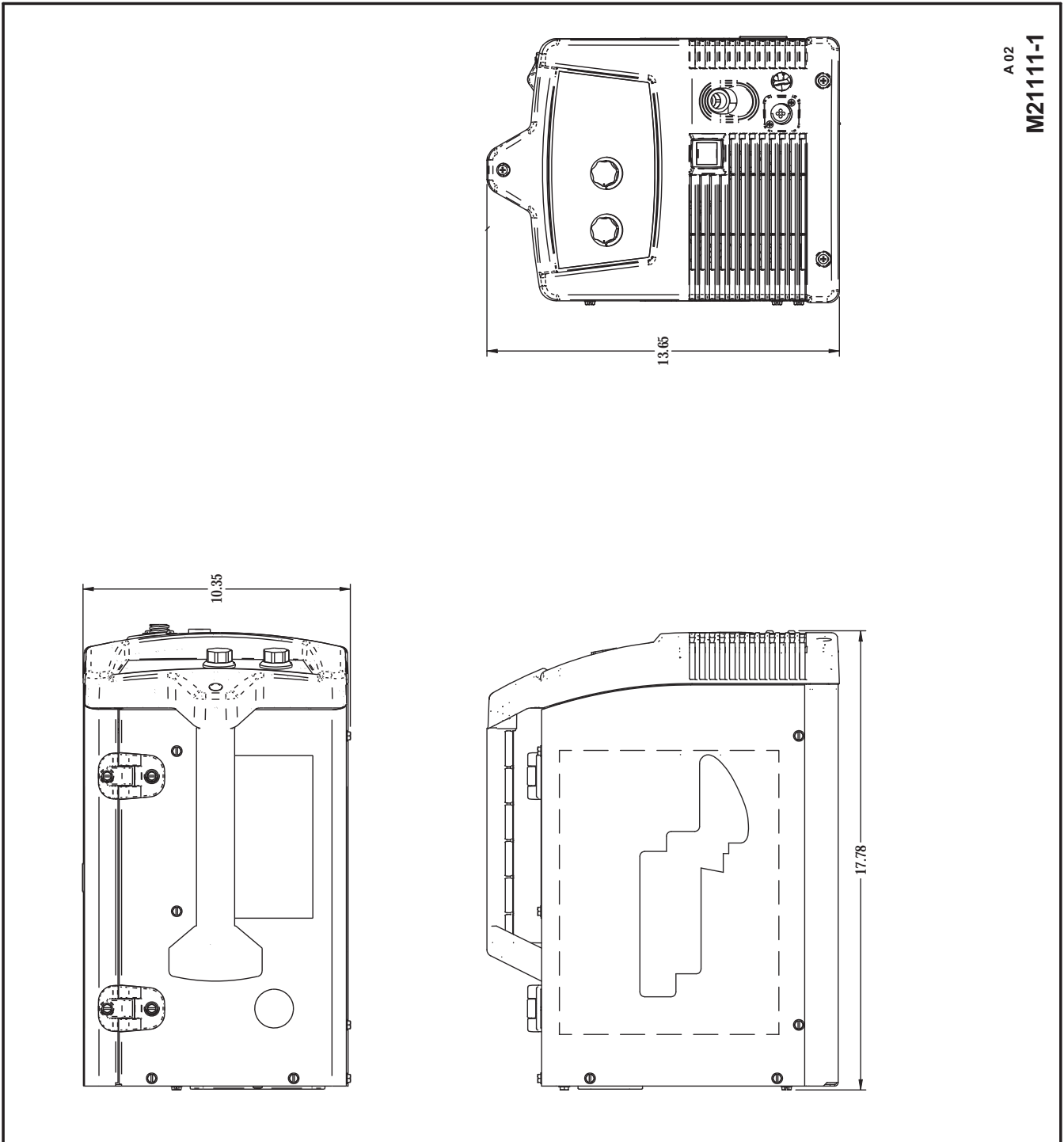


M20410

NOTE: Ce diagramme a valeur de référence uniquement. Il peut ne pas être exact pour toutes les machines couvertes par ce manuel. Le diagramme spécifique pour un code particulier est collé à l'intérieur de la machine sur l'un des panneaux de la console.

SOUDEUSE CHARGEUR DE FIL (MODÈLES 180)





SOUDEUSE CHARGEUR DE FIL (MODÈLES 180)



<b>WARNING</b>	<ul style="list-style-type: none"> <li>● Do not touch electrically live parts or electrode with skin or wet clothing.</li> <li>● Insulate yourself from work and ground.</li> </ul>	<ul style="list-style-type: none"> <li>● Keep flammable materials away.</li> </ul>	<ul style="list-style-type: none"> <li>● Wear eye, ear and body protection.</li> </ul>
Spanish <b>AVISO DE PRECAUCION</b>	<ul style="list-style-type: none"> <li>● No toque las partes o los electrodos bajo carga con la piel o ropa mojada.</li> <li>● Aíslese del trabajo y de la tierra.</li> </ul>	<ul style="list-style-type: none"> <li>● Mantenga el material combustible fuera del área de trabajo.</li> </ul>	<ul style="list-style-type: none"> <li>● Protéjase los ojos, los oídos y el cuerpo.</li> </ul>
French <b>ATTENTION</b>	<ul style="list-style-type: none"> <li>● Ne laissez ni la peau ni des vêtements mouillés entrer en contact avec des pièces sous tension.</li> <li>● Isolez-vous du travail et de la terre.</li> </ul>	<ul style="list-style-type: none"> <li>● Gardez à l'écart de tout matériel inflammable.</li> </ul>	<ul style="list-style-type: none"> <li>● Protégez vos yeux, vos oreilles et votre corps.</li> </ul>
German <b>WARNUNG</b>	<ul style="list-style-type: none"> <li>● Berühren Sie keine stromführenden Teile oder Elektroden mit Ihrem Körper oder feuchter Kleidung!</li> <li>● Isolieren Sie sich von den Elektroden und dem Erdboden!</li> </ul>	<ul style="list-style-type: none"> <li>● Entfernen Sie brennbares Material!</li> </ul>	<ul style="list-style-type: none"> <li>● Tragen Sie Augen-, Ohren- und Körperschutz!</li> </ul>
Portuguese <b>ATENÇÃO</b>	<ul style="list-style-type: none"> <li>● Não toque partes elétricas e electrodos com a pele ou roupa molhada.</li> <li>● Isole-se da peça e terra.</li> </ul>	<ul style="list-style-type: none"> <li>● Mantenha inflamáveis bem guardados.</li> </ul>	<ul style="list-style-type: none"> <li>● Use proteção para a vista, ouvido e corpo.</li> </ul>
Japanese <b>注意事項</b>	<ul style="list-style-type: none"> <li>● 通電中の電気部品、又は溶材にヒブやぬれた布で触れないこと。</li> <li>● 施工物やアースから身体が絶縁されている様にして下さい。</li> </ul>	<ul style="list-style-type: none"> <li>● 燃えやすいものの側での溶接作業は絶対にしてはなりません。</li> </ul>	<ul style="list-style-type: none"> <li>● 目、耳及び身体に保護具をして下さい。</li> </ul>
Chinese <b>警告</b>	<ul style="list-style-type: none"> <li>● 皮肤或湿衣物切勿接触带电部件及焊缝。</li> <li>● 使你自己与地面和工件绝缘。</li> </ul>	<ul style="list-style-type: none"> <li>● 把一切易燃物品移离工作场所。</li> </ul>	<ul style="list-style-type: none"> <li>● 佩戴眼、耳及身体劳动保护用具。</li> </ul>
Korean <b>위험</b>	<ul style="list-style-type: none"> <li>● 전도체나 용접봉을 젖은 헝겍 또는 피부로 절대 접촉치 마십시오.</li> <li>● 모재와 접지를 접촉치 마십시오.</li> </ul>	<ul style="list-style-type: none"> <li>● 인화성 물질을 접근시키지 마십시오.</li> </ul>	<ul style="list-style-type: none"> <li>● 눈, 귀와 몸에 보호장구를 착용하십시오.</li> </ul>
Arabic <b>تحذير</b>	<ul style="list-style-type: none"> <li>● لا تلمس الاجزاء التي يسري فيها التيار الكهربائي أو الألكترود بجك الجسم أو بالملابس المبللة بالماء.</li> <li>● ضع عازلا على جسمك خلال العمل.</li> </ul>	<ul style="list-style-type: none"> <li>● ضع المواد القابلة للاشتعال في مكان بعيد.</li> </ul>	<ul style="list-style-type: none"> <li>● ضع أدوات وملابس واقية على عينيك وأذنيك وجسمك.</li> </ul>

**READ AND UNDERSTAND THE MANUFACTURER'S INSTRUCTION FOR THIS EQUIPMENT AND THE CONSUMABLES TO BE USED AND FOLLOW YOUR EMPLOYER'S SAFETY PRACTICES.**

**SE RECOMIENDA LEER Y ENTENDER LAS INSTRUCCIONES DEL FABRICANTE PARA EL USO DE ESTE EQUIPO Y LOS CONSUMIBLES QUE VA A UTILIZAR, SIGA LAS MEDIDAS DE SEGURIDAD DE SU SUPERVISOR.**

**LISEZ ET COMPRENEZ LES INSTRUCTIONS DU FABRICANT EN CE QUI REGARDE CET EQUIPMENT ET LES PRODUITS A ETRE EMPLOYES ET SUIVEZ LES PROCEDURES DE SECURITE DE VOTRE EMPLOYEUR.**

**LESEN SIE UND BEFOLGEN SIE DIE BETRIEBSANLEITUNG DER ANLAGE UND DEN ELEKTRODENEINSATZ DES HERSTELLERS. DIE UNFALLVERHÜTUNGSVORSCHRIFTEN DES ARBEITGEBERS SIND EBENFALLS ZU BEACHTEN.**

			
<ul style="list-style-type: none"> <li>● Keep your head out of fumes.</li> <li>● Use ventilation or exhaust to remove fumes from breathing zone.</li> </ul>	<ul style="list-style-type: none"> <li>● Turn power off before servicing.</li> </ul>	<ul style="list-style-type: none"> <li>● Do not operate with panel open or guards off.</li> </ul>	<b>WARNING</b>
<ul style="list-style-type: none"> <li>● Los humos fuera de la zona de respiración.</li> <li>● Mantenga la cabeza fuera de los humos. Utilice ventilación o aspiración para gases.</li> </ul>	<ul style="list-style-type: none"> <li>● Desconectar el cable de alimentación de poder de la máquina antes de iniciar cualquier servicio.</li> </ul>	<ul style="list-style-type: none"> <li>● No operar con panel abierto o guardas quitadas.</li> </ul>	Spanish <b>AVISO DE PRECAUCION</b>
<ul style="list-style-type: none"> <li>● Gardez la tête à l'écart des fumées.</li> <li>● Utilisez un ventilateur ou un aspirateur pour ôter les fumées des zones de travail.</li> </ul>	<ul style="list-style-type: none"> <li>● Débranchez le courant avant l'entretien.</li> </ul>	<ul style="list-style-type: none"> <li>● N'opérez pas avec les panneaux ouverts ou avec les dispositifs de protection enlevés.</li> </ul>	French <b>ATTENTION</b>
<ul style="list-style-type: none"> <li>● Vermeiden Sie das Einatmen von Schweißrauch!</li> <li>● Sorgen Sie für gute Be- und Entlüftung des Arbeitsplatzes!</li> </ul>	<ul style="list-style-type: none"> <li>● Strom vor Wartungsarbeiten abschalten! (Netzstrom völlig öffnen; Maschine anhalten!)</li> </ul>	<ul style="list-style-type: none"> <li>● Anlage nie ohne Schutzgehäuse oder Innenschutzverkleidung in Betrieb setzen!</li> </ul>	German <b>WARNUNG</b>
<ul style="list-style-type: none"> <li>● Mantenha seu rosto da fumaça.</li> <li>● Use ventilação e exaustão para remover fumo da zona respiratória.</li> </ul>	<ul style="list-style-type: none"> <li>● Não opere com as tampas removidas.</li> <li>● Desligue a corrente antes de fazer serviço.</li> <li>● Não toque as partes elétricas nuas.</li> </ul>	<ul style="list-style-type: none"> <li>● Mantenha-se afastado das partes moventes.</li> <li>● Não opere com os painéis abertos ou guardas removidas.</li> </ul>	Portuguese <b>ATENÇÃO</b>
<ul style="list-style-type: none"> <li>● ヒュームから頭を離すようにして下さい。</li> <li>● 換気や排煙に十分留意して下さい。</li> </ul>	<ul style="list-style-type: none"> <li>● メンテナンス・サービスに取りかかる際には、まず電源スイッチを必ず切ってください。</li> </ul>	<ul style="list-style-type: none"> <li>● パネルやカバーを取り外したまま機械操作をしないで下さい。</li> </ul>	Japanese <b>注意事項</b>
<ul style="list-style-type: none"> <li>● 頭部遠離煙霧。</li> <li>● 在呼吸區使用通風或排風器除煙。</li> </ul>	<ul style="list-style-type: none"> <li>● 維修前切斷電源。</li> </ul>	<ul style="list-style-type: none"> <li>● 儀表板打開或沒有安全罩時不準作業。</li> </ul>	Chinese <b>警告</b>
<ul style="list-style-type: none"> <li>● 얼굴로부터 용접가스를 멀리하십시오.</li> <li>● 호흡지역으로부터 용접가스를 제거하기 위해 가스제거기나 통풍기를 사용하십시오.</li> </ul>	<ul style="list-style-type: none"> <li>● 보수전에 전원을 차단하십시오.</li> </ul>	<ul style="list-style-type: none"> <li>● 관널이 열린 상태로 작동치 마십시오.</li> </ul>	Korean <b>위험</b>
<ul style="list-style-type: none"> <li>● ابعء رأسك بعيداً عن الدخان.</li> <li>● استعمل التهوية أو جهاز ضغط الدخان للخارج لكي تبعد الدخان عن المنطقة التي تتنفس فيها.</li> </ul>	<ul style="list-style-type: none"> <li>● اقطع التيار الكهربائي قبل القيام بأية صيانة.</li> </ul>	<ul style="list-style-type: none"> <li>● لا تشغيل هذا الجهاز اذا كانت الاعطية الحديدية الواقية ليست عليه.</li> </ul>	Arabic <b>تحذير</b>

**LEIA E COMPREENDA AS INSTRUÇÕES DO FABRICANTE PARA ESTE EQUIPAMENTO E AS PARTES DE USO, E SIGA AS PRÁTICAS DE SEGURANÇA DO EMPREGADOR.**

使う機械や溶材のメーカーの指示書をよく読み、まず理解して下さい。そして貴社の安全規定に従って下さい。

請詳細閱讀並理解製造廠提供的說明以及應該使用的銀焊材料，並請遵守貴方的有閣勞動保護規定。

이 제품에 동봉된 작업지침서를 숙지하시고 귀사의 작업자 안전수칙을 준수하시기 바랍니다.

اقرأ بتمعن وأفهم تعليمات المصنع المنتج لهذه المعدات والمواد قبل استعمالها واتبع تعليمات الوقاية لصاحب العمل.





• World's Leader in Welding and Cutting Products •

• Sales and Service through Subsidiaries and Distributors Worldwide •

Cleveland, Ohio 44117-1199 U.S.A. TEL: 216.481.8100 FAX: 216.486.1751 WEB SITE: [www.lincolnelectric.com](http://www.lincolnelectric.com)