

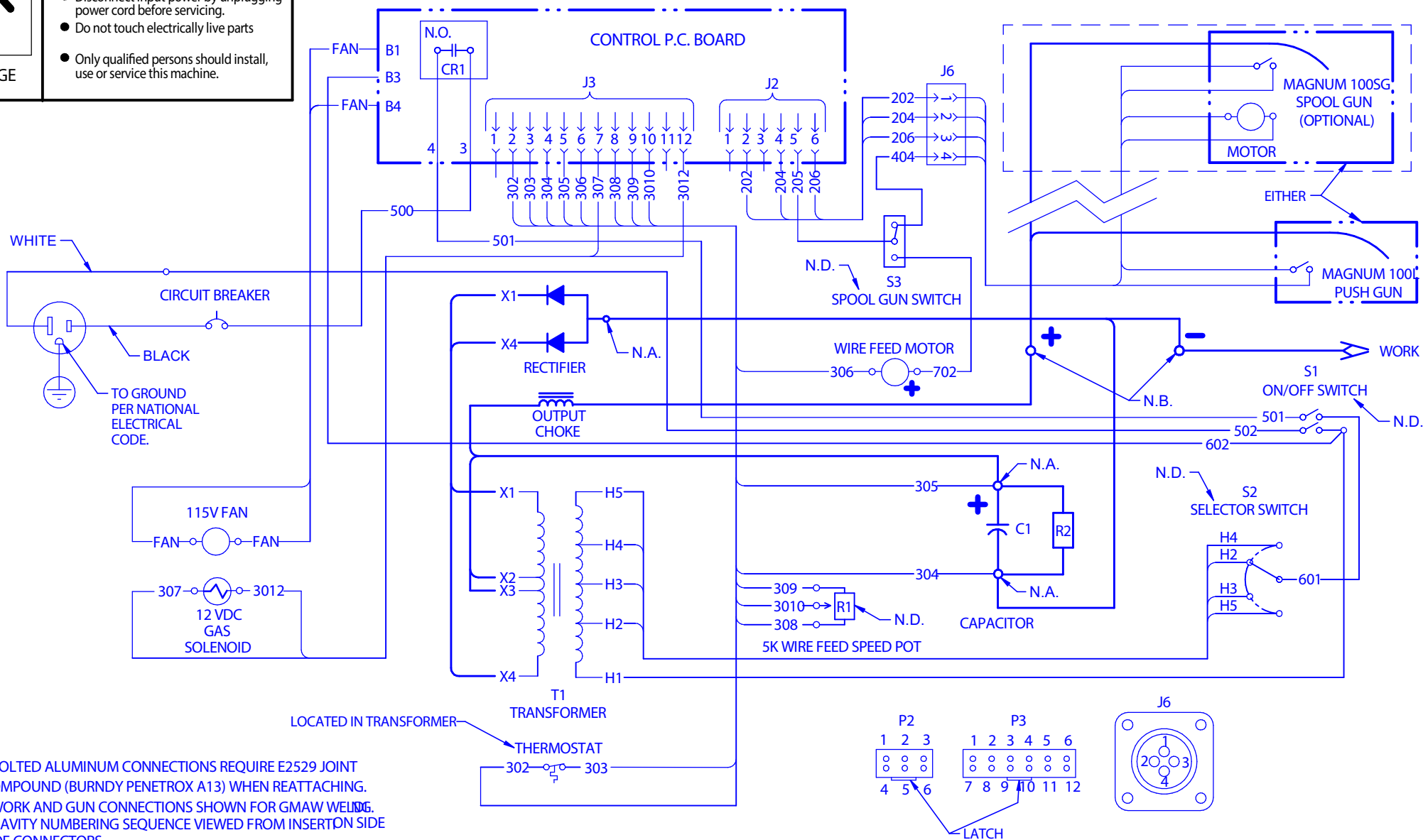
SMALL WIRE FEEDER WELDERS 140A WIRING DIAGRAM M22477 REV: A



WARNING

**HIGH VOLTAGE
can kill**

- Do not operate with covers removed.
- Disconnect input power by unplugging power cord before servicing.
- Do not touch electrically live parts
- Only qualified persons should install, use or service this machine.



- NOTES:**
- N.A. BOLTED ALUMINUM CONNECTIONS REQUIRE E2529 JOINT COMPOUND (BURNDY PENETROX A13) WHEN REATTACHING.
 - N.B. WORK AND GUN CONNECTIONS SHOWN FOR GMAW WELDING.
 - N.C. CAVITY NUMBERING SEQUENCE VIEWED FROM INSERTION SIDE OF CONNECTORS.
 - N.D. COMPONENT VIEWED FROM REAR.



CLEVELAND, OHIO U.S.A.