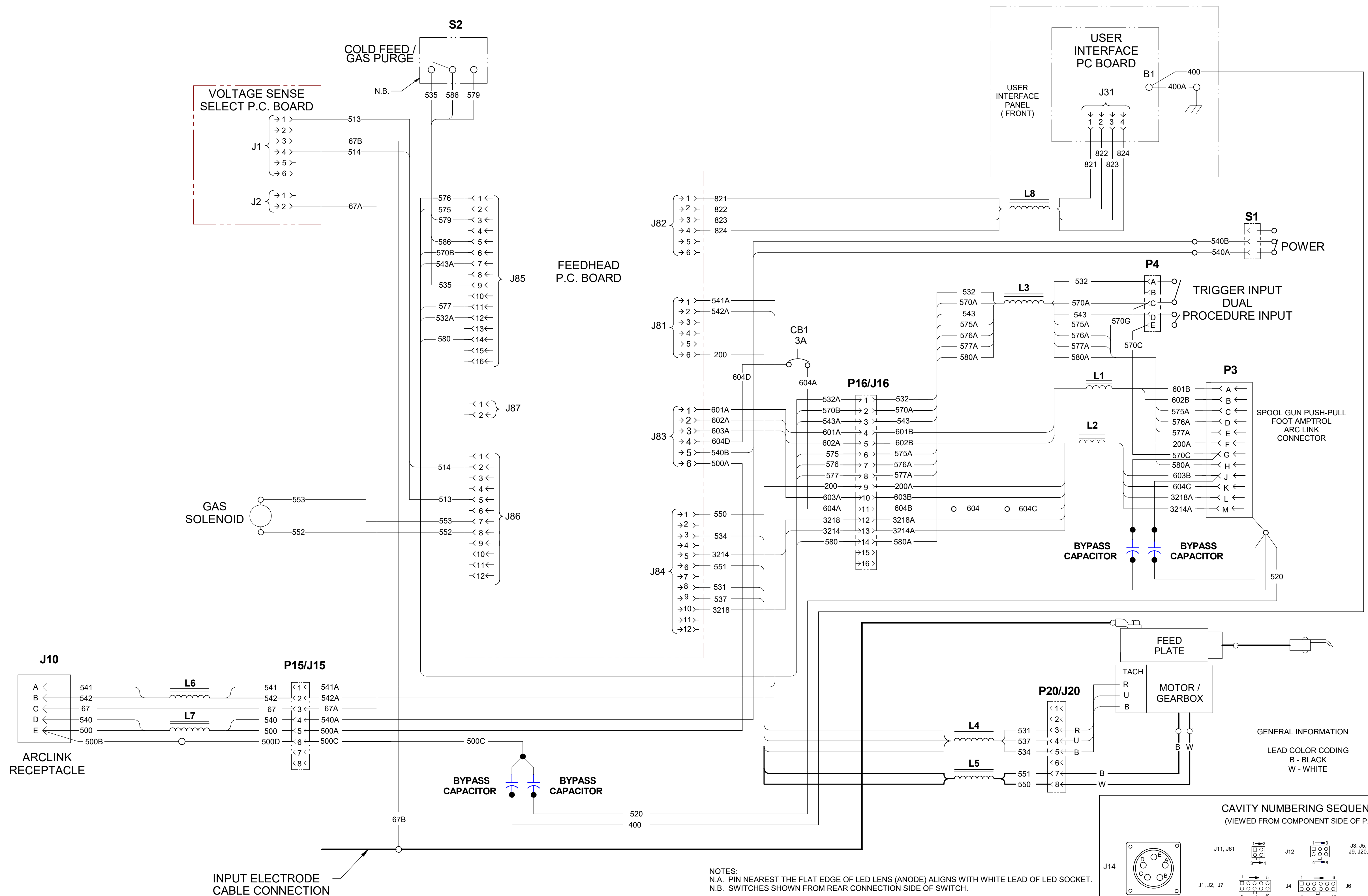


# POWER FEED 8 WIRING DIAGRAM G8077 REV: B

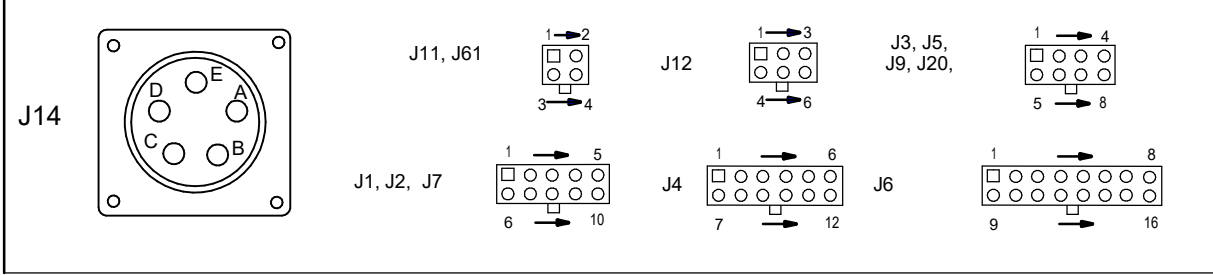
REAR OF MACHINE

FRONT OF MACHINE



NOTES:  
 N.A. PIN NEAREST THE FLAT EDGE OF LED LENS (ANODE) ALIGNS WITH WHITE LEAD OF LED SOCKET.  
 N.B. SWITCHES SHOWN FROM REAR CONNECTION SIDE OF SWITCH.

CAVITY NUMBERING SEQUENCE  
 (VIEWED FROM COMPONENT SIDE OF P.C. BOARD)



GENERAL INFORMATION  
 LEAD COLOR CODING  
 B - BLACK  
 W - WHITE