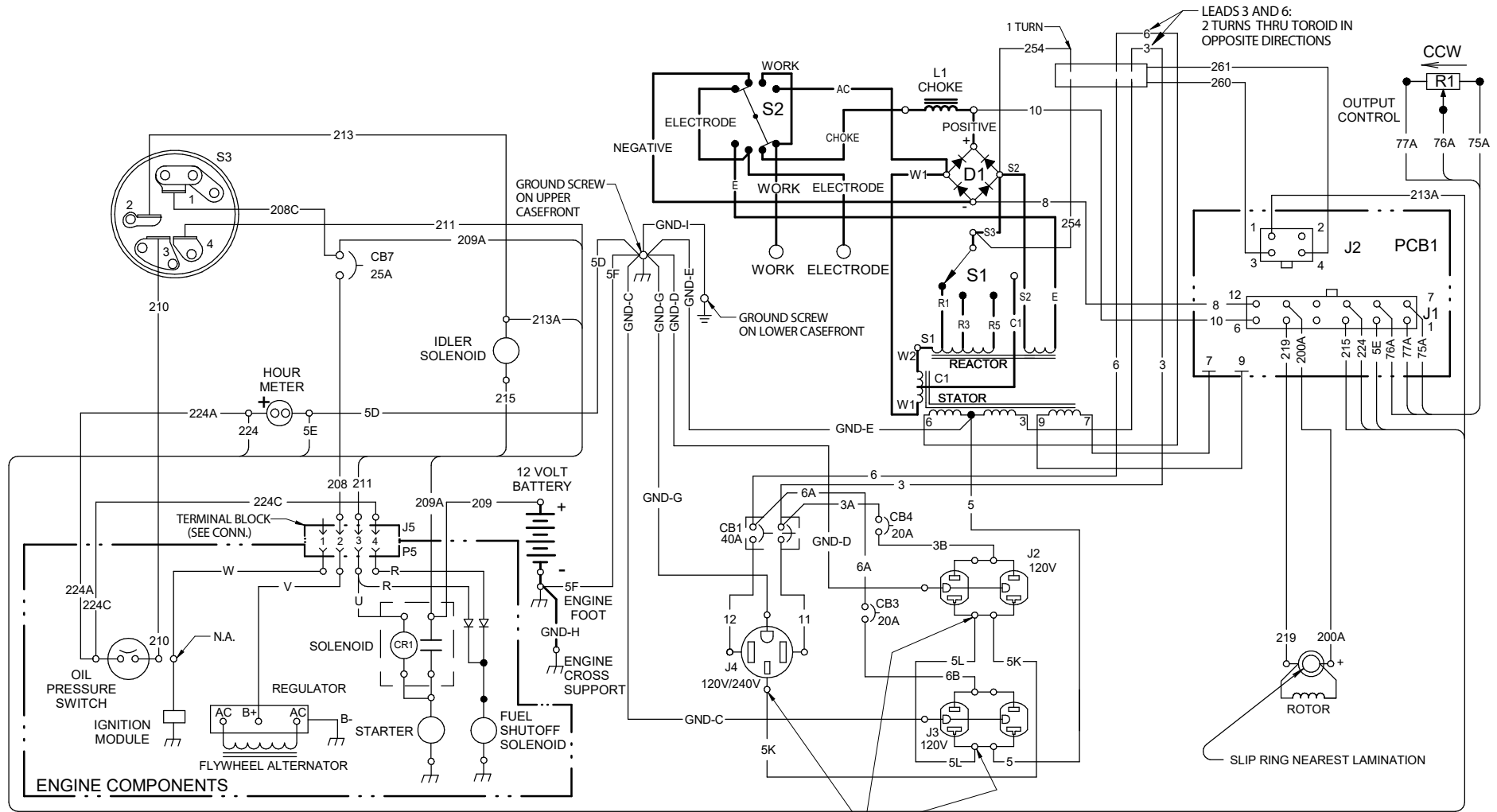
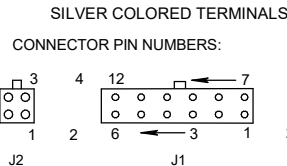


# RANGER 10,000 PLUS & WELDMARK WIRING DIAGRAM M21270 REV: C



N.A. GROUNDING THIS TERMINAL STOPS THE ENGINE.

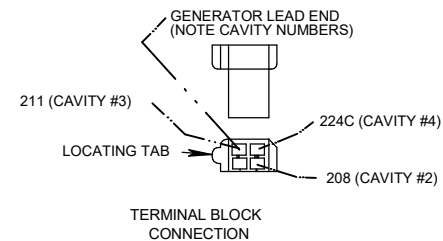
**LEAD COLOR CODE:**  
 B = BLACK OR GRAY    U = BLUE  
 R = RED OR PINK    V = VIOLET  
 W = WHITE



**S3 OPERATION**

	1	2	3	4
OFF				
AUTO	X	X	X	
HIGH	X		X	
START	X		X	X

X = CLOSED CIRCUIT



ALL CASE FRONT COMPONENTS SHOWN VIEWED FROM REAR.



CLEVELAND, OHIO U.S.A.