

LASER-PAK XL

LASER SYSTEMS



Render is for reference only

LASER-PAK XL LASER SYSTEM

The Laser-Pak XL robotic laser system is a large-format, high-production universal laser processing cell. It comes standard with an H-frame indexing positioner with ANNEX™ headstock/tailstock robotic positioners in each zone to help optimize part reach and join placement. This highly versatile system is complete with a Class 1 laser enclosure, multiple robot and laser process options, and crane access.

SYSTEM INCLUDES

- CDRH Class 1 Laser-Safe Enclosure
- Lincoln Electric® Precision Power Laser™ package
 - Includes both Hot Wire Laser and Hybrid Laser processing capabilities
- FANUC® M710/50 robot on Annex™ arc welding robot transfer unit
- H-Frame style weld positioner
- Single-point disconnect panel - single arm
- Application based, customizable cell features

IDEAL APPLICATIONS

- Laser Welding and Joining and Cutting
 - Precision Power Laser™ (PPL™)
 - Hybrid Laser Arc Welding (HLAW)

BENEFITS

- Largest work envelope in the Laser-Pak product line
- Highly flexible laser processing
- Helps increase efficiency with the ability to weld and load parts at the same time
- Capable of all common laser cutting and joining processes

INDUSTRIES

- General Industry
- Agriculture
- Energy
- Heavy Fabrication
- Automotive/Transportation

CONTACT LINCOLN ELECTRIC AUTOMATION - CLEVELAND



22221 St. Clair Ave
Euclid, OH 44117



+1 [216] 481-8100

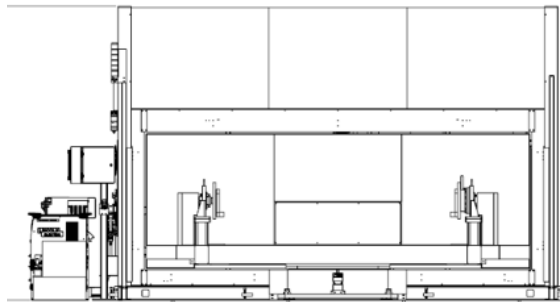
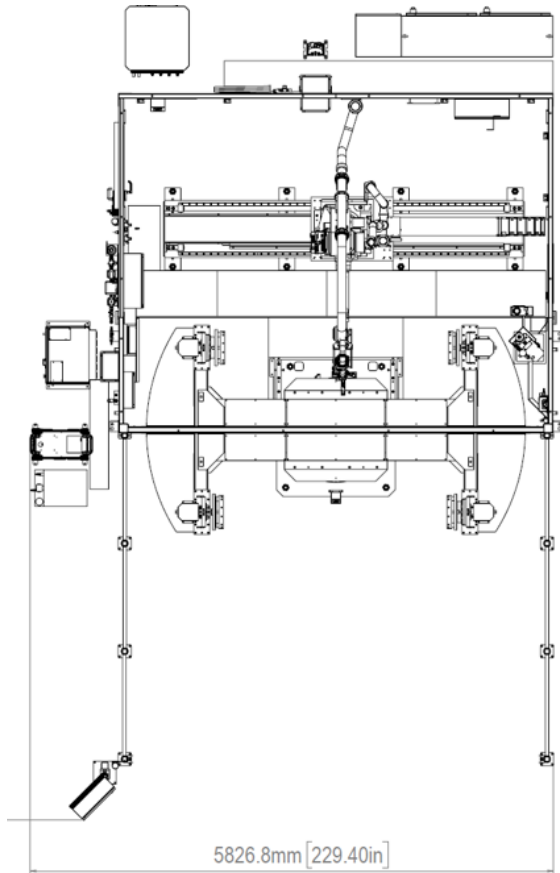


lasersolutions@lincolnelectric.com



lincolnelectric.com

PRODUCT DIAGRAM



LINCOLN ELECTRIC PRECISION POWER LASER PACKAGE

The Laser-Pak XL cell is equipped with the Lincoln Electric Power Wave® R450 with Precision Power Laser waveform. This package is capable of providing the most preheat possible into a consumable before it enters the laser puddle. A closed-loop, arc-suppression routine helps process stability and maximize deposition rate. This single-point control offers accurate control of intermetallic dilution, helping to provide a higher-quality deposit than other controls.

SINGLE-POINT DISCONNECT PANEL - SINGLE ARM

480 Volt 3-phase 100A disconnect panel capable of supplying power to all the equipment:

- Robot controller
- Laser controller
- Laser chiller
- Environmental gear (If purchased)

This panel greatly simplifies connection of power to the robotic system at the end-user facility. It requires a single power drop splitting the connection to each individual piece of equipment. The panel is constructed per NFPA-70 (NEC) Article 409 and is lockout/tagout (LOTO) ready.

PROVIDED LASER CUSTOMIZATIONS

Experts working in Lincoln Electric's Solutions Group will provide a custom, tailored solution based on desired applications for the following components:

- Processing Head
- Laser Power Supply
- Laser-Focusing Optics

PRODUCT SPECIFICATIONS

Product Name	Product Number	System Dimensions LxWxH in. (mm)	System Weight lb. (kg)	Sweep in. (mm)	Span in. (mm)	Capacity per side lb. (kg)
Laser-Pak XL	AD2493-7	229.5 x 358.5 x 127 [5,825 x 9,100 x 3,230]	25,000 [11,340]	40 [1,000]	118 [3,000]	3,307 [1,500]

CUSTOMER ASSISTANCE POLICY

The business of Lincoln Electric is manufacturing and selling high quality welding equipment, automated welding systems, consumables, and cutting equipment. Our challenge is to meet the needs of our customers, who are experts in their fields, and to exceed their expectations. On occasion, purchasers may ask Lincoln Electric for information or technical information about their use of our products. Our employees respond to inquiries to the best of their ability based on information and specifications provided to them by the customers and the knowledge they may have concerning the application. Our employees, however, are not in a position to verify the information provided or to evaluate the engineering requirements for the particular weldment, or to provide engineering advice in relation to a specific situation or application. Accordingly, Lincoln Electric does not warrant or guarantee or assume any liability with respect to such information or communications. Moreover, the provision of such information or technical information does not create, expand, or alter any warranty on our products. Any express or implied warranty that might arise from the information or technical information, including any implied warranty of merchantability or any warranty of fitness for any customers' particular purpose or any other equivalent or similar warranty is specifically disclaimed.

Lincoln Electric is a responsive manufacturer, but the definition of specifications, and the selection and use of specific products sold by Lincoln Electric is solely within the control of, and remains the sole responsibility of the customer. Many variables beyond the control of Lincoln Electric affect the results obtained in applying these types of fabrication methods and service requirements.

THE LINCOLN ELECTRIC COMPANY
22801 Saint Clair Avenue · Cleveland, OH · 44117 · U.S.A.
Phone: +1 216.481.8100 · www.lincolnelectric.com