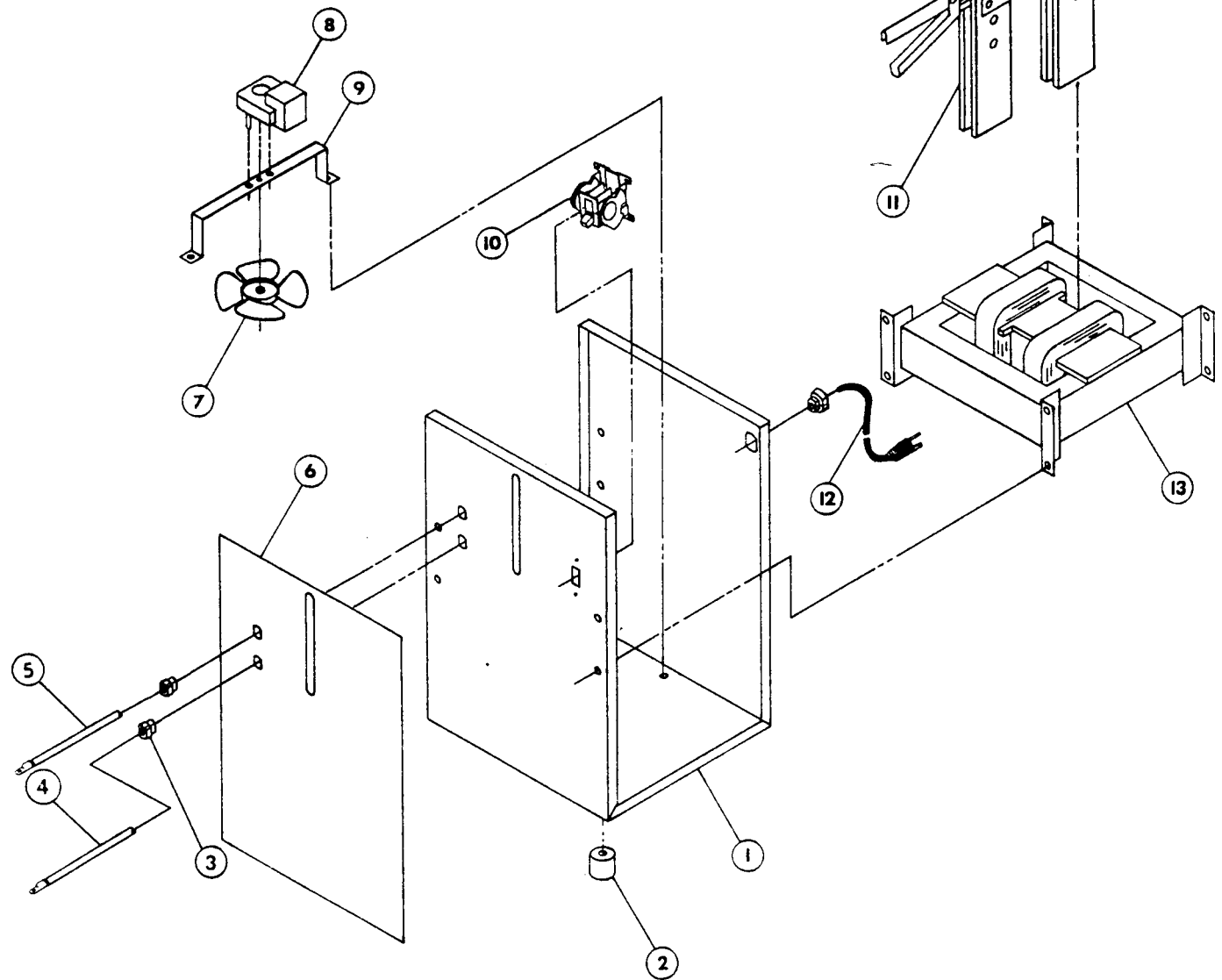


110-107

Model 110-107 Replacement Parts List

Adjustment nut
↓
Turn counter clock w. 3c



Item	Part Number	Description
1.	410-210-100	Welder Base
2.	441-022-000	Foot
3.	541-004-000	Heyco Strain Relief
4.	238-103-000	Ground Cable Assembly
5.	238-104-000	Electrode Cable Assembly
6.	711-124-030	Dial Plate
7.	316-007-000	Fan Blade
8.	216-043-000	Fan Motor
9.	411-072-000	Fan Mounting Bracket
10.	216-042-000	Switch
11.	860-390-000	Shunt Assembly
12.	248-120-000	Power Cord
13.	860-385-000	Transformer Assembly
14.	410-209-100	Cover (not shown)

SCHEMATIC DIAGRAM

