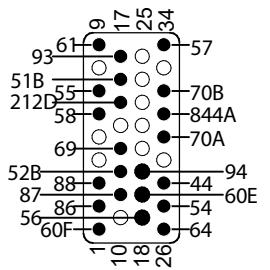


PIPELINER WIRING DIAGRAM M21564 REV: B

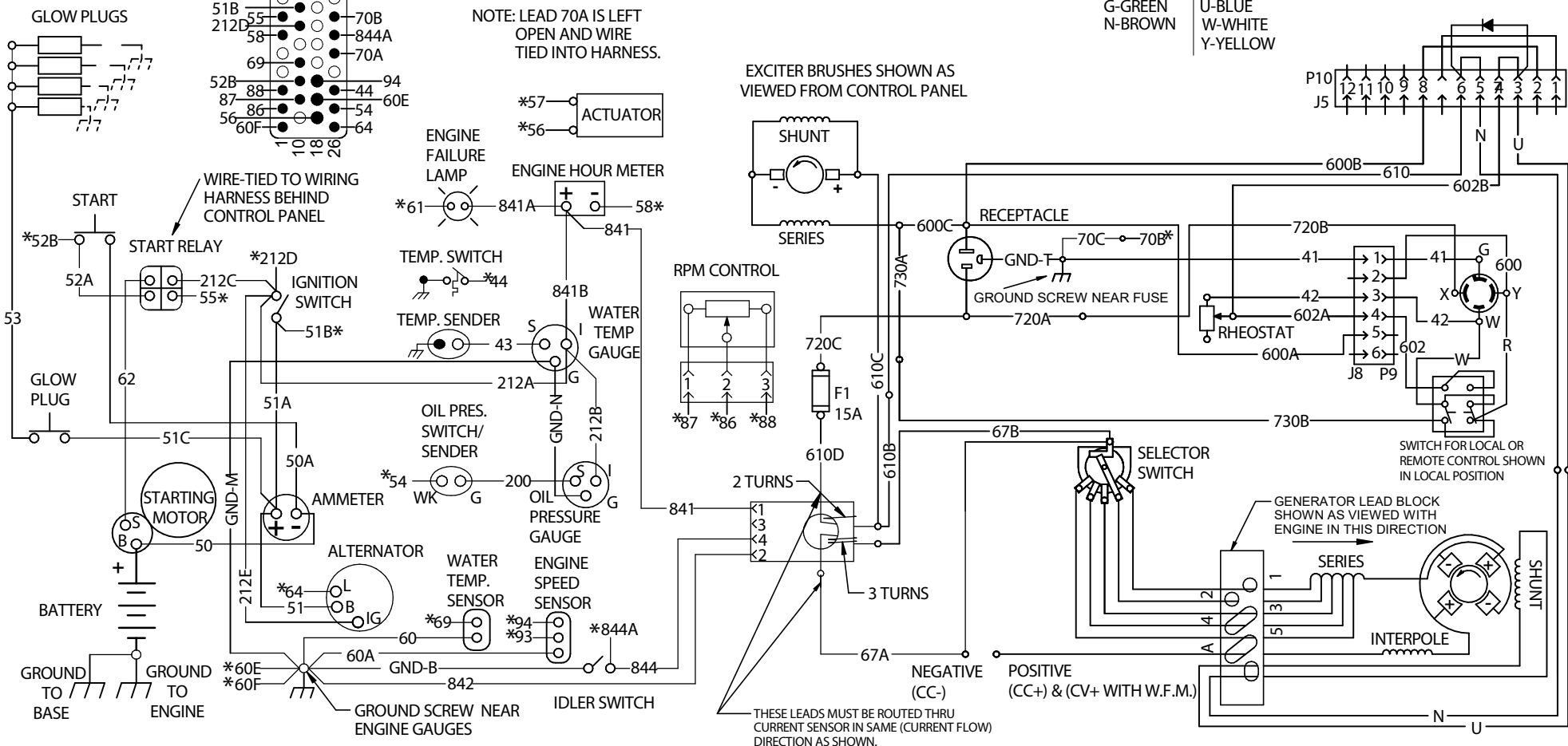
ENGINE CONTROL UNIT CONNECTOR DETAIL



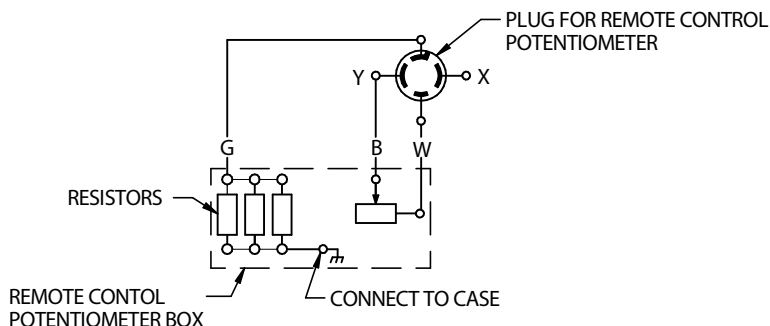
CONTROL PANEL COMPONENTS SHOWN AS VIEWED FROM REAR.

*LEADS CONNECTED TO ENGINE CONTROL UNIT, SEE DETAIL

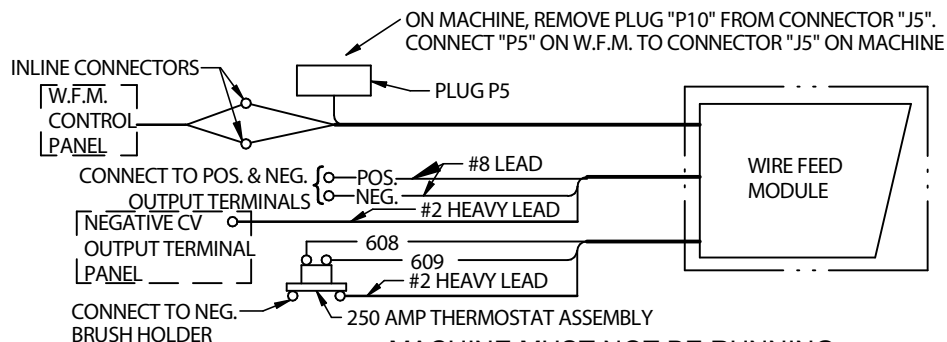
LEAD COLOR CODE	
B-BLACK OR GRAY	R-RED OR PINK
G-GREEN	U-BLUE
N-BROWN	W-WHITE
	Y-YELLOW



K924-5 REMOTE CONTROL (OPTIONAL)



WIRE FEED MODULE (OPTIONAL)



MACHINE MUST NOT BE RUNNING WHEN MAKING THESE CONNECTIONS.