

# PIPELINER WIRING DIAGRAM M22134 REV: B

## ENGINE CONTROL UNIT CONNECTOR DETAIL

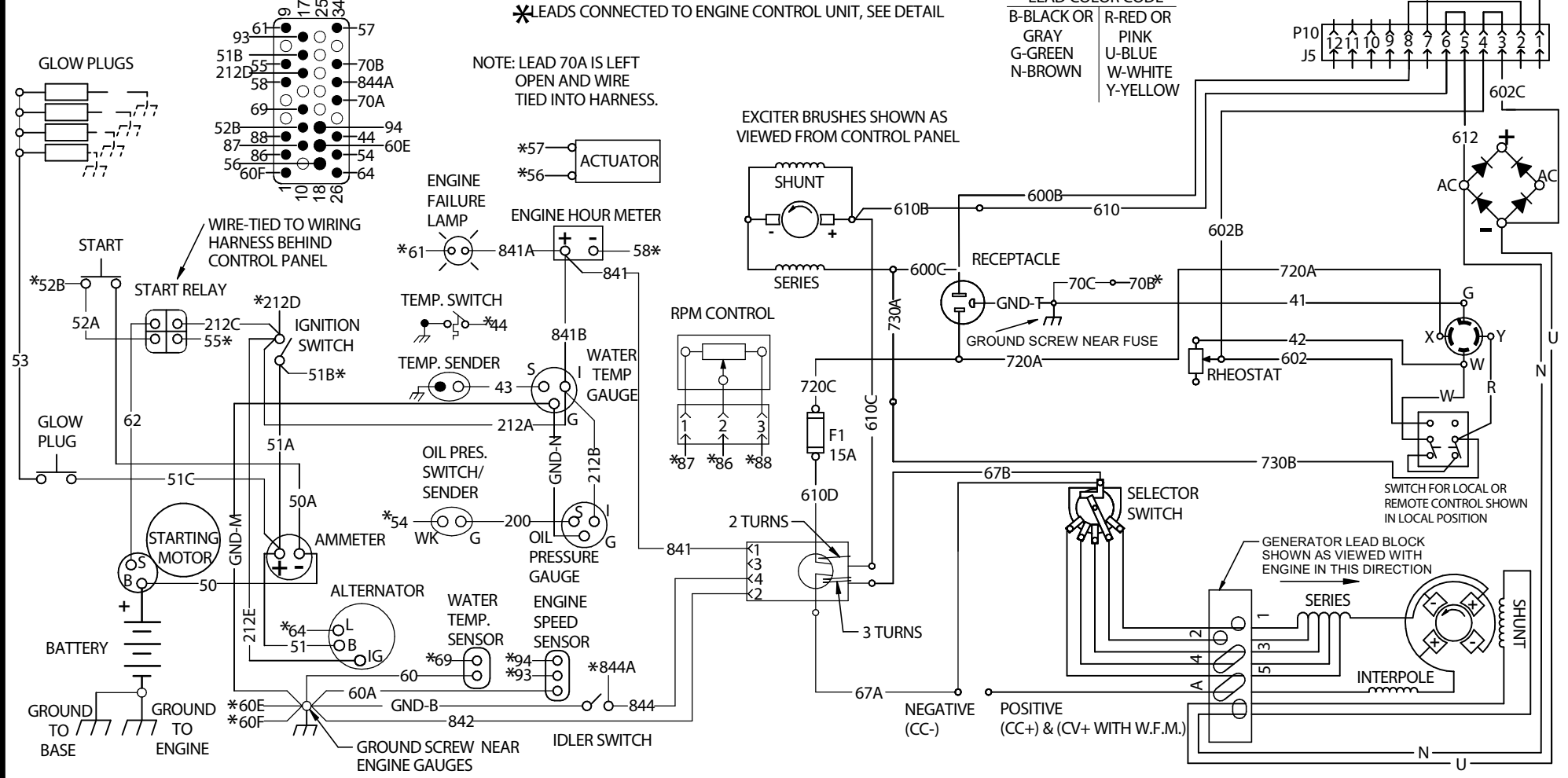
## CONTROL PANEL COMPONENTS SHOWN AS VIEWED FROM REAR.

LEAD COLOR CODE

B-BLACK OR GRAY	R-RED OR PINK
G-GREEN	U-BLUE
N-BROWN	W-WHITE
	Y-YELLOW

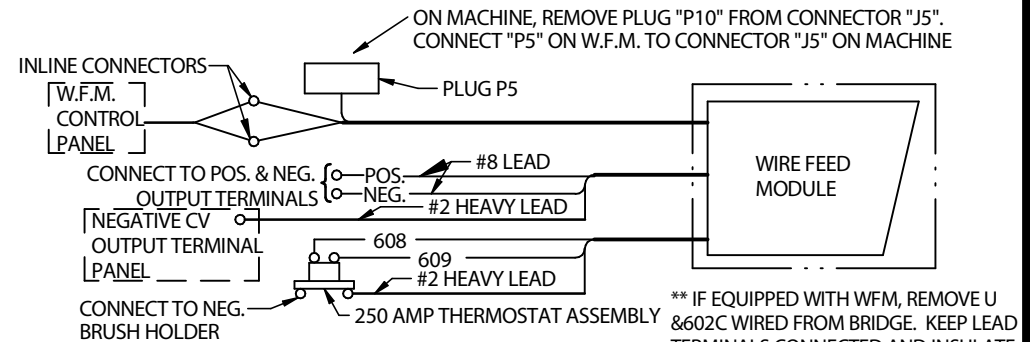
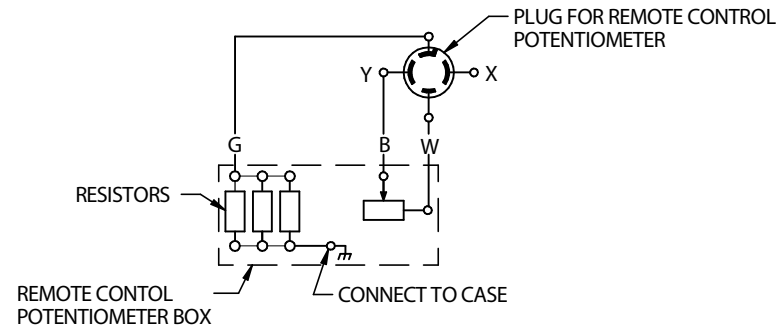
\*LEADS CONNECTED TO ENGINE CONTROL UNIT, SEE DETAIL

NOTE: LEAD 70A IS LEFT OPEN AND WIRE TIED INTO HARNESS.



## K924-5 REMOTE CONTROL (OPTIONAL)

## WIRE FEED MODULE (OPTIONAL)



\*\* IF EQUIPPED WITH WFM, REMOVE U & 602C WIRED FROM BRIDGE. KEEP LEAD TERMINALS CONNECTED AND INSULATE WITH ELECTRICAL TAPE.

MACHINE MUST NOT BE RUNNING WHEN MAKING THESE CONNECTIONS.

