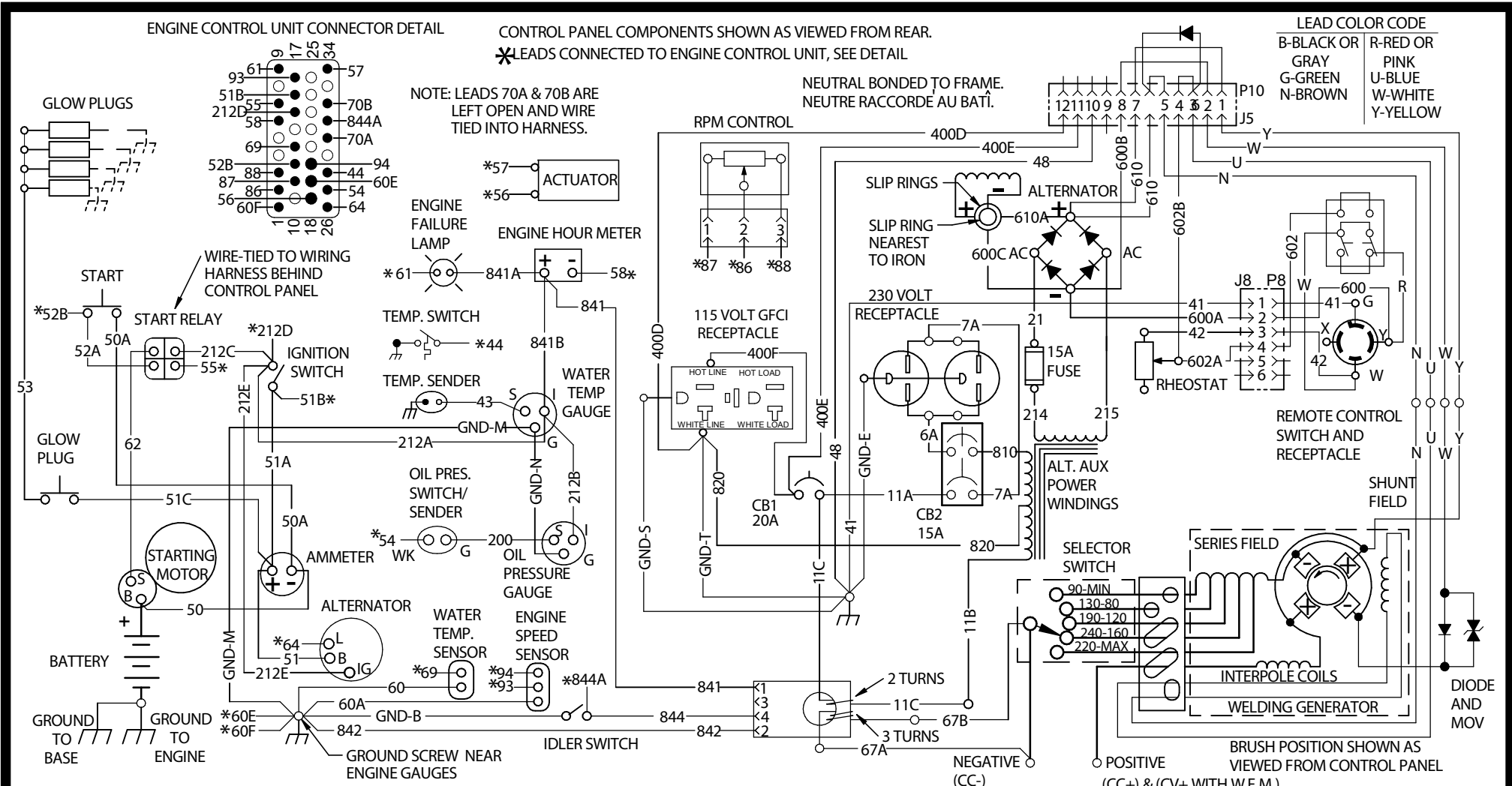
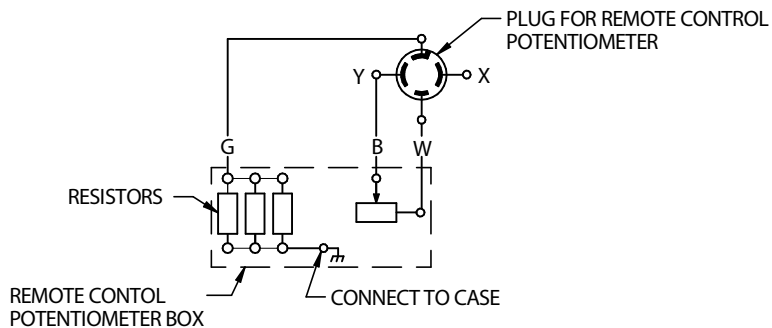


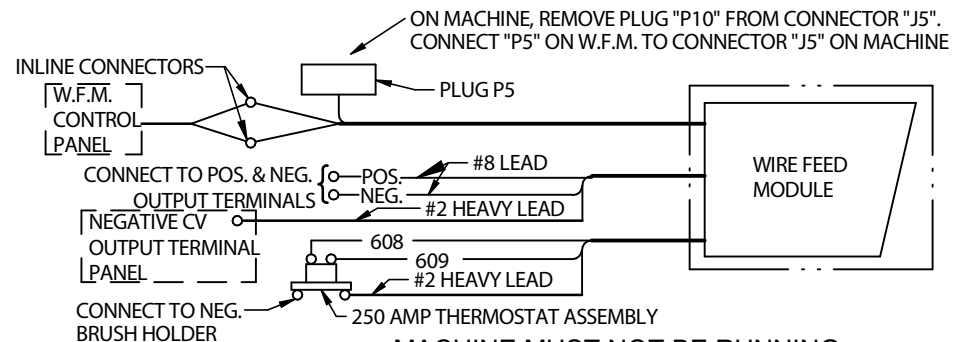
CLASSIC 300D WIRING DIAGRAM M21563 REV: A



K924-5 REMOTE CONTROL (OPTIONAL)



WIRE FEED MODULE (OPTIONAL)



MACHINE MUST NOT BE RUNNING WHEN MAKING THESE CONNECTIONS.