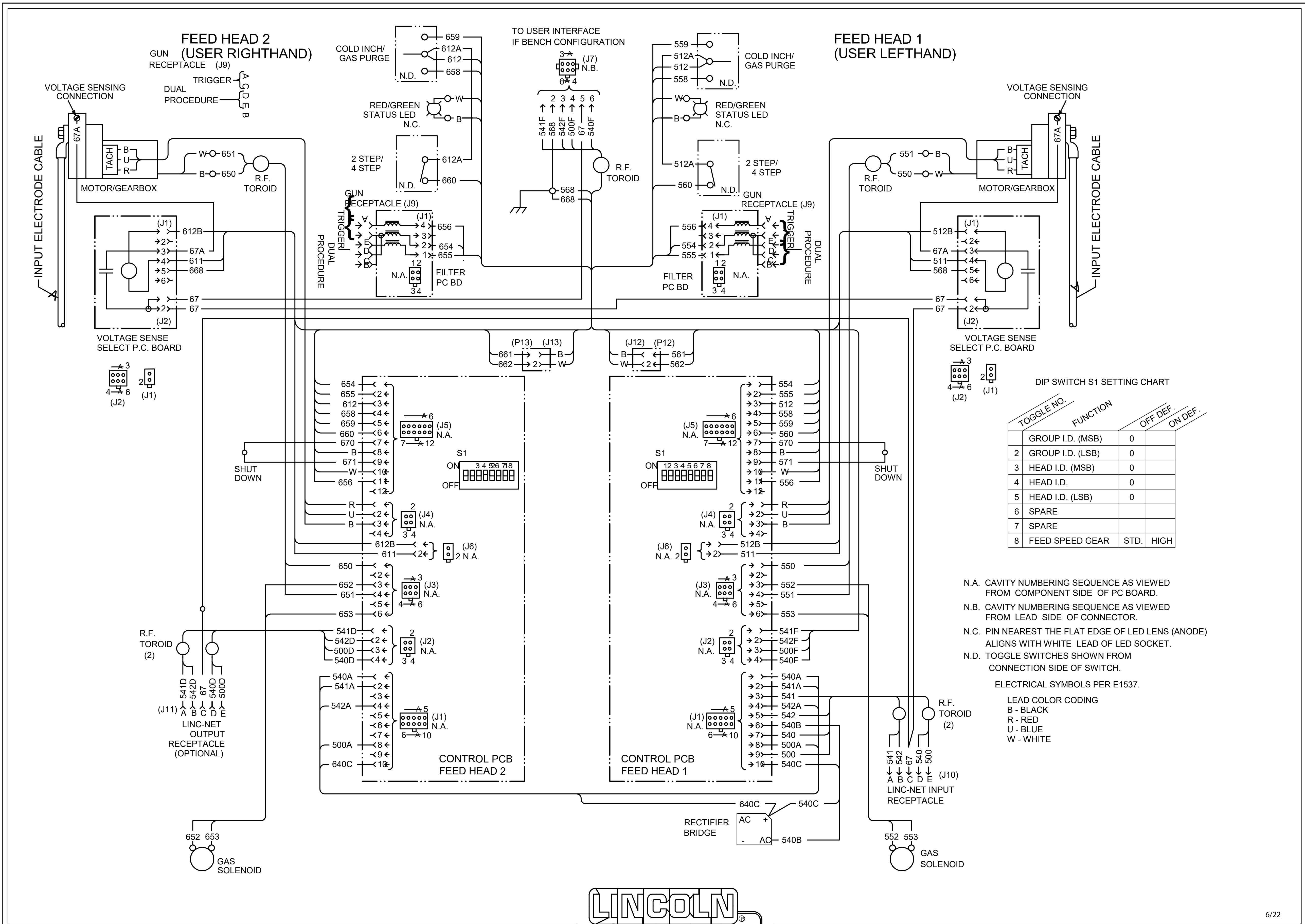


# POWER FEED 10 DUAL FEED HEAD WIRING DIAGRAM G3582 REV: B

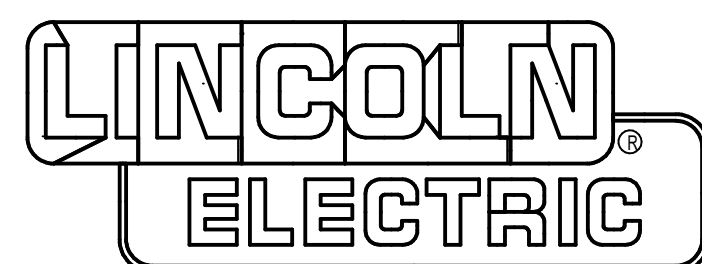


DIP SWITCH S1 SETTING CHART

TOGGLE NO.	FUNCTION	OFF DEF.	ON DEF.
1	GROUP I.D. (MSB)	0	
2	GROUP I.D. (LSB)	0	
3	HEAD I.D. (MSB)	0	
4	HEAD I.D.	0	
5	HEAD I.D. (LSB)	0	
6	SPARE		
7	SPARE		
8	FEED SPEED GEAR	STD.	HIGH

N.A. CAVITY NUMBERING SEQUENCE AS VIEWED FROM COMPONENT SIDE OF PC BOARD.  
 N.B. CAVITY NUMBERING SEQUENCE AS VIEWED FROM LEAD SIDE OF CONNECTOR.  
 N.C. PIN NEAREST THE FLAT EDGE OF LED LENS (ANODE) ALIGNS WITH WHITE LEAD OF LED SOCKET.  
 N.D. TOGGLE SWITCHES SHOWN FROM CONNECTION SIDE OF SWITCH.

ELECTRICAL SYMBOLS PER E1537.  
 LEAD COLOR CODING  
 B - BLACK  
 R - RED  
 U - BLUE  
 W - WHITE



CLEVELAND, OHIO U.S.A.