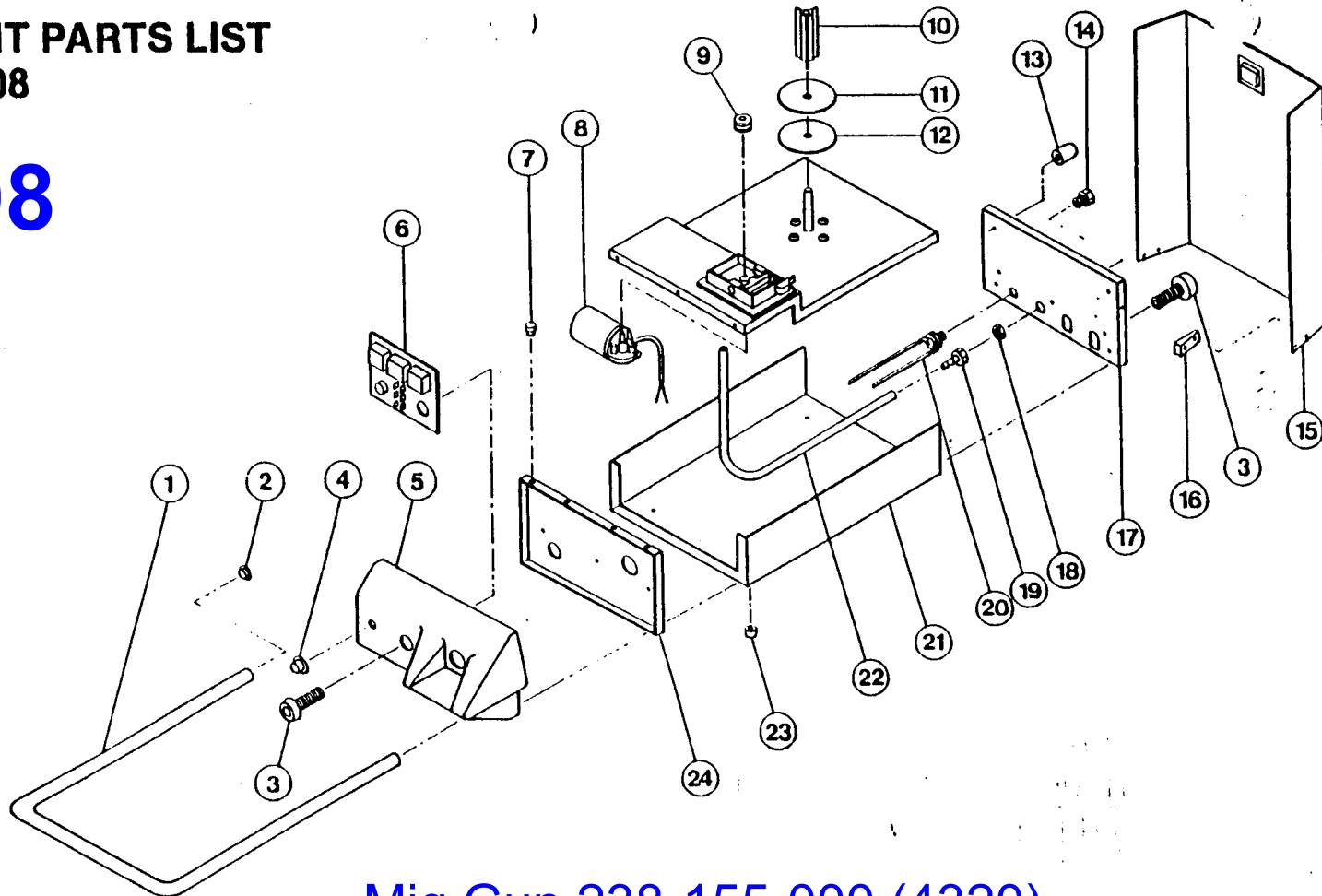


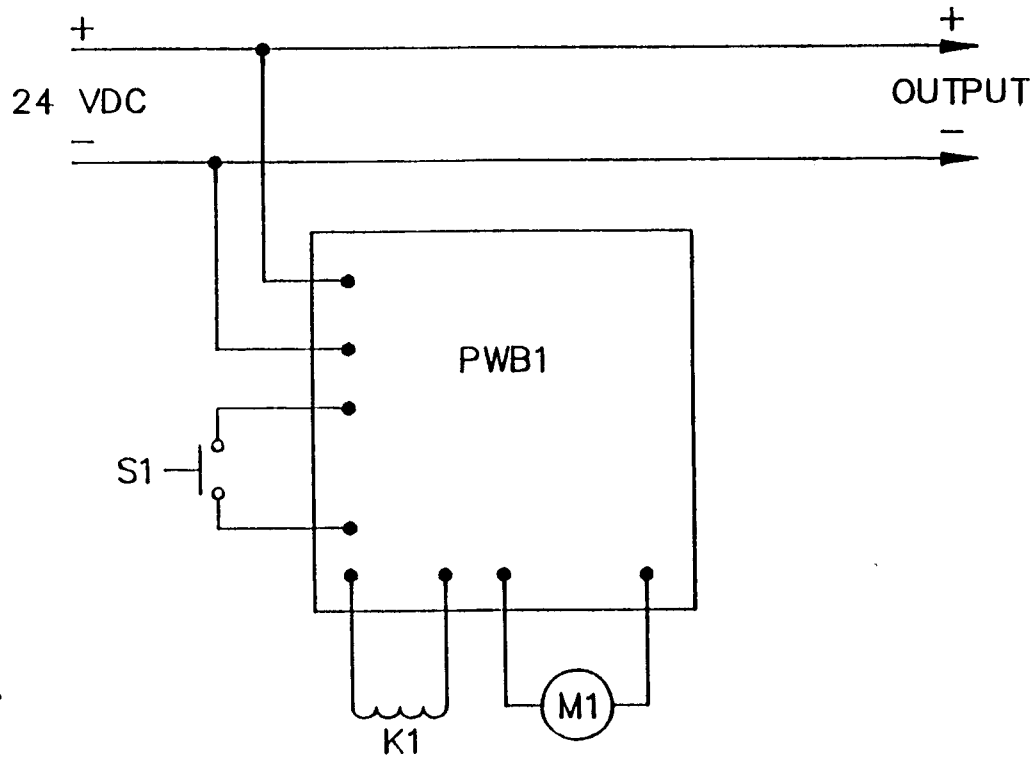
**REPLACEMENT PARTS LIST
MODEL 117-008**

117-008



Mig Gun 238-155-000 (4320)

ITEM	DESCRIPTION	PART NUMBER	ITEM	DESCRIPTION	PART NUMBER
1	Chrome Handle	412-144-000	14	Fitting, 1/8-FNPT to 1/8-MNPT	253-033-000
2	Hole Plug (handle)	541-093-000	15	Hood w/Decals and Latch	860-598-000
3	Receptacle Assembly	312-045-000	16	Hinge Block	412-143-000
4	Knob, 1-13/16" Dia.	246-105-000	17	Base, Back Panel	410-332-010
5	Nose Piece	312-043-000	18	Nut, 1/8-NPT	253-034-000
6	P.C. Board Assembly	860-661-666	19	Fitting, 1/8-FNPT to 3/16" Hose Barb	253-032-000
7	Rubber Cushion	512-035-000	20	Phone Jack Assembly	860-594-000
8	Drive Motor & Gear Box	860-581-100	21	Base	410-330-010
9	Drive Roller	310-119-000	22	Hose, 21"	059-059-000
10	Spindle Adaptor	541-083-000	23	Rubber Foot	442-009-000
11	Nylon Washer	541-066-000	24	Base, Front Panel	410-331-010
12	Steel Washer	091-032-000			
13	Rubber Foot	541-031-000			

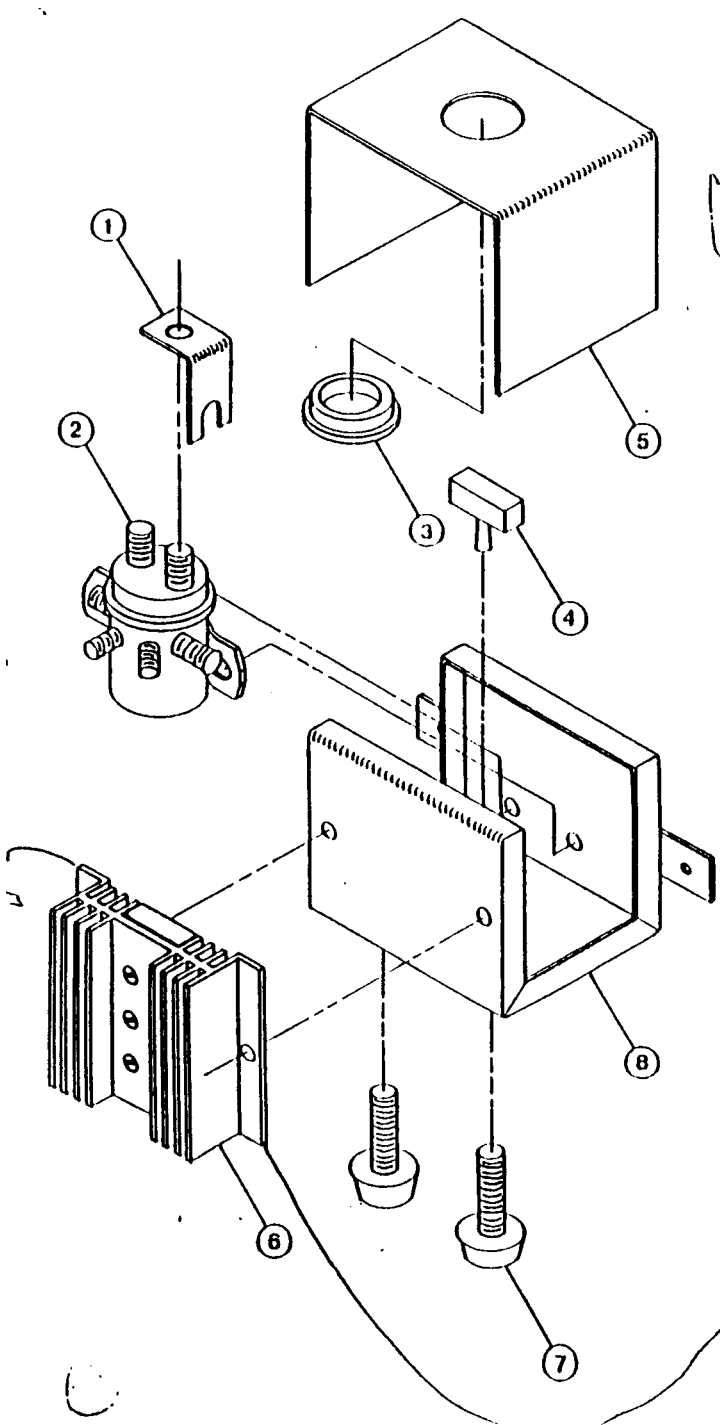


SYM	DESCRIPTION
K1	GAS SOLENOID, N/C
M1	WIRE FEED DRIVE MOTOR
PWB1	CONTROL CIRCUIT BOARD
S1	SPST, GUN TRIGGER

117-008

REPLACEMENT PARTS LIST MODEL 131-114

*Isolator For Battery Mig
(PART MIG)*



ITEM	DESCRIPTION	PART NUMBER
1	Copper Strap	218-394-000
2	Solenoid	246-111-000
3	Bushing	541-094-000
4	Toggle Switch	246-016-200
5	Cover	410-338-010
6	Isolator	244-060-000
7	Receptacle Assembly	312-045-000
8	Base Weld Assembly	860-595-010
9	Cable Assembly, 3½ ft. (Aux. Pos.)	238-143-000
10	Cable Assembly, 3½ ft. (Aux. Neg.)	238-144-000
11	Cable Assembly, 7 ft. (Main Pos.)	238-145-000
12	Cable Assembly, 7 ft. (Main Neg.)	238-140-000
13	Wire Lead, 3½ ft. (Alt. Output)	218-401-000

117-008